

Shark

Rocket® Pro Corded Stick Vacuum with Odor Neutralizer Technology

HN175 Series

OWNER'S GUIDE



IMPORTANT SAFETY INSTRUCTIONS

HOUSEHOLD USE ONLY

To reduce the risk of electric shock, this vacuum cleaner has a polarized plug (one blade is wider than the other). As a safety feature, this plug will fit into a polarized outlet only one way. If the plug does not fit fully into the outlet, reverse the plug. If it still does not fit, contact a qualified electrician. **DO NOT force into outlet or try to modify to fit.**

⚠ WARNING

TO REDUCE THE RISK OF FIRE, ELECTRIC SHOCK, OR INJURY:

GENERAL WARNINGS

When using an electrical appliance, basic precautions should always be followed, including the following:

1. Your vacuum cleaner may consist of a motorized nozzle, wand, hose, and/or vacuum pod. This device contains electrical connections, electrical wiring, and moving parts that potentially present risk to the user.
2. Use only identical replacement parts.
3. Carefully observe and follow the instructions provided below to avoid improper use of the appliance. **DO NOT** use the vacuum for any purpose other than those described in this manual.
4. Before use, carefully inspect all parts for any damage. **DO NOT** use if any parts are damaged.
5. The use of an extension cord is NOT recommended.
6. This vacuum cleaner contains no serviceable parts.

USE WARNINGS

7. This appliance can be used by persons with reduced physical, sensory or mental capabilities or lack of experience and knowledge if they have been given supervision or instruction concerning use of the appliance in a safe way and understand the hazards involved. Cleaning and user maintenance shall not be made by children. Keep the appliance and its cord out of reach of children. **DO NOT** allow the appliance to be used by children. **DO NOT** allow to be used as a toy. Close supervision is necessary when used near children.

8. Always turn off the vacuum cleaner before connecting or disconnecting any motorized nozzles or other accessories.
9. **DO NOT** handle plug or vacuum cleaner with wet hands.
10. **DO NOT** use without filters in place.
11. Only use Shark® branded filters and accessories.
12. **DO NOT** damage the power cord:
 - a) **DO NOT** pull or carry vacuum cleaner by the cord or use the cord as a handle.
 - b) **DO NOT** unplug by pulling on cord. Grasp the plug, not the cord.
 - c) **DO NOT** run the vacuum cleaner over the power cord, close a door on the cord, pull the cord around sharp corners, or leave the cord near heated surfaces.
13. **DO NOT** put any objects into nozzle or accessory openings. **DO NOT** use with any opening blocked; keep free of dust, lint, hair, and anything that may reduce airflow.
14. **DO NOT** use if nozzle or accessory airflow is restricted. If the air paths or the motorized floor nozzle become blocked, turn the vacuum cleaner off and unplug from electrical outlet. Remove all obstructions before you plug in and turn on the unit again.
15. Keep nozzle and all vacuum openings away from hair, face, fingers, uncovered feet, or loose clothing.
16. **DO NOT** use if vacuum cleaner is not working as it should, or has been dropped, damaged, left outdoors, or dropped into water.

SAVE THESE INSTRUCTIONS

READ ALL INSTRUCTIONS BEFORE USE

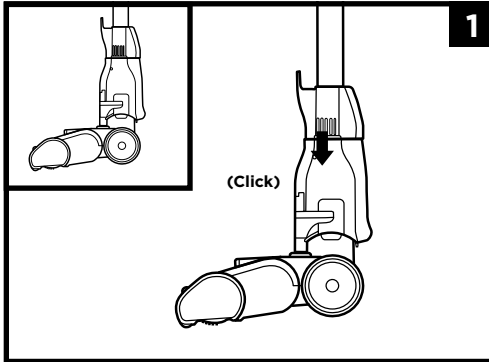
17. Use extra care when cleaning on stairs.
18. **DO NOT** leave the vacuum cleaner unattended while plugged in.
19. When powered on, keep the vacuum cleaner moving over the carpet surface at all times to avoid damaging the carpet fibers.
20. **DO NOT** place vacuum cleaner on unstable surfaces such as chairs or tables.
21. Your Shark® vacuum may not be designed to stand up on its own. When taking a break from cleaning, you may need to lean it against furniture or a wall, or lay it flat on the floor. Using the vacuum for an application where the unit lacks stability may result in personal injury.
22. **DO NOT** use to pick up:
 - a) Liquids
 - b) Large objects
 - c) Hard or sharp objects (glass, nails, screws, or coins).
 - d) Large quantities of dust (drywall dust, fireplace ash, or embers). **DO NOT** use as an attachment to power tools for dust collection.
 - e) Smoking or burning objects (hot coals, cigarette butts, or matches).
 - f) Flammable or combustible materials (lighter fluid, gasoline, or kerosene).
 - g) Toxic materials (chlorine bleach, ammonia, or drain cleaner).
23. **DO NOT** use in the following areas:
 - a) Poorly lit areas
 - b) Wet or damp surfaces
 - c) Outdoor areas
 - d) Spaces that are enclosed and may contain explosive or toxic fumes or vapors (lighter fluid, gasoline, kerosene, paint, paint thinners, mothproofing substances, or flammable dust).
24. Turn off all controls before plugging in or unplugging the vacuum.
25. Observe the following when interacting with the odor neutralizing cartridge:
 - a) **DO NOT** attempt to disassemble odor neutralizing cartridge.
 - b) Avoid direct contact with the fragrance pod in the cartridge.
 - c) **DO NOT** directly inhale from the odor neutralizing cartridge.
 - d) Keep away from children and pets.
 - e) Keep away from heat, sparks, and open flame.
 - f) **DO NOT** place in direct sunlight.

FRAGRANCE CARTRIDGE FIRST AID

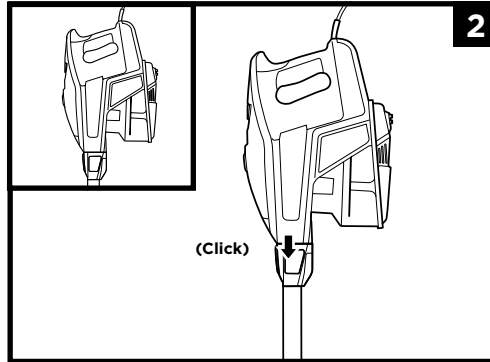
- g) Avoid contact with fabrics and finished surfaces.
- h) Eye contact: Remove contact lenses if present. Rinse continuously with water for several minutes.
- i) Skin contact: Wash hands thoroughly after handling. If irritation or rash develops, seek medical advice/attention.
- j) Inhalation: Move person to fresh air if they are experiencing any respiratory symptoms. If symptoms persist, seek medical advice/attention.
- k) Ingestion: **DO NOT** induce vomiting. Seek medical advice/attention.

26. Unplug from electrical outlet when not in use and before any maintenance or cleaning.
27. Hand wash with water only. Washing with cleaning chemicals could damage the unit.
28. During cleaning or routine maintenance, **DO NOT** cut anything other than hair, fibers, or string wrapped around the brushroll.
29. Allow all filters to air-dry completely before replacing in the vacuum to prevent liquid from being drawn into electric parts.
30. Make sure the dust cup and all filters are in place after routine maintenance.
31. If provided, secure the power cord around the two cord hooks during storage.

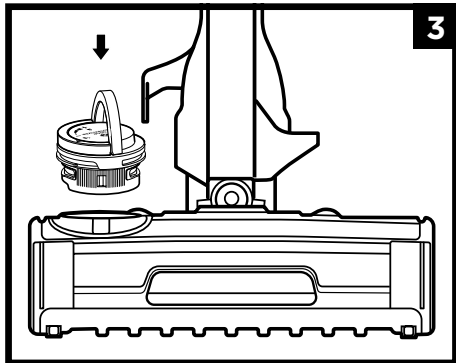
ASSEMBLY



1. Insert **Wand** into **Floor Nozzle**.

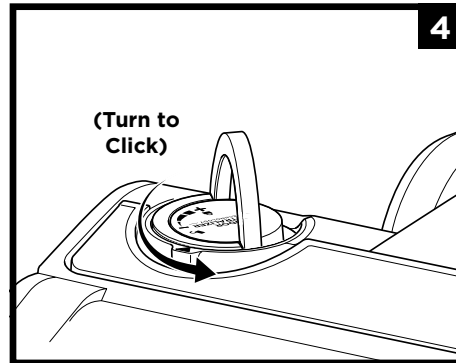


2. Insert **Handheld Vacuum** into wand.
Ensure all connections click securely into place.



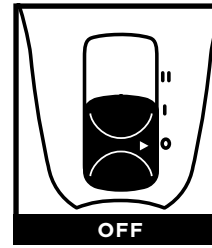
3. Remove **Odor Neutralizer Technology Dial** from bag. Flip up the dial handle, align the teal arrows, then insert the dial into the nozzle.

* More detailed Odor Neutralizer Technology assembly instructions and visuals on the following two pages.

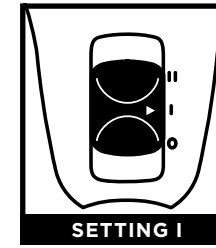


4. To lock and engage the dial, rotate it counterclockwise until it clicks into the desired odor intensity setting.

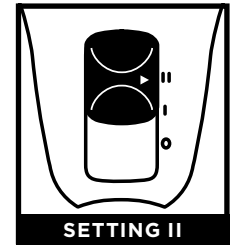
SETTINGS



OFF
Slide switch to the bottom to turn off power. To begin vacuuming, slide switch to the appropriate setting.



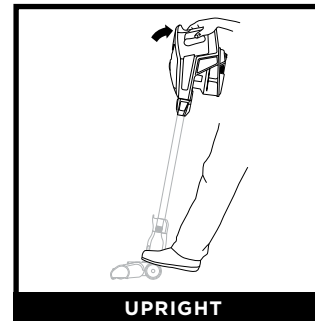
SETTING I
Bare Floor/Small Area Rugs
The brushroll spins slowly to clean bare floors and small area rugs.



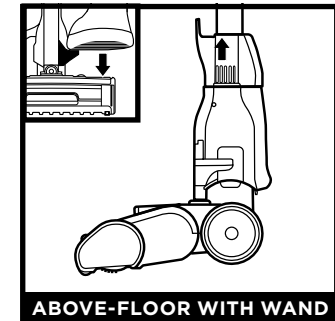
SETTING II
Carpet
The brushroll spins faster to pick up debris below the surface of your carpets.

NOTE: For deep cleaning per ASTM F 608 (embedded dirt in carpets) please use setting II, Carpet.
NOTE: Select Carpet for stuck-on dust and debris.

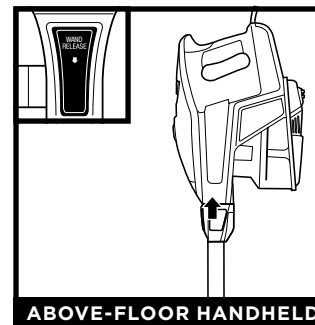
CLEANING MODES



UPRIGHT
To clean floors, step on floor nozzle and tilt handheld vacuum back.



ABOVE-FLOOR WITH WAND
Detach the wand for more reach to clean baseboards, ceiling fans, window sills, and other hard-to-access areas. Stand the vacuum upright, then step on the foot pedal on the side of the floor nozzle and pull the wand up to detach it.

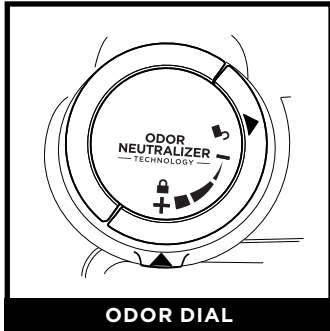


ABOVE-FLOOR HANDHELD
Press the **WAND RELEASE** button to lift the handheld vacuum off the wand. Great for cleaning stairs and furniture.

NOTE: All accessories are compatible with both the wand and the handheld vacuum.

ODOR TECHNOLOGY SETTINGS

SETTINGS



ODOR DIAL

Flip up the dial handle and rotate the odor dial to adjust Odor Neutralizer Technology intensity or to unlock the dial for cartridge access.

Insertion/Removal: Rotate the odor dial to align the teal arrows. Remove the dial to access the odor cartridge for removal or replacement.

Low: Rotate the dial toward the Low position to decrease the intensity to the lowest level when the vacuum is in use.

High: Rotate the dial toward the High position for the highest intensity level when the vacuum is in use. This position is the recommended setting for optimal performance.

ODOR NEUTRALIZER TECHNOLOGY TIPS

Odor Dial Must be Installed for Vacuum to Function Properly

- Remove odor cartridge from dial if you don't want the benefits of the odor neutralization technology.

Maintenance Required

- Clean all filters as recommended under Cleaning Filters.
- Empty the dust cup before storing your vacuum.
- Replace the cartridge as recommended under Odor Cartridge Replacement.
- Visit qr.sharkclean.com/odortech to learn more and purchase replacements.
- If wet pet messes are cleaned up, thoroughly clean the vacuum.

Fragrance Strength Over Time

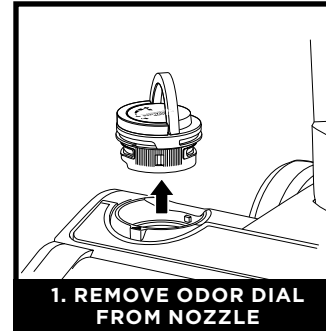
- The intensity of the Odor Neutralizer Technology's fragrance may diminish over time. It may also have no noticeable fragrance at all. This is natural and does not indicate the technology isn't working. Follow replacement instructions to ensure continued performance.

NOTES:

- The odor dial needs to be installed for the vacuum to function properly, with or without the odor cartridge.
- Odor Neutralizer Technology effectively deodorizes while interacting with odors from inanimate sources.

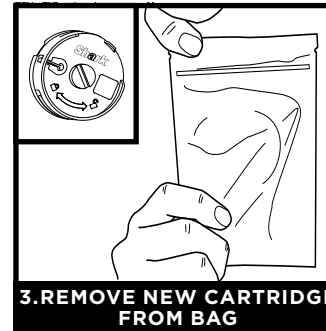
ODOR NEUTRALIZER TECHNOLOGY

ODOR CARTRIDGE REPLACEMENT



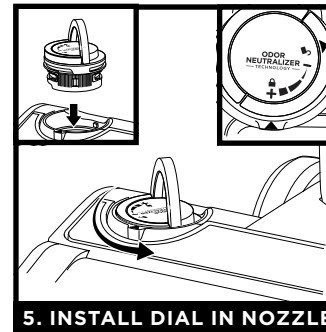
1. REMOVE ODOR DIAL FROM NOZZLE

Flip up the handle and rotate the dial clockwise until the two teal arrows are aligned. Pull the handle to remove the dial from the nozzle.



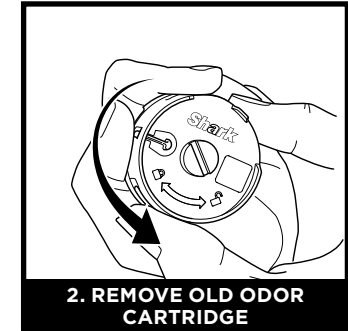
3. REMOVE NEW CARTRIDGE FROM BAG

Remove the new odor cartridge from the sealed packaging. To maintain the life of the cartridge, keep it in the sealed packaging until you are ready to install it.



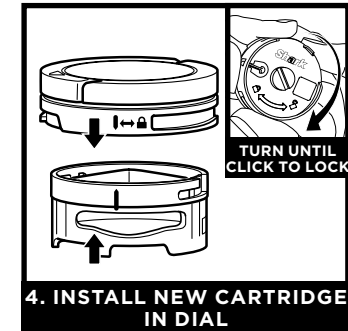
5. INSTALL DIAL IN NOZZLE

Align the teal arrow on the dial cover with the teal arrow on the nozzle, then reinsert the dial into the nozzle. Rotate the dial counterclockwise until it clicks into an intensity setting to engage. Rotate further to change the intensity setting.



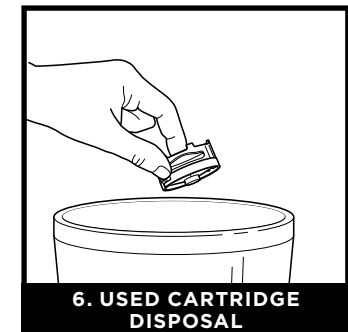
2. REMOVE OLD ODOR CARTRIDGE

Rotate the cartridge counterclockwise in the dial housing and pull out the cartridge to remove it.



4. INSTALL NEW CARTRIDGE IN DIAL

Align the yellow arrow on the side of the cartridge with the yellow arrow on the side of the dial cover, then insert the cartridge into the dial. Rotate the cartridge clockwise to lock it in place.



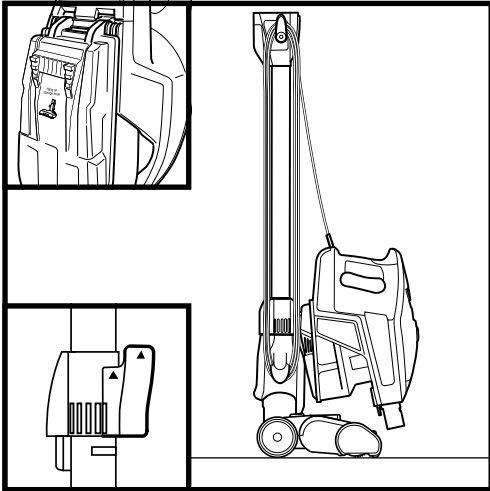
6. USED CARTRIDGE DISPOSAL

Dispose of the old cartridge by dropping it into the trash.

NOTE: Odor cartridges should be replaced every 6 months for optimal odor neutralizer technology performance.

STORAGE

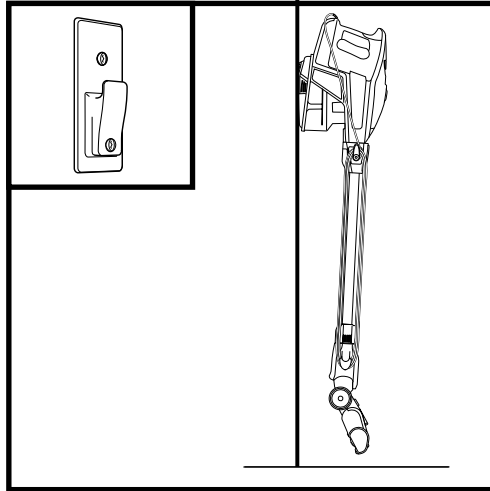
ONBOARD HOOK



For easy storage, hang the handheld vacuum from the storage hook on the bottom of the wand.

Press the **WAND RELEASE** button to detach the handheld vacuum, and hang the hand vac from the hook. Wrap the cord around the two cord hooks. Start with the top hook, and leave a little slack in the cord.

WALL MOUNT



For convenient storage above the floor, a wall mount is available for purchase on sharkaccessories.com. It comes with hardware and an instruction sheet with a mounting template.

AVAILABLE ACCESSORIES

NOTE: Not all accessories come with all units. For a list of the accessories included with this model, see the top inside flap of the box. To order additional accessories, visit sharkaccessories.com.

A Crevice Tool

Clean in corners and other tight spaces or reach baseboards and ceilings with this slim crevice tool.

B Anti-Allergen Dust Brush

This brush features nylon fiber bristles specifically designed for removing fine dust and allergen particles from the most delicate surfaces.

C Upholstery Tool

Picks up pet hair, dust, and large debris from mattresses, couches, curtains, and other delicate upholstered fabrics.

D Pet Multi-Tool

A single convertible tool for cleaning tough pet messes two ways: use the stiff bristle brush to clean stuck-on debris, or take off the bristles to reveal an upholstery tool perfect for removing stubborn pet hair and large piles of debris.

E Duster Crevice Tool

Two cleaning tools in one. The crevice tool gives you extended reach to clean in tight spaces, while the soft brush is ideal for dusting delicate surfaces.

F Pet Crevice Tool

This versatile, slender 8" tool removes pet hair from hard-to-reach spaces like corners, ceilings, and between couch cushions.

G Mini Motorized Brush

Powered by a motor, this small brush removes the clingiest pet hair and extracts dirt, dust, dander, and allergens from deep inside pillows, upholstery, and carpets.

H Under-Appliance Wand

Clean under and behind hard-to-move appliances and furniture with this adjustable 36" tool. Flip the extension piece over to clean the underside of appliances.

I Home & Car Detail Kit

Deep-clean your car like a professional detailer, or clean hard-to-reach areas in your home. Micro-sized tools let you clean around delicate objects and access the tightest spaces like car vents and computer keyboards.

J Large Accessory Bag

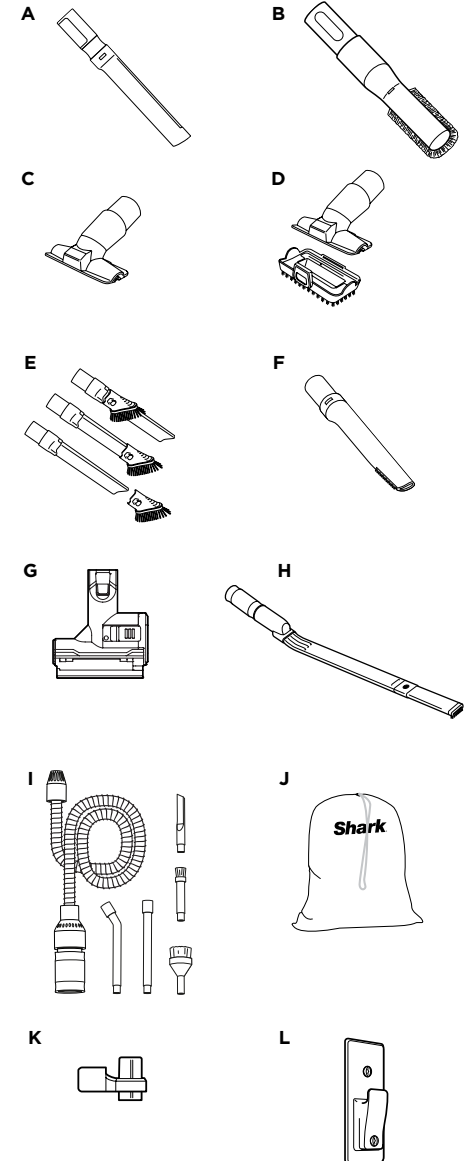
This convenient accessory storage bag measures 32 cm x 70 cm and fits the Under-Appliance Wand. Smaller size available at sharkaccessories.com

K Onboard Storage Clip

This removable clip attaches to your vacuum and can store two accessories at a time, so they're handy when you need them.

L Wall Mount

Install the mount to hang your vacuum on the wall for convenient storage. Includes screws, anchors, and instruction sheet with mounting template for easy installation.

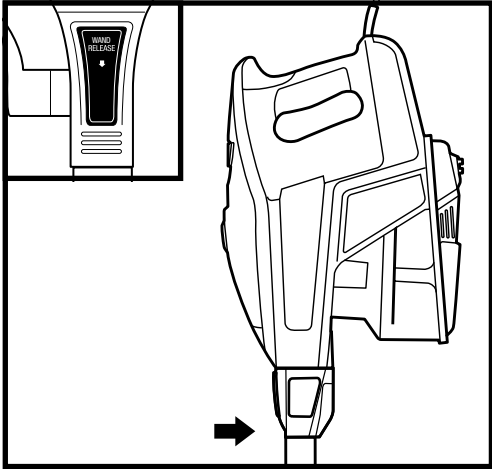


MAINTENANCE

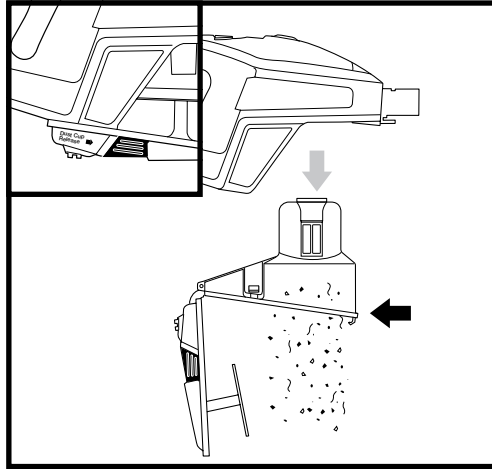
IMPORTANT: Unplug the vacuum before performing any maintenance.

EMPTYING THE DUST CUP

Empty the dust cup each time you vacuum and periodically during cleaning, when debris in the dust cup reaches the MAX fill line.

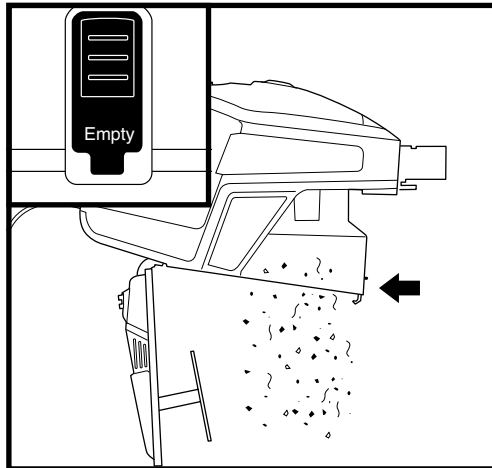


Press the **WAND RELEASE** button and lift the handheld vacuum off the wand.



To remove the dust cup from the handheld vacuum, squeeze the two **Dust Cup Release** buttons at the same time and pull out the dust cup. Hold the dust cup over the trash, then press the Empty button to release dirt and debris.

OR



With the dust cup attached to the handheld vacuum, hold the handheld vacuum over the trash, then press the Empty button on the dust cup to release dirt and debris.

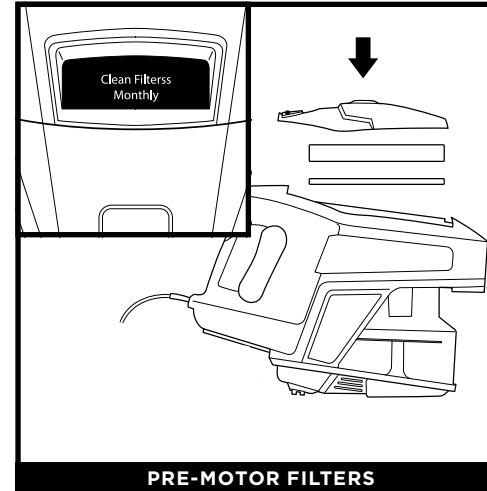
MAINTENANCE

IMPORTANT: Unplug the vacuum before performing any maintenance.

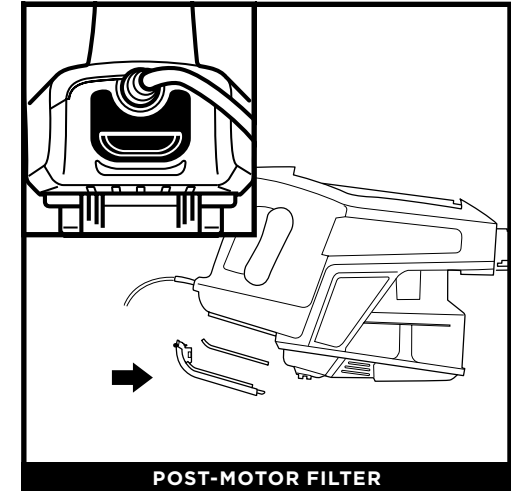
CLEANING FILTERS

Regularly clean and replace the filters to keep your vacuum's suction power optimal.

IMPORTANT: To prevent damage, rinse filters with water **ONLY**. **DO NOT** use soap. Allow filters to air-dry for at least 24 hours before reinstalling them to prevent liquid from being drawn into electric parts.



Open the lid on the top of the handheld vacuum to lift out the pre-motor filters. The **Pre-Motor Filters** should be washed once a month.



To remove the post-motor filter, open the filter cover on the handheld vacuum and pull out the filter. The **Post-Motor Filter** should be washed once every year.

REPLACEMENT FILTERS

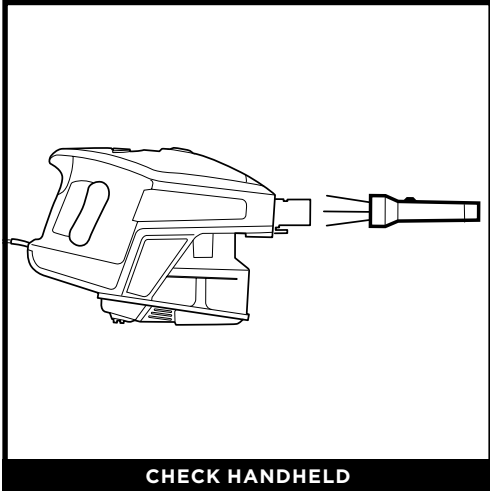
Replacement Pre-Motor Filter Kit
XPMFK320

Replacement Post-Motor Filter
1084FTV320

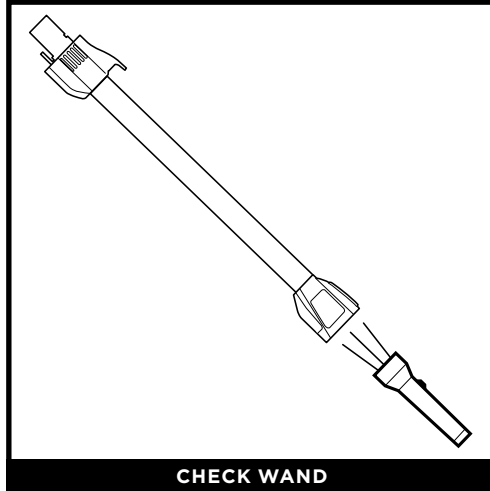
NOTE: The pre-motor filters should be replaced every 2.5 years. The post-motor filter should be replaced every 3 years.

MAINTENANCE

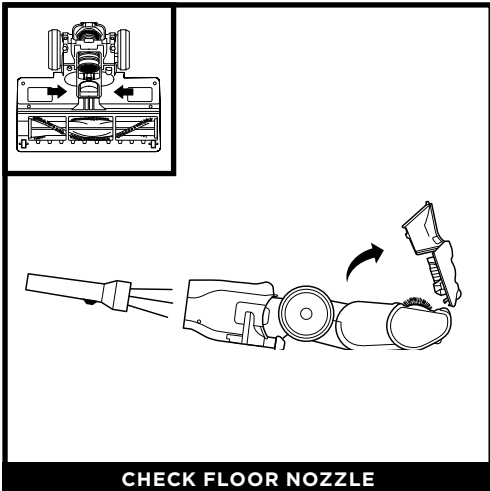
CHECKING FOR BLOCKAGES



Remove the wand from the handheld vacuum and check all dust cup intake openings.



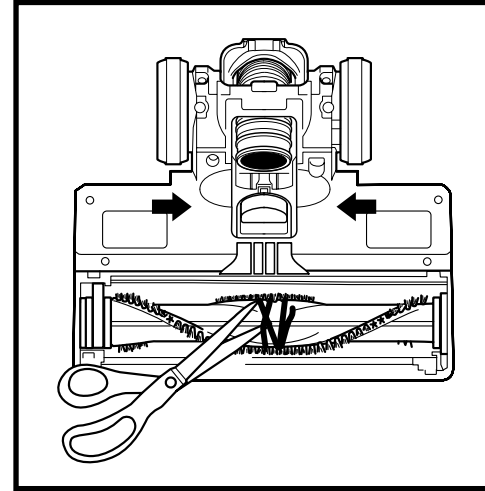
Detach the wand and check it for blockages.



Detach the wand from the nozzle. Turn nozzle over and tilt back the debris intake. Check intake and all nozzle openings, and remove any blockages. To close the cover, push down until it clicks into place.

MAINTENANCE

CLEANING THE BRUSHROLL



Run scissors along the groove in the brushroll to cut or clear away any string, carpet fibers, hair, or other debris.

To close the cover, push down until it clicks into place.

TROUBLESHOOTING

Vacuum is not picking up debris. No suction or light suction. (Refer to Maintenance section for more information.)

- Check filters to see if they need cleaning. Follow instructions for rinsing and completely air-drying the filters before reinserting them in the vacuum.
- Dust cup may be full; empty dust cup.
- Check floor nozzle for blockages; clear blockages if required.
- Remove any string, carpet fibers, or hair that may be wrapped around the brushroll.

Vacuum lifts area rugs.

- Suction is powerful. Take care when vacuuming area rugs or rugs with delicately sewn edges.
- Turn off the unit to disengage the brushroll. To restart, slide the power switch to setting I, Bare Floor/Small Area Rugs.

Brushroll does not spin.

- If the brushroll is not spinning, that could mean there is a blockage in the brushroll area. Immediately turn off the vacuum, unplug it, and remove the blockage. When all blockages have been cleared, plug in the vacuum and turn it back on.
- If the brushroll is spinning, then the blockage has been successfully cleared. If the brushroll is still not spinning, please contact Customer Service at 1-800-798-7398.

Vacuum turns off on its own.

If your vacuum overheats, the thermostat will automatically turn off the motor. Perform the following steps to restart:

1. Turn vacuum off and unplug it.
2. Empty dust cup and clean filters (see Maintenance section).
3. Check for blockages in wand, accessories, and inlet openings.
4. Allow unit to cool for a minimum of 60 minutes.
5. Plug in vacuum and turn it on.

Vacuum is emitting air that smells bad.

- Dust cup may be full; empty dust cup.
- Empty the dust cup after each use for optimal odor neutralization.
- To help prevent bad odors, empty the dust cup after each use.
- Check filters to see if they need cleaning. Follow instructions for rinsing and air-drying the filters before re-installing them.
- Check to make sure odor neutralizer cartridge is installed into the nozzle.
- Check the odor neutralizer dial on the nozzle to see what setting is enabled.
- If in Low to High setting and odor cartridge has been installed for 6 months or longer, consider replacing it.
- If the neutralizer is still emitting a scent but you dislike it, consider turning the intensity down, or reinstall the dial in the nozzle without the cartridge.
- If the neutralizer is not emitting a scent, consider replacing it.

Shark | NINJA

FIVE (5) YEAR LIMITED WARRANTY

The Five (5) Year Limited Warranty applies to purchases made from authorized retailers of **SharkNinja Operating LLC**. Warranty coverage applies to the original owner and to the original product only and is not transferable.

SharkNinja warrants that the unit shall be free from defects in material and workmanship for a period of five (5) years from the date of purchase when it is used under normal household conditions and maintained according to the requirements outlined in the Owner's Guide, subject to the following conditions and exclusions:

What is covered by this warranty?

1. The original unit and/or non-wearable components deemed defective, in SharkNinja's sole discretion, will be repaired or replaced up to five (5) years from the original purchase date.
2. In the event a replacement unit is issued, the warranty coverage ends six (6) months following the receipt date of the replacement unit or the remainder of the existing warranty, whichever is later. SharkNinja reserves the right to replace the unit with one of equal or greater value.

What is not covered by this warranty?

1. Normal wear and tear of wearable parts (such as foam filters, HEPA filters, pads, etc.), which require regular maintenance and/or replacement to ensure the proper functioning of your unit, are not covered by this warranty. Replacement parts are available for purchase at sharkaccessories.com.
2. Any unit that has been tampered with or used for commercial purposes.
3. Damage caused by misuse (e.g., vacuuming up water or other liquids), abuse, negligent handling, failure to perform required maintenance (e.g., not cleaning the filters or not removing debris from the brushroll) or damage due to mishandling in transit.
4. Consequential and incidental damages.
5. Defects caused by repair persons not authorized by SharkNinja. These defects include damages caused in the process of shipping, altering, or repairing the SharkNinja product (or any of its parts) when the repair is performed by a repair person not authorized by SharkNinja.
6. Products purchased, used, or operated outside North America.

How to get service

If your appliance fails to operate properly while in use under normal household conditions within the warranty period, visit sharkclean.com/support for product care and maintenance self-help. Our Customer Service Specialists are also available at **1-800-798-7398** to assist with product support and warranty service options, including the possibility of upgrading to our VIP warranty service options for select product categories. So we may better assist you, please register your product online at registryyourshark.com and have the product on hand when you call.

SharkNinja will cover the cost for the customer to send in the unit to us for repair or replacement. A fee of \$25.95 (subject to change) will be charged when SharkNinja ships the repaired or replacement unit.

How to initiate a warranty claim

You must call **1-800-798-7398** to initiate a warranty claim. You will need the receipt as proof of purchase. We also ask that you register your product online at registryyourshark.com and have the product on hand when you call, so we may better assist you. A Customer Service Specialist will provide you with return and packing instruction information.

How state law applies

This warranty gives you specific legal rights, and you also may have other rights that vary from state to state. Some states do not permit the exclusion or limitation of incidental or consequential damages, so the above may not apply to you.

REGISTER YOUR PURCHASE



registeryourshark.com



Scan QR code using
mobile device



RECORD THIS INFORMATION

Model Number: _____

Date Code: _____

Date of Purchase: _____
(Keep receipt)

Store of Purchase: _____

TECHNICAL SPECIFICATIONS

Voltage: 120V, 60Hz

Watts: 500W

Benefits of registering your product and creating an account:

- Get easier, faster product support and access to warranty information
- Access troubleshooting and product care instructions
- Be among the first to know about exclusive product promotions

TIP: The model number is on the rating label behind the dust cup.

TIP: The date code is on one of the prongs of the power cord plug.

NOTES

NOTES

NOTES

PLEASE READ CAREFULLY AND KEEP FOR FUTURE REFERENCE.

This Owner's Guide is designed to help you get a complete understanding of your new Shark® Rocket® Pro Corded Stick Vacuum with Odor Neutralizer Technology.

SharkNinja Operating LLC
US: Needham, MA 02494
CAN: Ville St-Laurent, QC H4S 1A7
1-800-798-7398
sharkclean.com

Illustrations may differ from actual product. We are constantly striving to improve our products; therefore the specifications contained herein are subject to change without notice.

This product may be covered by one or more U.S. patents. See sharkninja.com/patents for more information.

