

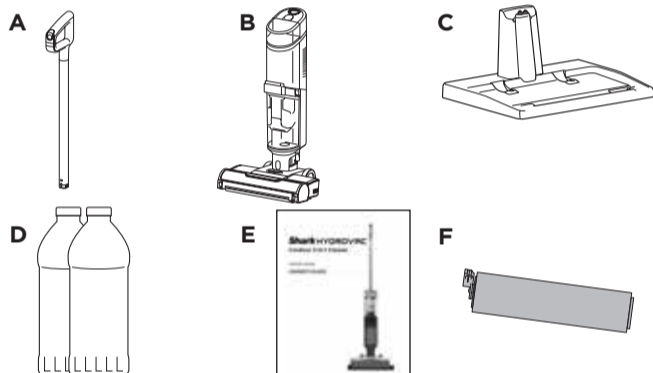
Shark HYDROVAC™ Cordless 3-in-1 Cleaner

AW201 SERIES QUICK START GUIDE

Please be sure to read the enclosed Shark® Owner's Guide prior to using your unit.

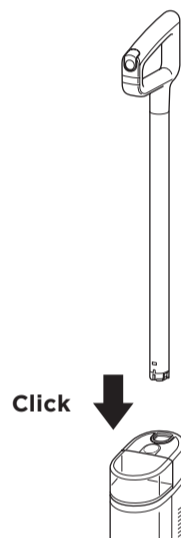
WHAT'S INSIDE

- A Handle and Pole
 - B Main Body
 - C Charging Dock
 - D Shark Hydrovac™ Multi-Surface Concentrate
 - E Owner's Guide
 - F Additional Brushroll



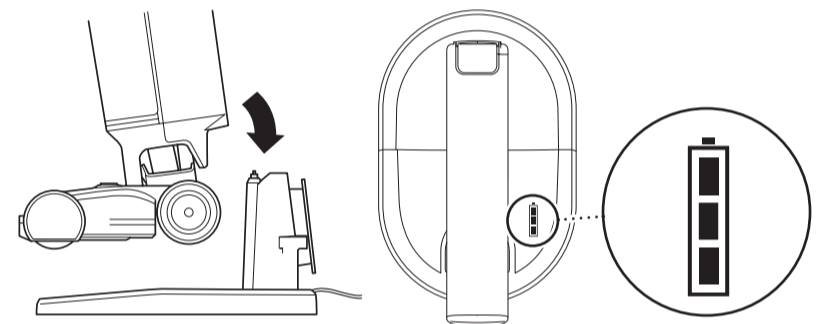
ASSEMBLY

- Align the pole with the opening in the Main Body and insert firmly until it clicks into place.



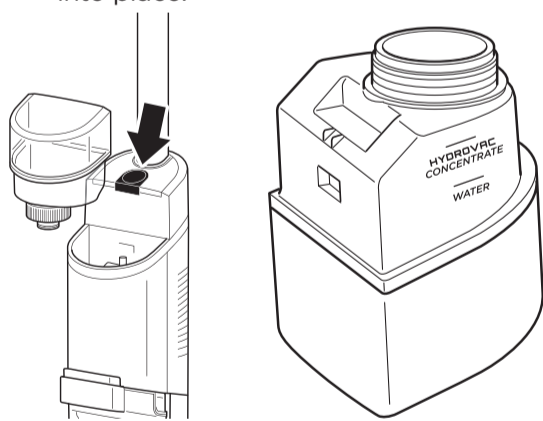
DOCK CHARGING

- Before first use, charge Shark HydroVac™ for 4 hours.
- To charge, place HydroVac on dock. Battery icon will illuminate when charging begins.
- Battery icon will turn off when unit is fully charged.



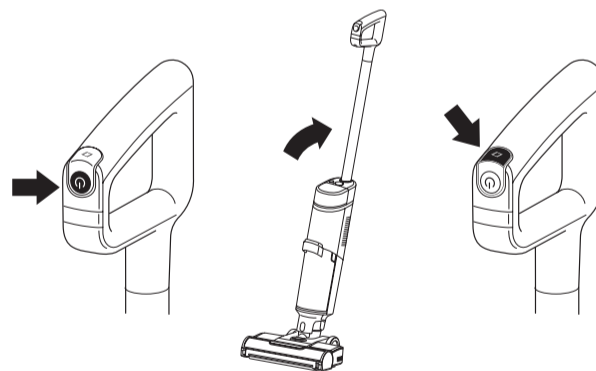
FILLING THE CLEAN SOLUTION TANK

- Press the release button and lift off the tank.
- Remove cap from tank and add water, up to WATER line.
- Add cleaning concentrate*, up to HYDROVAC CONCENTRATE line.
- Replace cap and reinsert tank until it clicks into place.



USING THE HYDROVAC

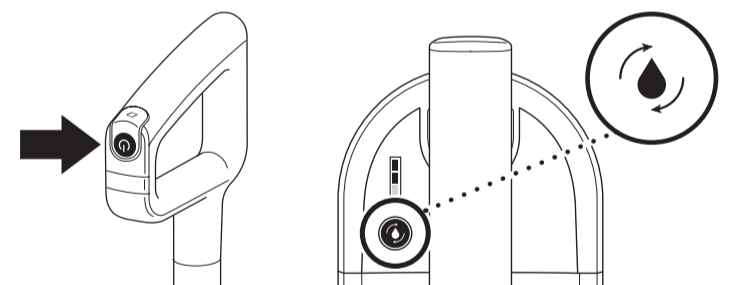
- Press the Power button on the handle to turn on power. Tilt the handle back to start cleaning in **Hard Floor Mode**, the optimal setting for cleaning bare floors.
- To switch to the optimal setting for cleaning area rugs, press the **Area Rug Mode** button.



ACTIVATING SELF-CLEAN CYCLE

Recommended after every use.

- Make sure Clean Solution Tank is at least half full.
- Make sure Dirty Water Tank is empty.
- Place Shark HydroVac™ on charging dock.
- Press **Power** button to start 2-minute self-clean cycle. The Self-Clean Mode icon will pulse.
- DO NOT** remove unit from dock during cycle. Icon will turn off when complete.



*Only use Shark HydroVac™ Multi-Surface Concentrate, Shark HydroVac™ Disinfectant, and water with this product.

For questions or to register your product, contact us at: 800-798-7398 or visit us online at sharkclean.com

