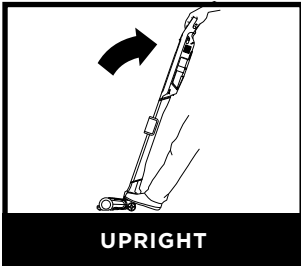


Please make sure to read the enclosed Shark® Owner's Guide prior to using your vacuum.

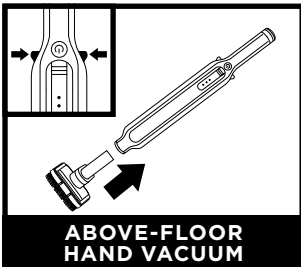
CORDLESS 3-IN-1

EMPTYING THE DUST CUP



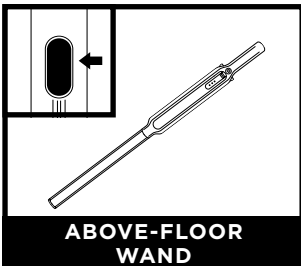
UPRIGHT

The brushroll is activated when the hand vacuum is connected and powered on.



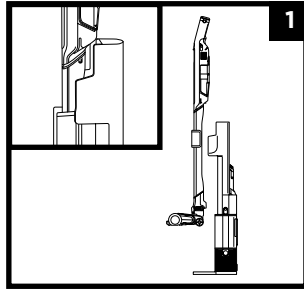
ABOVE-FLOOR HAND VACUUM

To detach the hand vacuum, slide the release tabs on both sides of the handle and lift it off the wand. Attach an accessory by sliding it into the nozzle. To remove the accessory, slide the release tabs on the handle. To reattach the hand vacuum, slide the nozzle over the wand on until it clicks into place.



ABOVE-FLOOR WAND

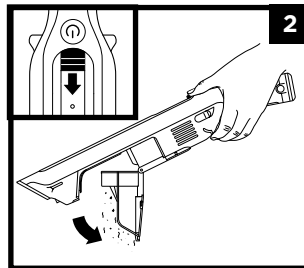
To detach the floor nozzle, step on the nozzle while pressing the release button at the bottom of the wand. Lift the wand to remove it. Reattach by sliding the wand over the nozzle neck until it clicks into place.



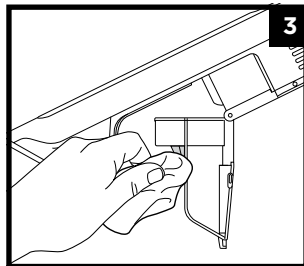
Place the vacuum on the dock in a downward motion. Once properly attached, the auto evacuation process will begin. The evacuation cycle will last for 10 seconds.

Note: do not remove the vacuum while the evacuation cycle is taking place.

Once evacuation is complete, the vacuum will continue charging until it is removed from the dock



With the power off, slide the release button forward, and the dust cup will swing open. Tap the dust screen lightly to knock off dust and debris.



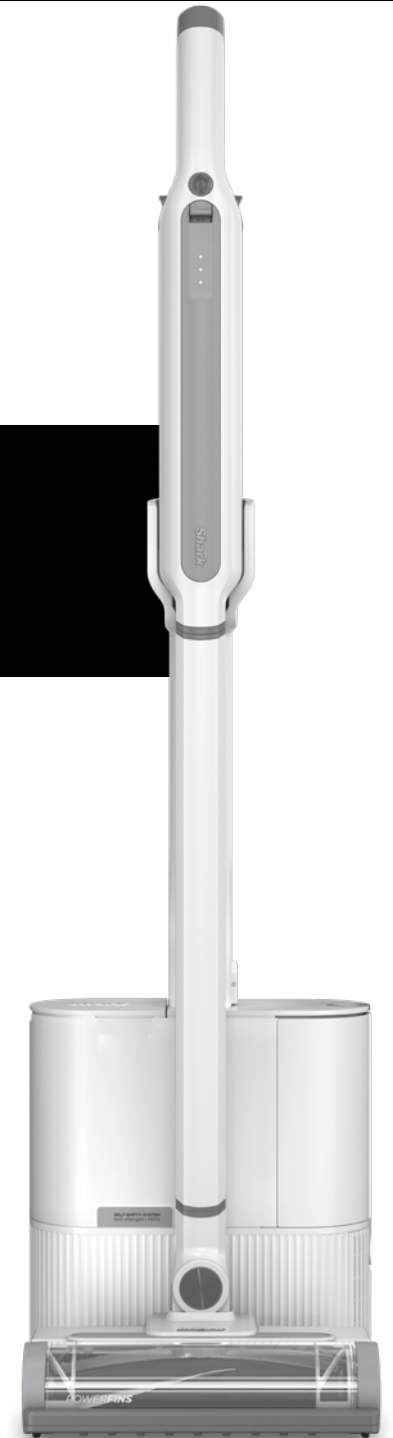
Wipe dust screen lightly with a dry cloth to remove dust and dirt.

Shark® WANDVAC® SELF-EMPTY SYSTEM Cordless Vacuum

QUICK START GUIDE

For questions, visit us online at sharkclean.com/support

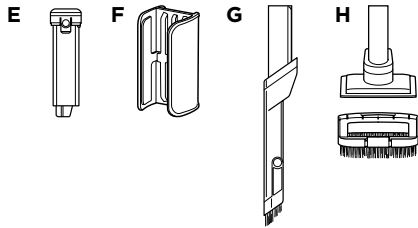
Register your vacuum at registeryourshark.com



@sharkcleaning

WHAT'S INSIDE:

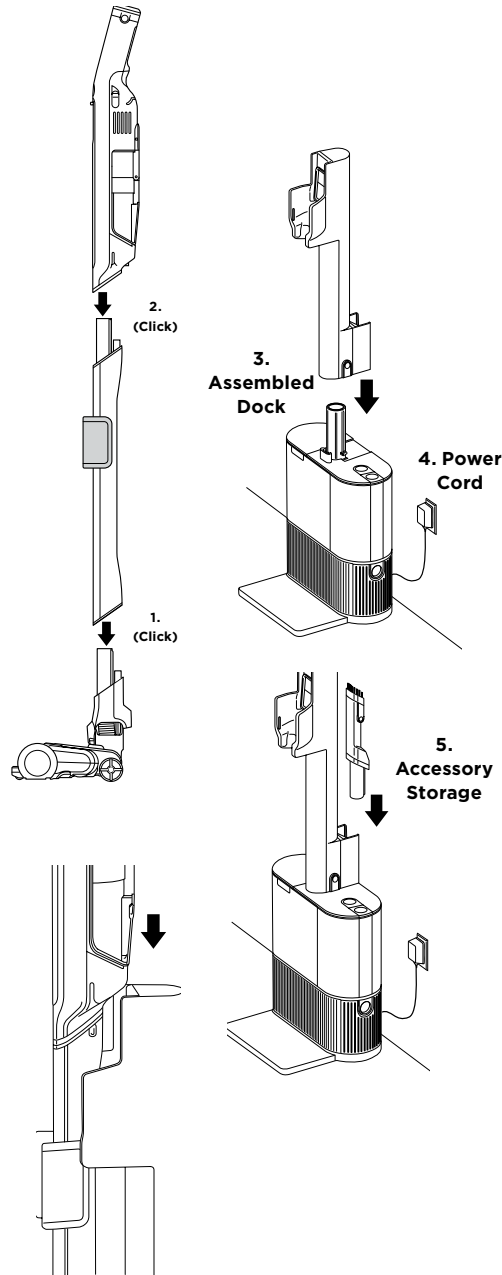
- A** Hand Vacuum
- B** Wand
- C** PowerFins™ Floor Nozzle
- D** WANDVAC® System
Auto Empty Docking Station
- E** Battery Pack
- F** Hand Vacuum Storage Clip (pre-attached)
- G** Duster Crevice Tool
- H** Pet Multi-Tool (WS642AE)



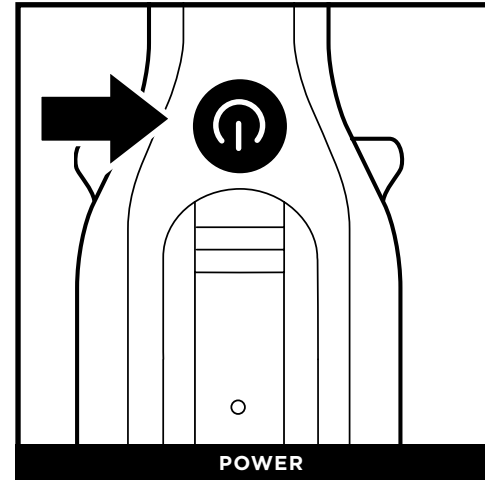
1. Slide the wand onto the neck of the floor nozzle until it clicks into place.
2. Slide the hand vacuum nozzle over the wand until it clicks into place.
3. Slide the Docking Station post onto the Auto Empty base until it clicks into place.
4. Place the dock on the floor near a wall outlet. Plug the power cord into the outlet.
5. Store cleaning accessories in the on-board accessory storage on the back of the dock post.

For proper operation, ensure all components are completely connected and clicked into place.

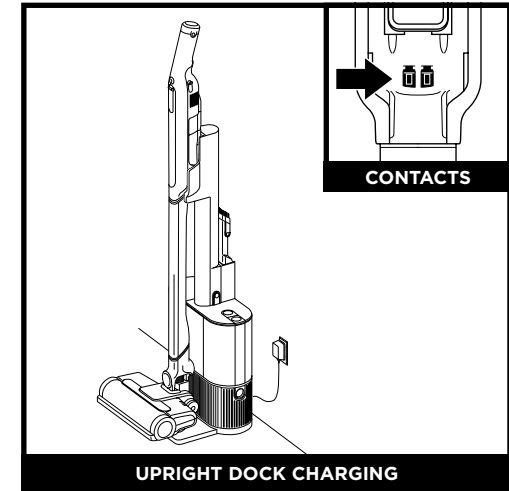
ASSEMBLY



CHARGING AND POWER SETTINGS



Press the On/Off button on the handle to turn on power. To turn off power, press the button again.



Charge the unit by placing it on the dock. Make sure the contacts on the wand are aligned with the contacts on the charging post.

When charging is complete and you need to use the unit again, lift it off the dock.

LI-ION BATTERY

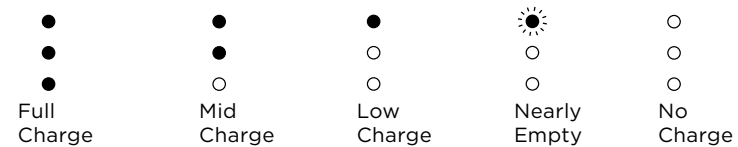
Charging



NOTE: Full charge takes approximately 3.5 hours per battery.

LEDs will shut off 5 minutes after achieving full charge.

In Use



For complete maintenance instructions, see the enclosed Owner's Guide.

For additional parts and accessories, visit sharkaccessories.com.

For additional batteries and charging accessories, visit sharkclean.com/batteries.