

# ***Shark*** ION ROBOT®

**Robot Vacuum for United States only**

**RV700 SERIES 3 OWNER'S GUIDE**

---



# IMPORTANT SAFETY INSTRUCTIONS

## PLEASE READ CAREFULLY BEFORE USE • FOR HOUSEHOLD USE ONLY

If the charging cable plug does not fit fully into the outlet, reverse the plug. If it still does not fit, contact a qualified electrician. DO NOT force into outlet or try to modify to fit.

## **⚠ WARNING**

To reduce the risk of fire, electric shock, injury, or property damage:

### GENERAL WARNINGS

When using an electrical appliance, basic precautions should always be followed, including the following:

1. Robotic vacuum cleaner consists of a robotic vacuum and charging base with power supply. These components contain electrical connections, electrical wiring, and moving parts that potentially present risk to the user.
2. Before each use, carefully inspect all parts for any damage. If a part is damaged, discontinue use.
3. Use only identical replacement parts.
4. This robotic vacuum cleaner contains no serviceable parts.
5. Use only as described in this manual. **DO NOT** use the robotic vacuum cleaner for any purpose other than those described in this manual.
6. With the exception of filters, **DO NOT** expose any parts of the robotic vacuum cleaner to water or other liquids.

### USE WARNINGS

7. This appliance can be used by persons with reduced physical, sensory or mental capabilities or lack of experience and knowledge if they have been given supervision or instruction concerning use of the appliance in a safe way and understand the hazards involved.
  - a) Children shall not play with the appliance.
  - b) Cleaning and user maintenance shall not be made by children without supervision.
8. Always turn off the robotic vacuum cleaner before inserting or removing the filter or dust bin.
9. **DO NOT** handle plug, charging base, charging cable, or robotic vacuum cleaner with wet hands. Cleaning and user maintenance shall not be made by children without supervision.
10. **DO NOT** use without robot dust bin and filters in place.

11. **DO NOT** damage the charging cord:
  - a) **DO NOT** pull or carry charging base by the cord or use the cord as a handle.
  - b) **DO NOT** unplug by pulling on cord. Grasp the plug, not the cord.
  - c) **DO NOT** close a door on the cord, pull the cord around sharp corners, or leave the cord near heated surfaces.
12. **DO NOT** put any objects into nozzle or accessory openings. **DO NOT** use with any opening blocked; keep free of dust, lint, hair, and anything that may reduce airflow.
13. **DO NOT** use if robotic vacuum cleaner airflow is restricted. If the air paths become blocked, turn the vacuum cleaner off and remove all obstructions before turning on the unit again.
14. Keep nozzle and all vacuum openings away from hair, face, fingers, uncovered feet, or loose clothing.
15. **DO NOT** use if robotic vacuum cleaner is not working as it should, or has been dropped, damaged, left outdoors, or dropped into water.
16. **DO NOT** place vacuum cleaner on unstable surfaces.
17. **DO NOT** use to pick up:
  - a) Liquids
  - b) Large objects
  - c) Hard or sharp objects (glass, nails, screws, or coins)
  - d) Large quantities of dust (drywall dust, fireplace ash, or embers).
  - e) Smoking or burning objects (hot coals, cigarette butts, or matches)
  - f) Flammable or combustible materials (lighter fluid, gasoline, or kerosene)
  - g) Toxic materials (chlorine bleach, ammonia, or drain cleaner)

18. **DO NOT** use in the following areas:
  - a) Wet or damp surfaces
  - b) Outdoor areas
  - c) Spaces that are enclosed and may contain explosive or toxic fumes or vapors (lighter fluid, gasoline, kerosene, paint, paint thinners, mothproofing substances, or flammable dust)
  - d) Near fireplaces with unobstructed entrances.
  - e) In an area with a space heater.
19. Turn off the robotic vacuum cleaner before any adjustment, cleaning, maintenance or troubleshooting.
20. Allow all filters to air-dry completely before replacing in the robotic vacuum cleaner to prevent liquid from being drawn into electric parts.
21. **DO NOT** modify or attempt to repair the robotic vacuum cleaner or the battery yourself, except as indicated in this manual. **DO NOT** use the vacuum if it has been modified or damaged.
22. To reduce the risk of electric shock, this appliance has a polarized plug (one blade is wider than the other). This plug will fit in a polarized outlet only one way. If the plug does not fit fully in the outlet, reverse the plug. If it still does not fit, contact a qualified electrician to install the proper outlet. Do not change the plug in any way.
23. In case the self-empty base has a thermal shutoff the unit needs to have a hard power reset to restart.
24. **DO NOT** use as an attachment to power tools for dust collection.

### BATTERY USE

25. The battery is the power source for the vacuum. Carefully read and follow all charging instructions.
26. To prevent unintentional starting, ensure the vacuum is powered off before picking up or carrying the vacuum. **DO NOT** carry the appliance with your finger on the power switch.
27. Use **ONLY** the Shark® charging dock XDOCKRV750 and use only battery RVBAT850. Use of batteries or battery chargers other than those indicated may create a risk of fire.

28. Keep the battery away from all metal objects such as paper clips, coins, keys, nails, or screws. Shorting the battery terminals together increases the risk of fire or burns.
29. Under abusive conditions, liquids may be ejected from the battery. Avoid contact with this liquid, as it may cause irritation or burns. If contact occurs, flush with water. If liquid contacts eyes, seek medical help.
30. Robotic vacuum cleaner should not be stored, charged, or used at temperatures below 50°F (10°C) or above 104°F (40°C). Ensure the battery and vacuum have reached room temperature before charging or use. Exposing the robot or battery to temperatures outside of this range may damage the battery and increase the risk of fire.
31. **DO NOT** expose the robotic vacuum cleaner or battery to fire or temperatures above 265°F (130°C) as it may cause explosion.
32. Non-rechargeable batteries cannot be recharged.

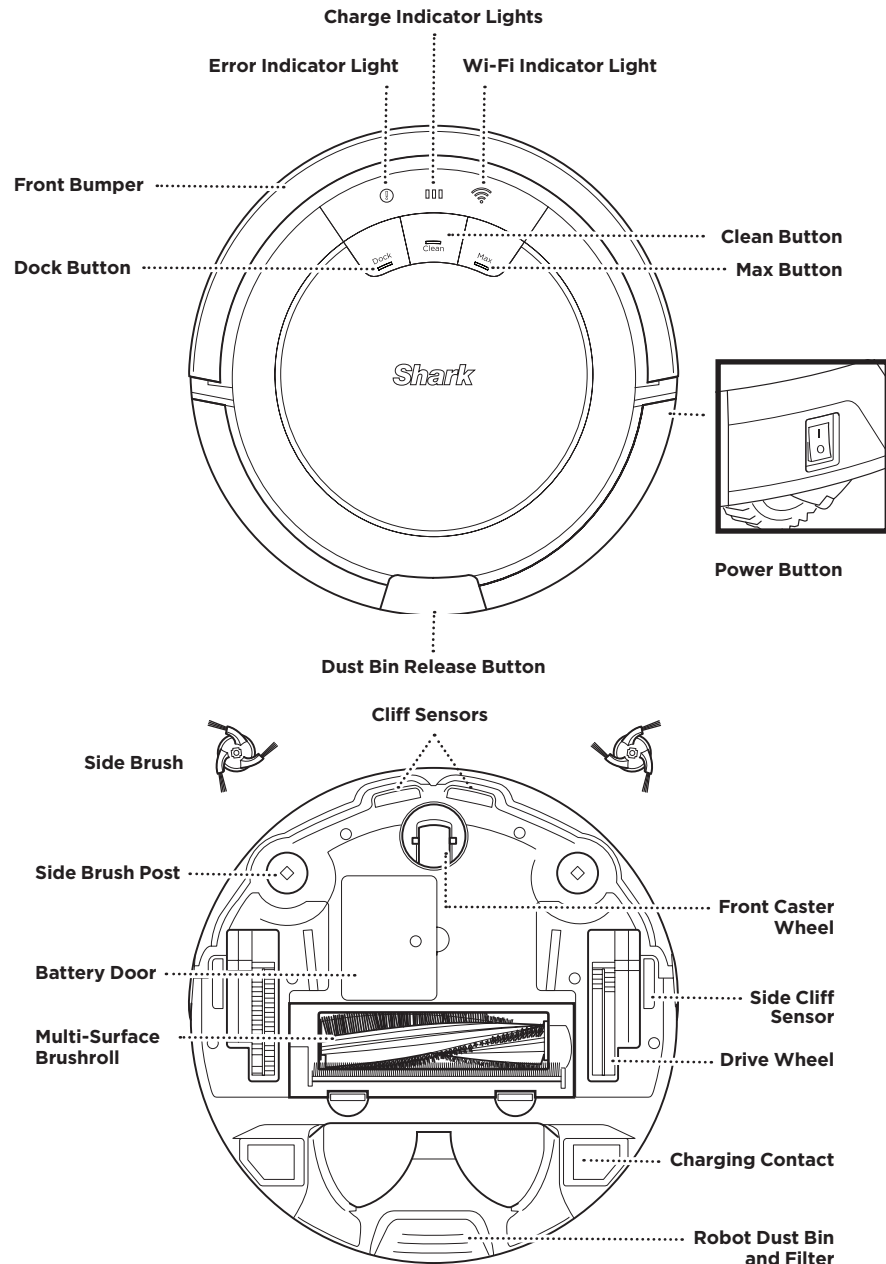
### BOTBOUNDARY® STRIPS

33. **DO NOT** put BotBoundary strips underneath carpet or rugs.
34. **DO NOT** place BotBoundary strips on top of one another.
35. Always use BotBoundary strips around reflective flooring and surfaces.
36. BotBoundary strips should always be used near carpeted stairs.
37. **DO NOT** place BotBoundary strips within 10 feet of the dock.
38. **DO NOT** place the charging dock in a room which requires a BotBoundary strip as mentioned in warnings 33 through 37.
39. For your robot's cliff sensors to work properly, all runners, rugs, or carpets must be eight inches from any stairs (or it must be continuous and extend over the edge of the stairs). If a runner, rug or carpet edge that is less than eight inches from the stairs cannot be moved, you must use a BotBoundary strip to block off the stairs.

## SAVE THESE INSTRUCTIONS

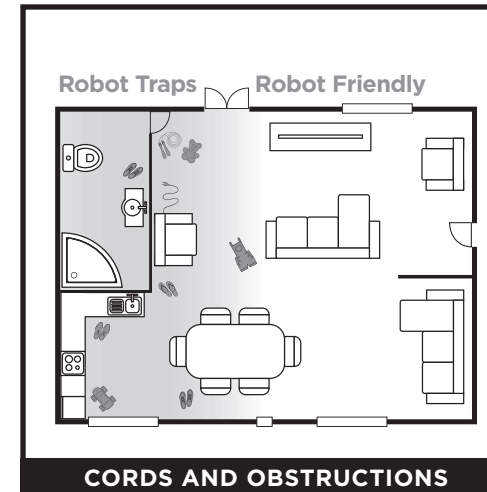
For the latest warnings and cautions, go to [sharkclean.com/robothelp](https://sharkclean.com/robothelp)

## ABOUT THE SHARK ION ROBOT®

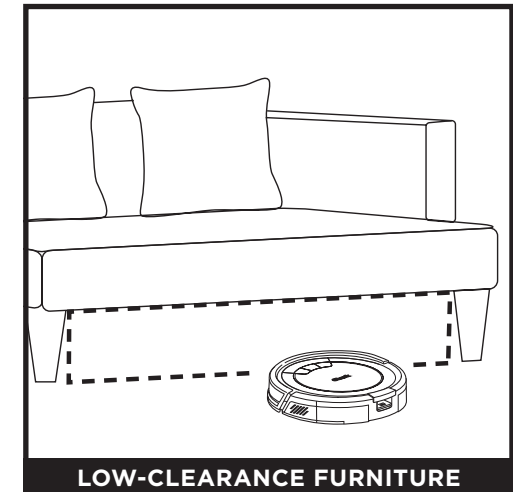


## ABOUT THE SHARK ION ROBOT®

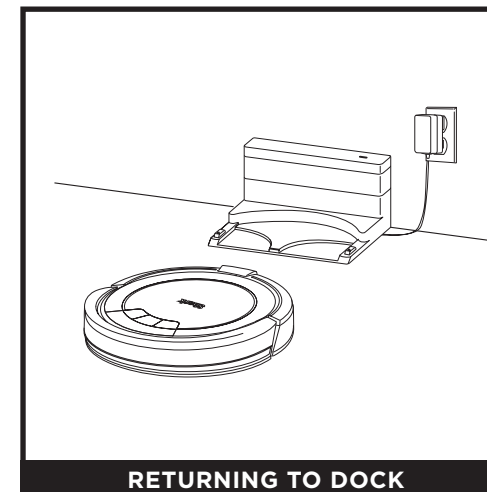
With **Auto-Sense® Navigation**, your robot uses an array of sensors to navigate around walls, furniture legs, and other obstacles while it cleans. The robot may gently bump into obstructions or linger in one spot, and it may not cover every area in a single cleaning. For best results, prepare your home as indicated below, and schedule a daily cleaning to ensure all floor areas are regularly maintained.



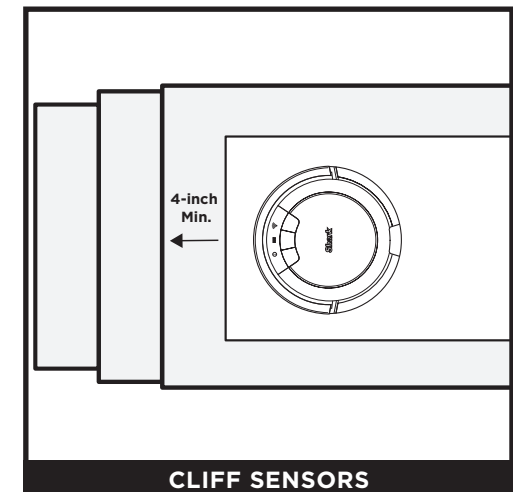
Before cleaning, clear away cords and other obstructions, or block off the areas you don't want your robot to travel to.



To prevent your robot from becoming trapped, use furniture risers.



If your robot roams too far, it could have trouble finding the **Charging Dock**.

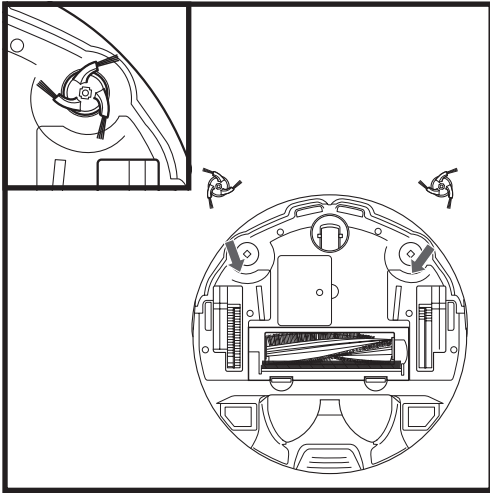


For your robot's cliff sensors to work properly, all runners, rugs, or carpets must be at least 4 inches from any stairs (or extend over the edge of the stairs).

If a runner, rug, or carpet edge is less than 4 inches from the stairs and can't be moved, use a BotBoundary® strip to block off the carpet edge. BotBoundary strips are available for purchase at [sharkaccessories.com](http://sharkaccessories.com)

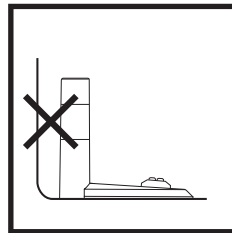
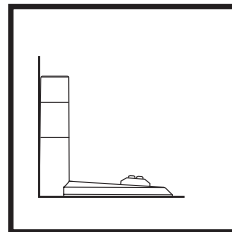
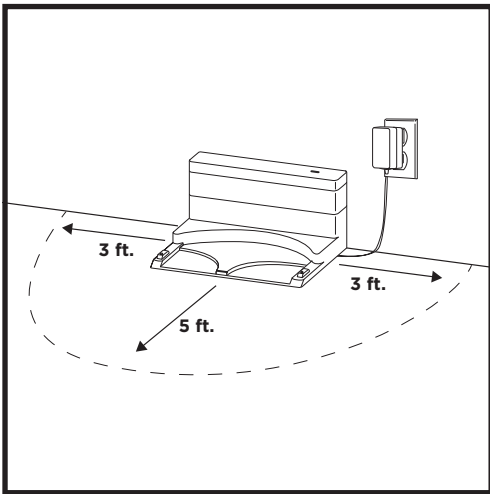
## PREPARING FOR USE

### INSTALLING THE SIDE BRUSHES



Snap the 2 color-coded **side brushes** onto the matching colored pegs on the bottom of the robot.

### CHARGING DOCK SET-UP



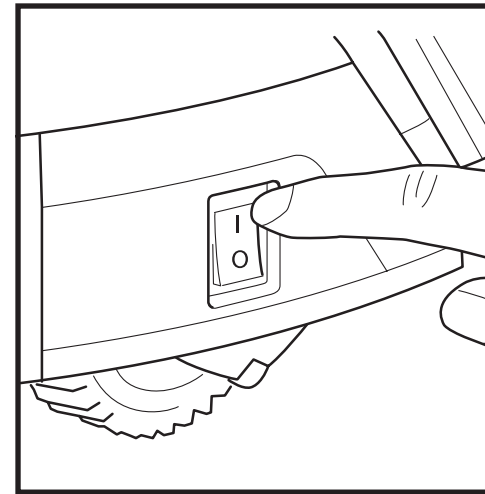
Place the charging dock on a level surface with its back against a wall, in a space without obstructions, that can easily be accessed by your robot. Remove any objects that are closer than 3 feet (1 meter) from either side of the dock, or closer than 5 feet (1.52 meters) from the front of the dock. Plug the **Charging Adapter** into a wall outlet. The dock must be plugged in continually for the robot to find it. The robot will beep when it starts charging on the dock.

**NOTE:** Placing the dock near reflective objects like mirrors could make docking difficult. To ensure the robot is docked correctly, refer to the **Charge Indicator Lights** section.

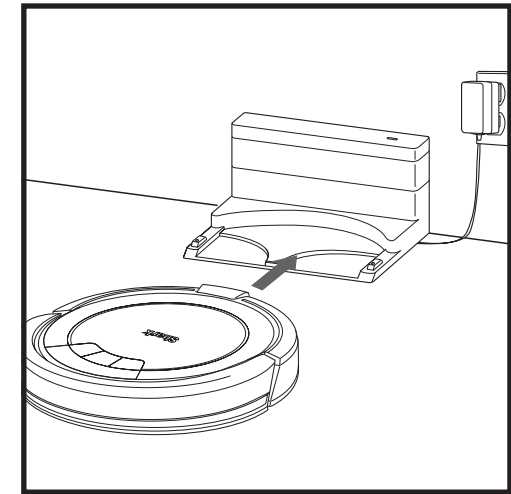
## CHARGING THE SHARK ION ROBOT®

### CHARGING

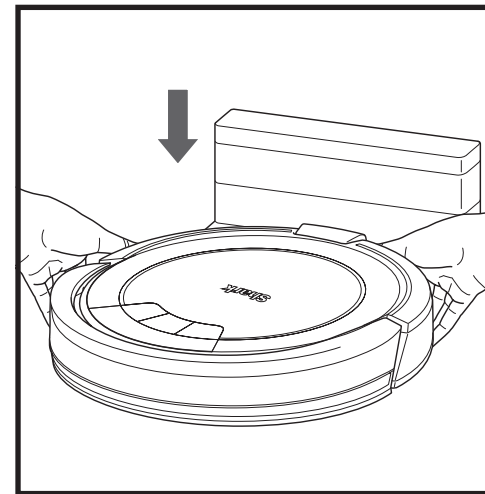
**IMPORTANT:** The Shark ION Robot has a pre-installed rechargeable battery. Battery must be fully charged before using.



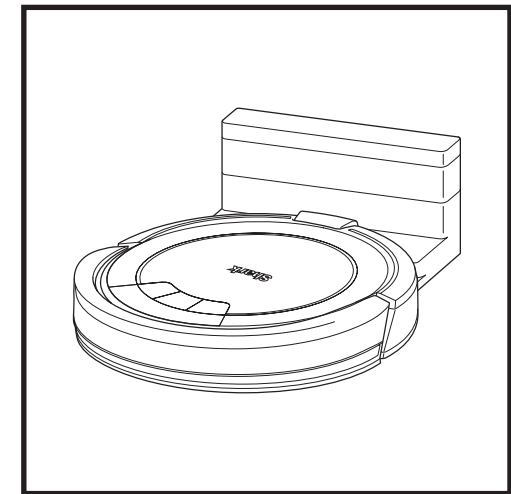
To charge, the **Power** button on the side of the robot must be in the ON position (I).



When the cleaning cycle is complete, or if the battery is running low, the robot will search for the dock. If your robot doesn't return to the dock, its charge may have run out.



If the robot has no charge and cannot return to the charging dock, place it on the dock manually.

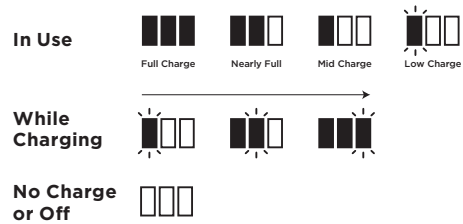
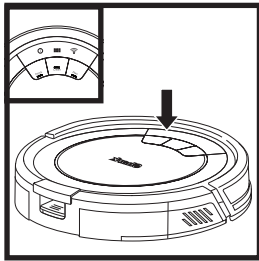


Turn the power switch on and place your robot on the dock. When all 3 indicator lights illuminate steadily in blue, charging is complete. Allow your robot to charge for 6 hours before sending it to clean.

**NOTE:** When manually placing the robot on the dock, make sure the **Charging Contacts** on the bottom of the robot are aligned with the dock. To ensure the robot is docked correctly, refer to the **Charge Indicator Lights** section.

## CHARGING THE SHARK ION ROBOT®

### CHARGE INDICATOR LIGHTS



The blue charge indicator lights show how much charge is remaining.

While the robot is charging, all three blue LED lights will cycle. When charging is complete, all three blue lights will illuminate steadily.

If the robot is idle and away from the charging dock for 10 minutes, it will enter **Sleep Mode**, and the lights will turn off.

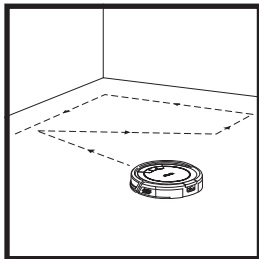
If all the indicator lights are off, then the robot is in Sleep Mode, the power switch is turned OFF (O) or there is no charge remaining. Turn the power switch ON (I). Press any button to ensure robot is not in Sleep Mode. If all indicator lights remain off, there is no charge. Place the robot on the dock, leaving a half-inch space between the front of the robot and the face of the dock. When the robot is docked correctly and begins to charge, it will beep and the charge indicator lights will cycle.

**NOTE:** If the low charge light is blinking red, there is not enough charge for the robot to return to the dock. Manually place the robot on the dock, leaving a half-inch space between the front of the robot and the face of the dock.

**TIP:** To preserve battery life, turn off the power switch if robot will not be used for a long period of time. Unit should be recharged at least once every three months.

## USING THE SHARK ION ROBOT®

### MANUAL CLEANING MODE

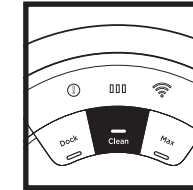
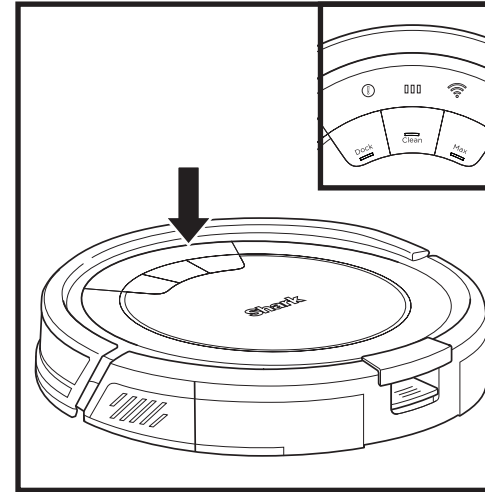


To manually start a cleaning cycle, press the **Clean** button on the robot or on the mobile app. To stop the robot before it finishes cleaning and automatically returns to the dock, press the button again.

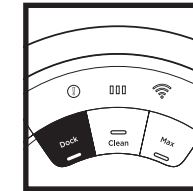
**IMPORTANT:** Before cleaning an entire room for the first time, we recommend that you first test your robot on a small section of the floor to ensure there is no scratching.

## USING THE SHARK ION ROBOT®

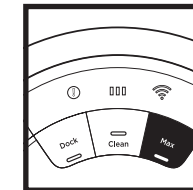
### BUTTONS AND INDICATOR LIGHTS



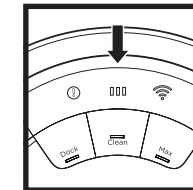
**CLEAN BUTTON**  
Press to begin a cleaning session. Press again to stop.



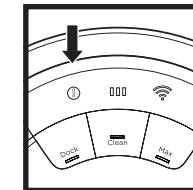
**DOCK BUTTON**  
Press to stop cleaning and send robot back to the charging dock.



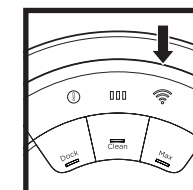
**MAX MODE BUTTON**  
Press for more powerful cleaning.



**CHARGE INDICATOR LIGHTS**  
Display the amount of charge remaining in the battery.



**“!” ERROR INDICATOR**  
See Troubleshooting section for full list of error codes.



**WI-FI INDICATOR**  
Blue light: connected to Wi-Fi.  
Red light: not connected.  
Flashing blue: setup mode.  
No light: not set up yet.

## USING THE SHARK ION ROBOT®

### USING THE SHARKCLEAN® APP AND VOICE CONTROLS

The SharkClean app will guide you through easy setup of your robot.

Control the unit remotely:

- Schedule cleaning times for up to 7 days a week.
- Start, stop, or dock your robot from your phone anywhere with Wi-Fi connectivity.

The app will also provide you access to:

- Tips, Tricks, and FAQs
- Tech Support
- Troubleshooting

Search for **SharkClean** in the app store and download the app to your iPhone™ or Android™.



## USING THE SHARK ION ROBOT®

### SETTING UP THE SHARKCLEAN® APP

Download the latest version of the SharkClean app from the App Store or Google Play store.

Follow instructions on the app to connect to the robot.

To ensure the app successfully pairs with the robot:

- Confirm your Wi-Fi router and/or home network supports a 2.4 GHz network.
- Confirm your Wi-Fi network name.
- Confirm your Wi-Fi network password.

#### CAN'T CONNECT TO WI-FI?

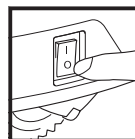
- **Restart your phone**
- **Reboot your robot**

- Press the power button on the side of the robot to the OFF position. Press it again to turn power back on.

- **Reboot your router**

- Unplug the router power cable for 10 seconds, then plug it back in. Allow several minutes for your router to reboot completely.

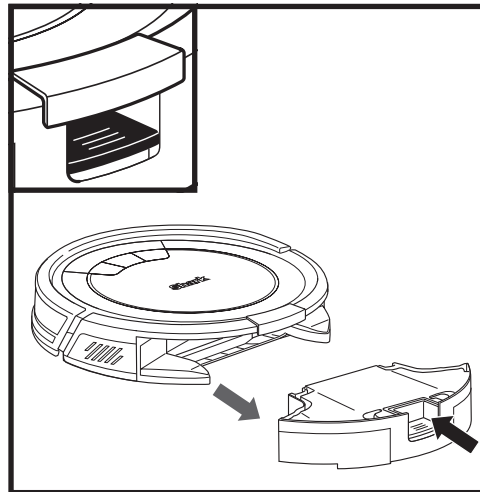
## MAINTENANCE



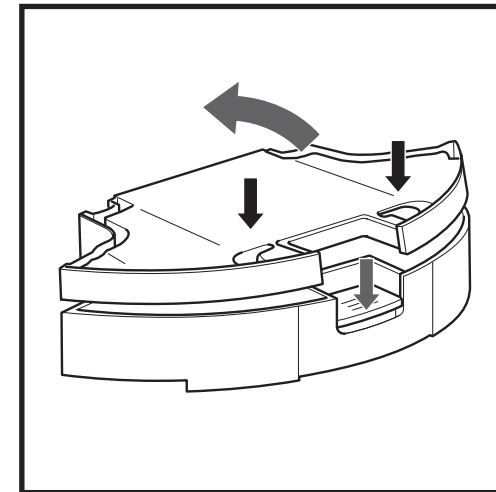
**CAUTION:** Turn off power before performing any maintenance.

### EMPTYING THE DUST BIN

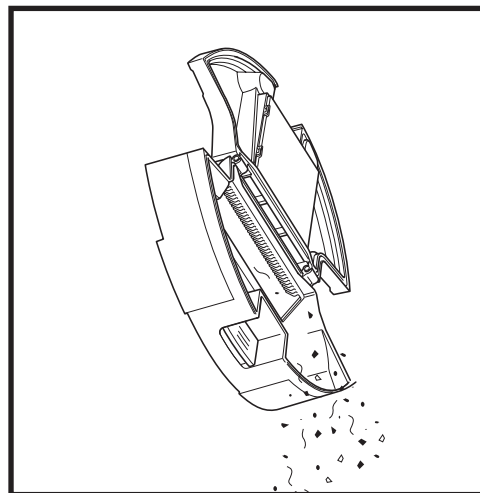
EMPTY DUST BIN AFTER EACH USE.



Press the **Dust Bin Release Button** and slide out the dust bin.



To open the dust bin lid, press and hold the button while lifting the lid, using the finger slots.



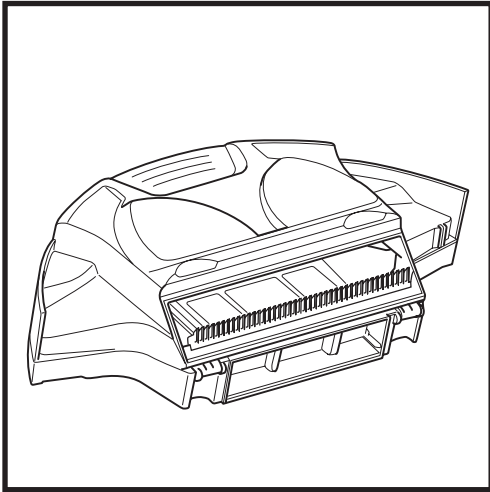
Empty debris and dust into trash.



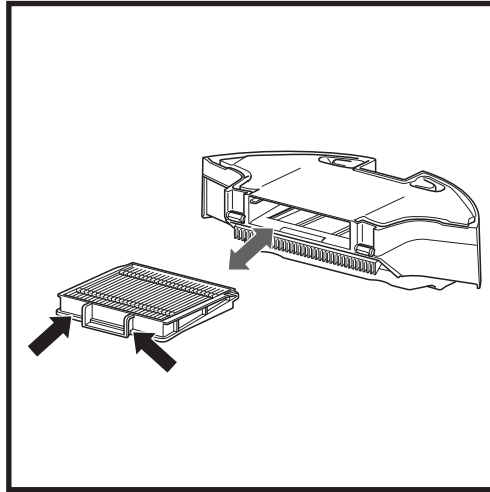
## MAINTENANCE

### CLEANING THE FILTER

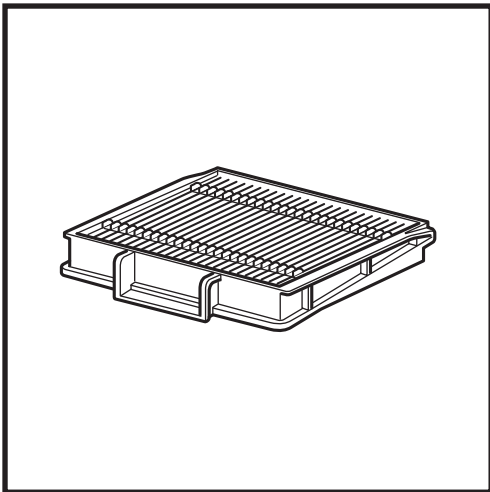
CLEAN FILTER EVERY WEEK.  
REPLACE FILTERS REGULARLY OR AS NEEDED. See [sharkaccessories.com](http://sharkaccessories.com) for replacement filters.



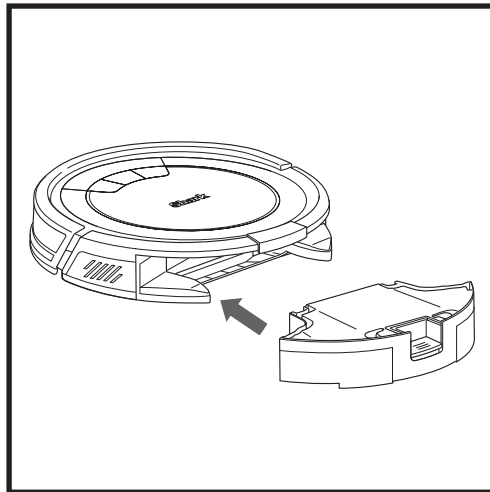
Remove and empty the dust bin. Clean any hair or debris off the **Anti-Tangle Comb** on the back of the dust bin.



Pull filter out of the dust bin by the tabs.



Lightly tap the filter to remove dust and debris.

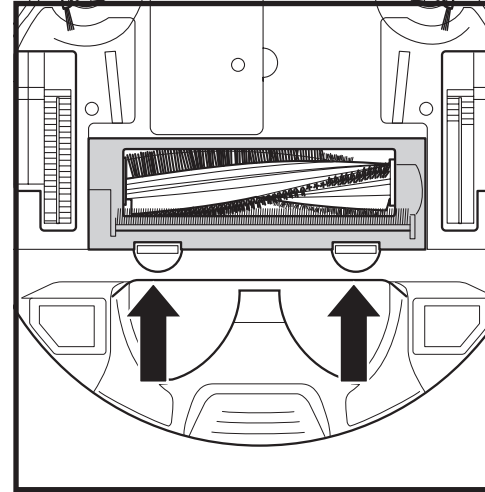


Reinsert the filter into the dust bin. Slide the dust bin back into the robot.

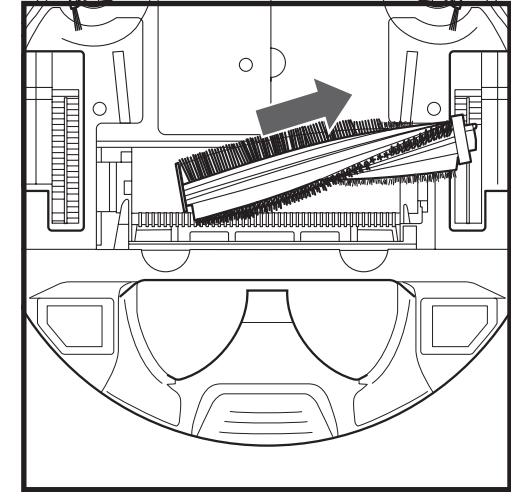
## MAINTENANCE

### CLEANING THE MULTI-SURFACE BRUSHROLL

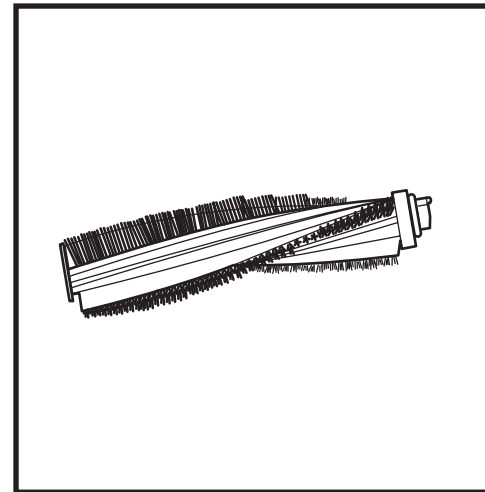
THE BRUSHROLL NEEDS OCCASIONAL MAINTENANCE.  
REPLACE BRUSHROLL EVERY 6 to 12 MONTHS, OR WHEN VISIBLY WORN. See [sharkaccessories.com](http://sharkaccessories.com) for replacement parts.



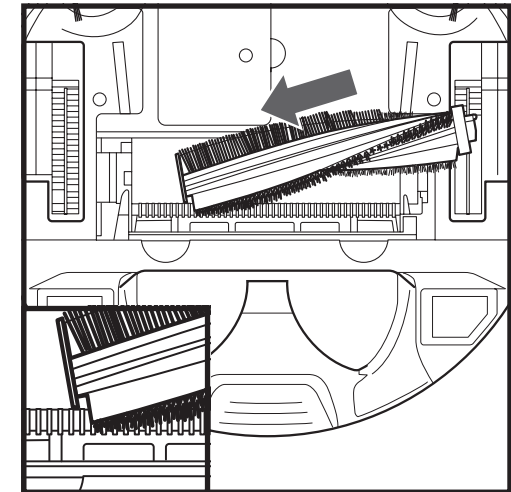
Push up on the tabs on the brushroll access door, then lift off the door.



Lift out the brushroll.



Clean off any hair or debris wrapped around the body of the brushroll and the end cap. Clean the brushroll periodically and whenever hair appears.



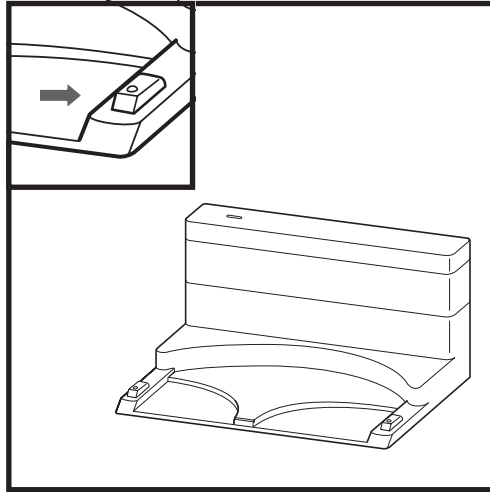
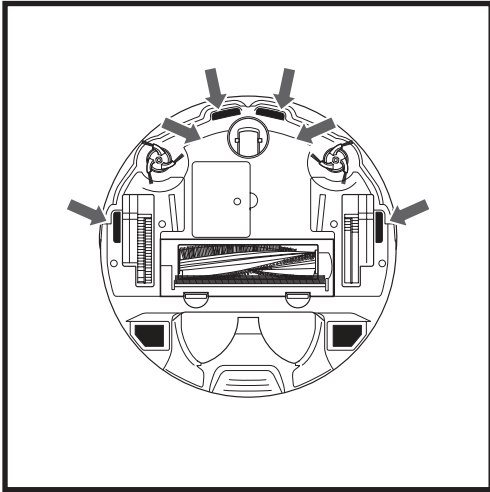
Reinstall the brushroll, inserting the flat end first. Close the brushroll access door and press down until it clicks into place.

**NOTE:** If the metal cylinder falls out of the brushroll cap, reinsert it in the hole on the inside of the cap. When cutting away debris, be sure not to cut the brushroll or any other parts of the robot.

## MAINTENANCE

### CLEANING SENSORS AND CHARGING PADS

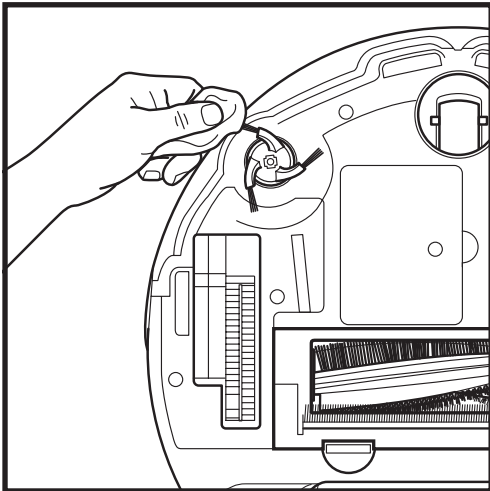
**CLEAN SENSORS AND CHARGING PADS PERIODICALLY AS NEEDED.** With a dry cloth or cleaning brush, gently dust off the sensors and pads located on the bottom of the robot.



**IMPORTANT:** The robot uses cliff sensors to avoid stairs and other steep drops. Sensors may work less effectively when they are dirty. For best results, clean sensors regularly.

### CLEANING SIDE BRUSHES

**CLEAN SIDE BRUSHES AS NEEDED. CHECK WEEKLY.**  
**RECOMMENDED REPLACEMENT SCHEDULE:** Replace when visibly worn. See [sharkaccessories.com](http://sharkaccessories.com) for replacement parts.



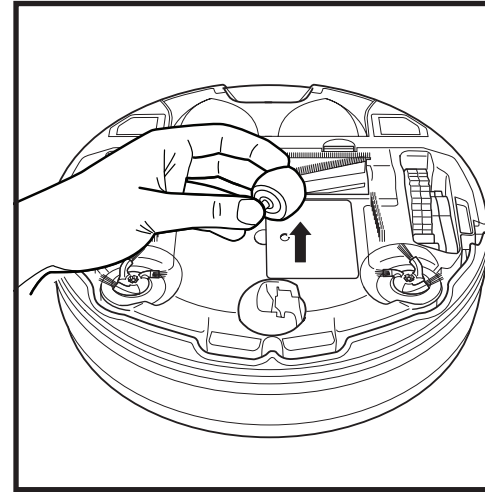
Carefully unwind and remove any string or hair wrapped around brushes.  
Gently wipe brushes with a damp cloth. Be sure to let them air-dry completely before reinstalling them.

**NOTE:** Remove any side brushes that are bent or damaged. To remove a brush, lift it off its peg. See **Installing the Side Brushes** for instructions on how to attach and remove the brushes.

## MAINTENANCE

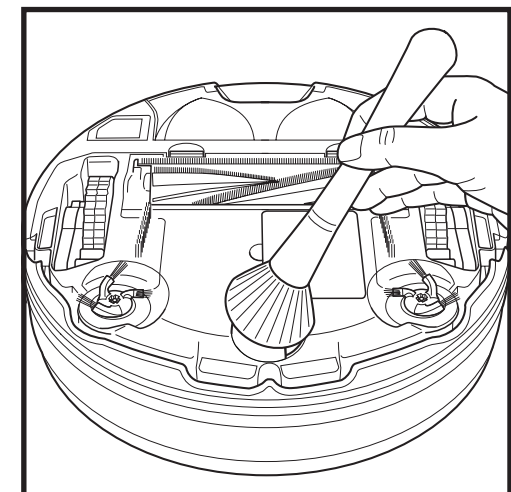
### CLEANING THE WHEELS

**REMOVE AND CLEAN FRONT WHEEL EVERY WEEK. REPLACE FRONT WHEEL EVERY 12 MONTHS.**  
See [sharkaccessories.com](http://sharkaccessories.com) for replacement parts.

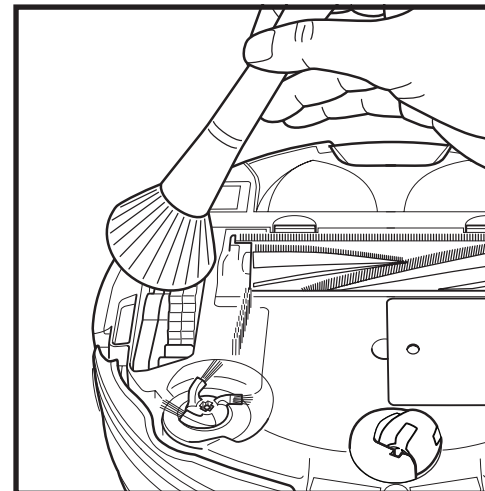


Pull the **Front Caster Wheel** from its housing and remove any debris buildup.

**NOTE:** Leverage may be required to remove the wheel.



Clean the wheel housing, then reinsert the caster wheel.

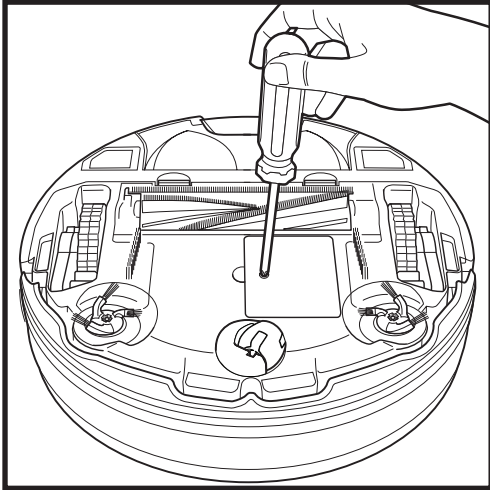


Clean the drive wheel housing periodically as needed by rotating the wheel while dusting.

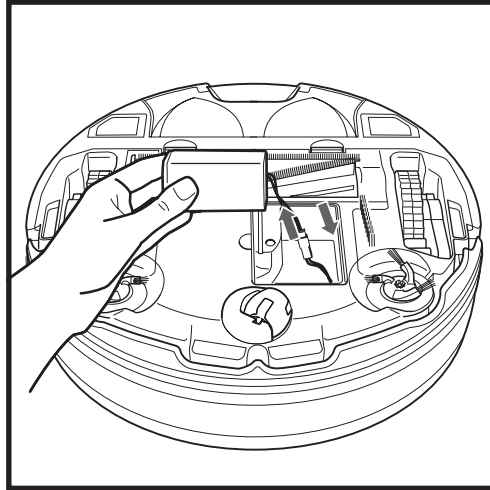


## MAINTENANCE

### REPLACING THE BATTERY



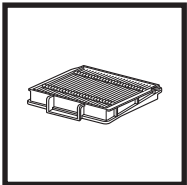
To remove the battery, turn the unit over and unscrew the battery cover with a Phillips-head screwdriver.



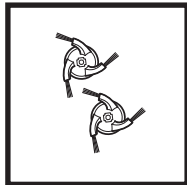
Unplug the old battery from its connector, then plug in the new battery. Replace battery cover and screw it back into place. See **Battery Removal and Disposal** on back cover.

**NOTE:** This appliance contains batteries that are only replaceable by skilled persons.

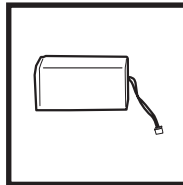
### REPLACEMENT PARTS



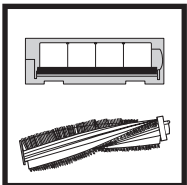
**Filter**  
1172FK870



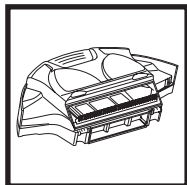
**Side Brushes**  
1184FK750



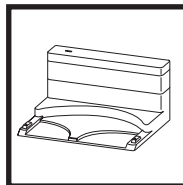
**Battery**  
RVBAT850



**Multi-Surface Brushroll Kit**  
1180FK750



**Dust Bin**  
1185FK765



**Charging Dock**  
XDOCKRV750

**NOTE:** To order replacement parts and filters, visit [sharkaccessories.com](http://sharkaccessories.com).

## MAINTENANCE

### TROUBLESHOOTING

If any error lights are illuminated or flashing on your Shark Ion Robot®, see the error code chart below:

| ERROR CODE                                      | SOLUTION  |
|---|---|
| <b>ALL LED LIGHTS</b> are off                   | Power may be turned off or battery may need charging. Turn power switch to On position. If no response, place robot on dock to charge.  |
| <b>CLEAN (RED) + !</b> flashing together        | Suction motor failure. Remove blockages and clean filters. Remove dust bin and make sure nothing is blocking suction.   |
| <b>CLEAN (RED)</b> flashing                     | Robot may be stuck on an obstacle. Move robot to a new location on a level surface.   |
| <b>MAX</b> flashing                             | Robot may be stuck on an obstacle. Move robot to a new location on a level surface.<br>Front bumper may be jammed. Check bumper.  |
| <b>CLEAN (RED) + DOCK</b> flashing together     | Cliff sensors are reporting an error.<br>Wipe cliff sensors with a clean cloth.<br>Robot cannot start due to an error. Turn off the power switch on the side of the robot, wait five seconds, then turn power back on. Ensure your robot is on a level surface with no obstructions.    |
| <b>CLEAN (RED) + MAX</b> flashing together      | The dust bin has been removed and needs to be reinserted.   |
| <b>MAX + !</b> flashing together                | A side brush is stuck. Remove debris from side brushes.   |
| <b>CLEAN (RED) + MAX + !</b> flashing together  | A drive wheel is stuck. Remove debris from wheel.   |
| <b>DOCK + MAX + !</b> flashing together         | Blockage in brushroll. Remove obstruction.  |
| <b>DOCK + !</b> flashing together               | Make sure you are using the dock that came with your robot.   |
| <b>CLEAN (BLUE) + MAX + !</b> flashing together | The robot is caught in a tight space or on an obstacle.<br>There is something stuck in the robot's front bumper.<br>Clean any obstructions or debris from the bumper. Gently push the bumper up and down and back and forth, making sure it moves smoothly.                             |
| <b>CLEAN + DOCK + MAX + !</b> flashing together | The robot's wheels might be stuck, or something might be caught in them.<br>Check the wheels for obstructions and remove anything that might be stuck or wrapped around the wheels.<br>Press down on the wheels, then let them spring back into place.<br>Rotate wheels back and forth. |
| <b>CLEAN + DOCK + MAX</b> flashing together     | Robot is in <b>Find My Robot</b> mode. You can deactivate this mode in the app.   |

For all other issues, please call Customer Service at 1-888-228-5531.

## END-USER LICENSE AGREEMENT FOR SHARKNINJA SOFTWARE

**IMPORTANT: PLEASE READ THE TERMS AND CONDITIONS OF THIS LICENSE AGREEMENT CAREFULLY BEFORE CONTINUING WITH THIS PROGRAM INSTALL OR USE OF THIS PRODUCT:** SharkNinja Operating LLC's ("SharkNinja") End-User License Agreement ("EULA") is a legal agreement between You (either a single entity or an individual) and SharkNinja for SharkNinja's Software Applications, including those installed by You onto your SharkNinja products or already installed on your device, including all firmware (referred hereafter as "SN APPS"). By installing, copying, checking a box, clicking a button confirming your agreement to these terms, or otherwise continuing to use the SN APPS, You agree to be bound by the terms of this EULA. This license agreement represents the entire agreement concerning SN APPS between You and SharkNinja, and it supersedes any prior proposal, representation, or understanding between the parties. If You do not agree to the terms of this EULA, do not install or use the SN APPS or this product.

The SN APPS are protected by copyright laws and international copyright treaties, as well as other intellectual property laws and treaties.

### 1. GRANT OF LICENSE. The SN APPS are licensed as follows:

1.1 Installation and Use. SharkNinja grants You the right to download, install, and use SN APPS on the specified platform for which the SN APP was designed and in connection with SharkNinja products with which the SN APPS are designed to operate ("SN Devices").

1.2 Backup Copies. You may also make a copy of SN APPS downloaded and installed by You for backup and archival purposes.

### 2. DESCRIPTION OF OTHER RIGHTS AND LIMITATIONS.

2.1 Maintenance of Copyright Notices. You must not remove or alter any copyright notices on any and all copies of the SN APPS.

2.2 Distribution. You may not distribute copies of the SN APPS to third parties.

2.3 Prohibition on Reverse Engineering, Decompilation, and Disassembly. You may not reverse engineer, decompile, or disassemble SN APPS, except and only to the extent that such activity is expressly permitted by applicable law notwithstanding this limitation.

2.4 Rental. You may not rent, lease, or lend SN APPS without written permission from SharkNinja.

2.5 NOT FOR RESALE SOFTWARE. Applications identified as "Not for Resale" or "NFR," may not be resold, transferred, or used for any purpose other than demonstration, test, or evaluation.

2.6 Support Services. SharkNinja may provide You with support services related to SN APPS ("Support Services"). Any supplemental software code provided to You as part of the Support Services shall be considered part of SN APPS and subject to the terms and conditions of this EULA.

2.7 Compliance with Applicable Laws. You must comply with all applicable laws regarding use of SN APPS.

**3. UPDATES.** SharkNinja may provide You with upgrades or updates to SN APPS. This EULA will govern any upgrades provided by SharkNinja that replace and/or supplement SN APPS, unless such upgrade is accompanied by a separate EULA, in which case the terms of that EULA will govern. If You decide not to download and use an upgrade or update provided by SharkNinja, You understand that You could put SN Apps at risk to serious security threats or cause SN Apps to become unusable or unstable.

**4. DATA AND PRIVACY.** SharkNinja is committed to ensuring your privacy by adhering to high standards of fairness and integrity. We are committed to keeping our customers informed about how we use the information we gather from You through the use of each of our websites or SN APPS. Our privacy practices are described in SharkNinja's Privacy Policy, as well as in separate notices given when an app, product, or service is purchased or downloaded. By using SN APPS or providing us with your personal information, You are accepting and consenting to the practices, terms, and conditions described in SharkNinja's Privacy Policy. At all times your information will be treated in accordance with the SharkNinja Privacy Policy, which is incorporated by reference into this EULA and can be viewed at the following URL: <http://www.sharkninja.com/privacypolicy>.

### 5. THIRD-PARTY APPLICATION LIBRARIES AND EMBEDDED SOFTWARE.

5.1 You acknowledge that Ayla Networks, Inc. ("Ayla") has provided certain application libraries that have been embedded into SN APPS ("Ayla Application Libraries") and enables SN Devices to connect to the Ayla Cloud Service ("Ayla Embedded Software").

5.2 You will not use the Ayla Application Libraries except as an incorporated portion of SN APPS, unmodified from the form provided to You.

5.3 You will not use the Ayla Embedded Software except as an incorporated portion of SN Devices, unmodified from the form provided to You.

5.4 You will not modify, adapt, translate, or create derivative works based on, or decompile, disassemble, reverse engineer, or otherwise attempt to derive the source code or underlying algorithms of, the Ayla Application Libraries or the Ayla Embedded Software.

5.5 SharkNinja retains all ownership of SN APPS (and the Ayla Application Libraries contained therein) and any software installed on SN Devices (including the Ayla Embedded Software) and only a license thereto is granted to You for use in connection with the SN APPS and SN Devices.

## END-USER LICENSE AGREEMENT FOR SHARKNINJA SOFTWARE

5.6 You will not use the Ayla Application Libraries or Ayla Embedded Software to attempt to gain unauthorized access to or use of the systems/services of SharkNinja's other licensors; nor will You transmit viruses, worms, Trojan horses, time bombs, spyware, malware, cancelbots, passive collection mechanisms, robots, data mining software, or any other malicious or invasive code or program into the systems/services of SharkNinja's other licensors.

5.7 You will not use the Ayla Application Libraries or Ayla Embedded Software to interfere with, breach, or circumvent any security feature, authentication feature, or any other feature that restricts or enforces limitations on the use of, or access to, the systems/services of SharkNinja's other licensors.

5.8 You will not probe, attack, scan, or test the vulnerability of the systems/services of SharkNinja's other licensors.

5.9 SharkNinja's other licensors of the SN APPS, Ayla Application Libraries, and the Ayla Embedded Software are the express third-party beneficiaries of this EULA, and the provisions of this Section of this EULA are made expressly for the benefit of such licensors, and are enforceable by such licensors.

**6. TERMINATION.** Without prejudice to any other rights, SharkNinja may terminate this EULA if You fail to comply with the terms and conditions of this EULA. In such event, You must destroy all copies of SN APPS in your possession.

**7. COPYRIGHT.** All title, including but not limited to copyrights, in and to SN APPS and any copies thereof are owned by SharkNinja or its suppliers. All title and intellectual property rights in and to the content which may be accessed through use of SN APPS are the property of the respective content owner and may be protected by applicable copyright or other intellectual property laws and treaties. This EULA grants You no rights to use such content. All rights not expressly granted are reserved by SharkNinja.

**8. OPEN SOURCE SOFTWARE.** You hereby acknowledge that SN APPS may contain software that is subject to "open source" or "free software" licenses ("Open Source Software"). The license granted by this EULA does not apply to Open Source Software contained in the SN APPS. Rather, the terms and conditions in the applicable Open Source Software license shall apply to the Open Source Software. Nothing in this EULA limits your rights under, or grants You rights that supersede, any Open Source Software license. You acknowledge that the Open Source Software license is solely between You and the applicable licensor of the Open Source Software. To the extent the terms of the licenses applicable to the Open Source Software require SharkNinja to make an offer to provide the Open Source Software, such offer is hereby made, and You may exercise it by contacting SharkNinja at the below address.

**9. NO WARRANTIES.** SharkNinja expressly disclaims any warranty for SN APPS, Ayla Application Libraries, or Ayla Embedded Software. SN APPS, Ayla Application Libraries, and Ayla Embedded Software are provided 'As Is' without any express or implied warranty of any kind, including but not limited to any warranties of merchantability, noninfringement, fitness of a particular purpose, or title. SharkNinja does not warrant or assume responsibility for the accuracy or completeness of any information, text, graphics, links, or other items contained within the SN APPS. SharkNinja makes no warranties respecting any harm that may be caused by the transmission of a computer virus, worm, logic bomb, or other such computer program. SharkNinja further expressly disclaims any warranty or representation to any third party.

**10. LIMITATION OF LIABILITY.** In no event shall SharkNinja or its suppliers be liable for any special, incidental, punitive, indirect, or consequential damages whatsoever (including, but not limited to, damages for loss of profits or confidential or other information, for business interruption, for personal injury, for loss of privacy, for failure to meet any duty including of good faith or of reasonable care, for negligence, and for any other pecuniary or other loss whatsoever) arising out of or in any way related to the use of or inability to use SN Devices or SN APPS, the provision of or failure to provide support or other services, information, software, and related content through the product or otherwise arising out of the use of SN APPS, or otherwise under or in connection with any provision of this EULA, even in the event of the fault, tort (including negligence), strict liability, breach of contract, or breach of warranty of SharkNinja or any supplier, and even if SharkNinja or any supplier has been advised of the possibility of such damages. SharkNinja shall have no liability with respect to the content of the SN APPS or any part thereof, including but not limited to errors or omissions contained therein, libel, infringements of rights of publicity, privacy, trademark rights, business interruption, personal injury, loss of privacy, moral rights, or the disclosure of confidential information.

**11. APPLICABLE LAW.** The laws of the Commonwealth of Massachusetts will govern this EULA and You hereby consent to exclusive jurisdiction and venue in the state and federal courts sitting in the Commonwealth of Massachusetts.

**12. ASSIGNMENT.** SharkNinja may assign this EULA without notice to Licensor.

**13. ENTIRE AGREEMENT.** This EULA (including any addendum or amendment to this EULA which is included with the SN Devices) is the entire agreement between You and SharkNinja relating to the SN APPS and supersedes all prior or contemporaneous oral or written communications, proposals and representations with respect to the SN APPS or any other subject matter covered by this EULA. To the extent the terms of any SharkNinja policies or programs for support services conflict with the terms of this EULA, the terms of this EULA shall control.

If You have questions regarding this EULA, please contact SharkNinja at 89 A Street, Suite 100, Needham, MA 02494.

## ONE (1) YEAR LIMITED WARRANTY

The One (1) Year Limited Warranty applies to purchases made from authorized retailers of **SharkNinja Operating LLC**. Warranty coverage applies to the original owner and to the original product only and is not transferable.

SharkNinja warrants that the unit shall be free from defects in material and workmanship for a period of one (1) year from the date of purchase when it is used under normal household conditions and maintained according to the requirements outlined in the Owner's Guide, subject to the following conditions and exclusions:

### What is covered by this warranty?

1. The original unit and/or non-wearable components deemed defective, in SharkNinja's sole discretion, will be repaired or replaced up to one (1) year from the original purchase date.
2. In the event a replacement unit is issued, the warranty coverage ends six (6) months following the receipt date of the replacement unit or the remainder of the existing warranty, whichever is later. SharkNinja reserves the right to replace the unit with one of equal or greater value.

### What is not covered by this warranty?

1. Normal wear and tear of wearable parts (such as brushes, filters, etc.), which require regular maintenance and/or replacement to ensure the proper functioning of your unit, are not covered by this warranty. Replacement parts are available for purchase at [sharkaccessories.com](http://sharkaccessories.com).
2. Any unit that has been tampered with or used for commercial purposes.
3. Damage caused by misuse (e.g., vacuuming up water or other liquids), abuse, negligent handling, failure to perform required maintenance (e.g., not cleaning the filters), or damage due to mishandling in transit.
4. Consequential and incidental damages.
5. Defects caused by repair persons not authorized by SharkNinja. These defects include damages caused in the process of shipping, altering, or repairing the SharkNinja product (or any of its parts) when the repair is performed by a repair person not authorized by SharkNinja.
6. Products purchased, used, or operated outside North America.

### How to get service

If your appliance fails to operate properly while in use under normal household conditions within the warranty period, visit [sharkclean.com/support](http://sharkclean.com/support) for product care and maintenance self-help. Our Customer Service Specialists are also available at **1-888-228-5531** to assist with product support and warranty service options, including the possibility of upgrading to our VIP warranty service options for select product categories. Please register your product and have it with you when contacting Customer Service.

SharkNinja will cover the cost for the customer to send in the unit to us for repair or replacement. A fee of \$25.95 (subject to change) will be charged when SharkNinja ships the repaired or replacement unit.

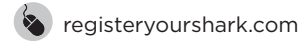
### How to initiate a warranty claim

You must call **1-888-228-5531** to initiate a warranty claim. You will need the receipt as proof of purchase. A Customer Service Specialist will provide you with return and packing instruction information.

### How state law applies

This warranty gives you specific legal rights, and you also may have other rights that vary from state to state. Some states do not permit the exclusion or limitation of incidental or consequential damages, so the above may not apply to you.

## REGISTER YOUR PURCHASE



## BATTERY REMOVAL AND DISPOSAL

This product uses a battery. When the battery no longer holds a charge, it should be removed from the vacuum and recycled. **DO NOT** incinerate or compost the battery.

When your lithium-ion battery needs to be replaced, dispose of it or recycle it in accordance with local ordinances or regulations. In some areas, it is illegal to place spent lithium-ion batteries in the trash or in a municipal solid waste stream. Return spent battery to an authorized recycling center or to retailer for recycling. Contact your local recycling center for information on where to drop off the spent battery.

**For more information on battery removal for disposal, please visit [sharkclean.com/batterysupport](http://sharkclean.com/batterysupport).**

The RBRC™ (Rechargeable Battery Recycling Corporation) seal on the lithium-ion battery indicates that the costs to recycle the battery at the end of its useful life have already been paid by SharkNinja. In some areas, it is illegal to place spent lithium-ion batteries in the trash or municipal solid waste stream and the RBRC program provides an environmentally conscious alternative.

RBRC, in cooperation with SharkNinja and other battery users, has established programs in the United States and Canada to facilitate the collection of spent lithium-ion batteries. Help protect our environment and conserve natural resources by returning the spent lithium-ion battery to an authorized SharkNinja service center or to your local retailer for recycling. You may also contact your local recycling center for information on where to drop off the spent battery, or call 1-800-798-7398.

## RECORD THIS INFORMATION

Model Number: \_\_\_\_\_

Date Code: \_\_\_\_\_

Date of Purchase: \_\_\_\_\_  
(Keep receipt)

Store of Purchase: \_\_\_\_\_

**TIP:** You can find the model and serial numbers on the QR code labels located on the bottom of the robot and battery.

## EXPECTED PERFORMANCE

Expected runtime: 60 minutes

Expected charging time: 3 hours







## FCC WARNINGS

This equipment has been tested and found to comply with the limits for a Class B digital device, pursuant to parts 15 of the FCC Rules. These limits are designed to provide reasonable protection against harmful interference in a residential installation. This equipment generates, uses, and can radiate radio frequency energy and, if not installed and accordance with the instructions, may cause harmful interference to radio communications. However, there is no guarantee that interference will not occur in a particular installation. If this equipment does cause harmful interference to radio or television reception, which can be determined by turning the equipment off and on, the user is encouraged to try to correct the interference by one or more of the following measures:

- Reorient or relocate the receiving antenna.
- Increase the separation between the equipment and receiver.
- Connect the equipment into an outlet on a circuit different from that to which the receiver is connected.
- Consult the dealer or an experienced radio/TV technician for help.

This device contains licence-exempt transmitter(s)/receiver(s) that comply with Innovation, Science and Economic Development Canada's licence-exempt RSS(s). Operation is subject to the following two conditions:

1. This device may not cause interference.
2. This device must accept any interference, including interference that may cause undesired operation of the device.

## PLEASE READ CAREFULLY AND KEEP FOR FUTURE REFERENCE.

This Owner's Guide is designed to help you keep your Shark Ion Robot® running at peak performance.

SharkNinja Operating LLC  
US: Needham, MA 02494  
CAN: Ville St-Laurent, QC H4S 1A7  
1-888-228-5531  
sharkclean.com

Illustrations may differ from actual product. We are constantly striving to improve our products; therefore the specifications contained herein are subject to change without notice.

This product may be covered by one or more U.S. patents. See [sharkninja.com/patents](http://sharkninja.com/patents) for more information.

---

© 2022 SharkNinja Operating LLC. AUTO-SENSE, BOTBOUNDARY, SHARK, SHARKCLEAN, and SHARK ION ROBOT are registered trademarks of SharkNinja Operating LLC. RBRC is a trademark of Rechargeable Battery Recycling Corporation. AMAZON, ALEXA, and all related logos are trademarks of Amazon.com, Inc. or its affiliates. APPLE, the Apple logo and iPhone are trademarks of Apple Inc., registered in the U.S. and other countries. APP STORE is a service mark of Apple Inc., registered in the U.S. and other countries. GOOGLE, GOOGLE ASSISTANT, GOOGLE PLAY, the Google Play logo, and ANDROID are trademarks of GOOGLE LLC.