

Shark

Rocket®

HV370 Series • Série • Serie

**OWNER'S GUIDE
GUIDE DU PROPRIÉTAIRE
GUÍA DEL PROPIETARIO**



IMPORTANT SAFETY INSTRUCTIONS

HOUSEHOLD USE ONLY

To reduce the risk of electric shock, this vacuum cleaner has a polarized plug (one blade is wider than the other). As a safety feature, this plug will fit into a polarized outlet only one way. If the plug does not fit fully into the outlet, reverse the plug. If it still does not fit, contact a qualified electrician. **DO NOT force into outlet or try to modify to fit.**

⚠ WARNING

TO REDUCE THE RISK OF FIRE, ELECTRIC SHOCK OR INJURY:

GENERAL WARNINGS

When using an electrical appliance, basic precautions should always be followed, including the following:

1. Your vacuum cleaner may consist of a motorized nozzle, wand, hose, and/or vacuum pod. This device contains electrical connections, electrical wiring, and moving parts that potentially present risk to the user.
2. Use only identical replacement parts.
3. Carefully observe and follow the instructions provided below to avoid improper use of the appliance. **DO NOT** use the vacuum for any purpose other than those described in this manual.
4. Before use, carefully inspect all parts for any damage. **DO NOT** use if any parts are damaged.
5. The use of an extension cord is **NOT** recommended.
6. This vacuum cleaner contains no serviceable parts.

USE WARNINGS

7. This appliance can be used by persons with reduced physical, sensory or mental capabilities or lack of experience and knowledge if they have been given supervision or instruction concerning use of the appliance in a safe way and understand the hazards involved. Cleaning and user maintenance shall not be made by children. Keep the appliance and its cord out of reach of

children. **DO NOT** allow the appliance to be used by children. **DO NOT** allow to be used as a toy. Close supervision is necessary when used near children.

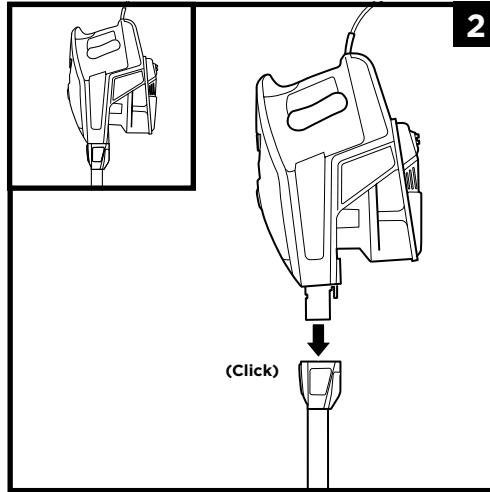
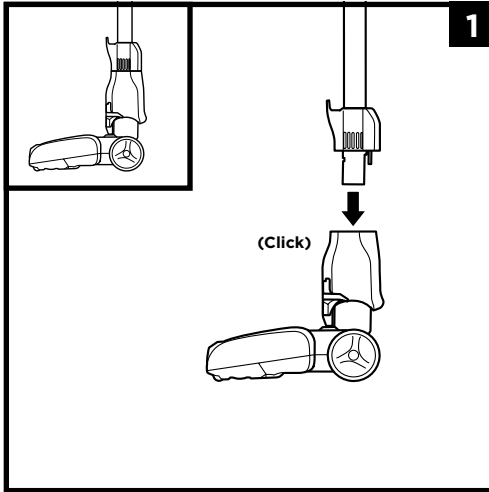
8. Always turn off the vacuum cleaner before connecting or disconnecting any motorized nozzles or other accessories.
9. **DO NOT** handle plug or vacuum cleaner with wet hands.
10. **DO NOT** use without filters in place.
11. Only use Shark® branded filters and accessories.
12. **DO NOT** damage the power cord:
 - a) **DO NOT** pull or carry vacuum cleaner by the cord or use the cord as a handle.
 - b) **DO NOT** unplug by pulling on cord. Grasp the plug, not the cord.
 - c) **DO NOT** run the vacuum cleaner over the power cord, close a door on the cord, pull the cord around sharp corners, or leave the cord near heated surfaces.
13. **DO NOT** put any objects into nozzle or accessory openings. **DO NOT** use with any opening blocked; keep free of dust, lint, hair, and anything that may reduce airflow.
14. **DO NOT** use if nozzle or accessory airflow is restricted. If the air paths or the motorized floor nozzle become blocked, turn the vacuum cleaner off and unplug from electrical outlet. Remove all obstructions before you plug in and turn on the unit again.

SAVE THESE INSTRUCTIONS

READ ALL INSTRUCTIONS BEFORE USE

15. Keep nozzle and all vacuum cleaner openings away from hair, face, fingers, uncovered feet, or loose clothing.
16. **DO NOT** use if vacuum cleaner is not working as it should, or has been dropped, damaged, left outdoors, or dropped into water.
17. Use extra care when cleaning on stairs.
18. **DO NOT** leave the vacuum cleaner unattended while plugged in.
19. When powered on, keep the vacuum cleaner moving over the carpet surface at all times to avoid damaging the carpet fibers.
20. **DO NOT** place vacuum cleaner on unstable surfaces such as chairs or tables.
21. Your Shark® vacuum may not be designed to stand up on its own. When taking a break from cleaning, you may need to lean it against furniture or a wall, or lay it flat on the floor. Using the vacuum for an application where the unit lacks stability may result in personal injury.
22. **DO NOT** use to pick up:
 - a) Liquids
 - b) Large objects
 - c) Hard or sharp objects (glass, nails, screws, or coins)
 - d) Large quantities of dust (drywall dust, fireplace ash, or embers). **DO NOT** use as an attachment to power tools for dust collection.
 - e) Smoking or burning objects (hot coals, cigarette butts, or matches)
 - f) Flammable or combustible materials (lighter fluid, gasoline, or kerosene)
 - g) Toxic materials (chlorine bleach, ammonia, or drain cleaner)
23. **DO NOT** use in the following areas:
 - a) Poorly lit areas
 - b) Wet or damp surfaces
 - c) Outdoor areas
 - d) Spaces that are enclosed and may contain explosive or toxic fumes or vapors (lighter fluid, gasoline, kerosene, paint, paint thinners, mothproofing substances, or flammable dust)
24. Turn off all controls before plugging in or unplugging the vacuum.
25. Unplug from electrical outlet when not in use and before any maintenance or cleaning.
26. Hand wash with water only. Washing with cleaning chemicals could damage the unit.
27. During cleaning or routine maintenance, **DO NOT** cut anything other than hair, fibers, or string wrapped around the brushroll.
28. Allow all filters to air-dry completely before replacing in the vacuum to prevent liquid from being drawn into electric parts.
29. Make sure the dust cup and all filters are in place after routine maintenance.
30. If provided, secure the power cord around the two cord hooks during storage.

ASSEMBLY

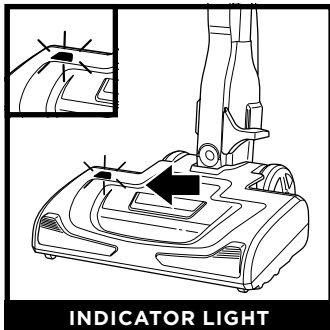


1. Insert **Wand** into **Floor Nozzle**.

2. Insert **Handheld Vacuum** into wand.

Ensure all connections click securely into place.

BRUSHROLL INDICATOR LIGHT



INDICATOR LIGHT

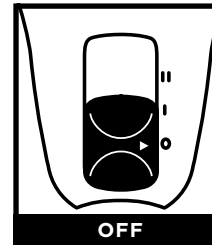
WHAT DOES THE BRUSHROLL INDICATOR LIGHT MEAN?

Solid Green: The brushroll is spinning and working as it should.

Solid Red: There is a jam in the brushroll area. Turn your vacuum off and remove any blockages in the nozzle.

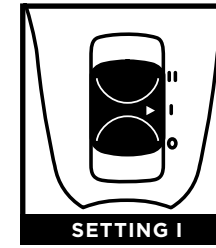
Flashing Red: The motorized floor nozzle is overheating. Turn your vacuum off and wait a minimum of 60 minutes for it to cool down.

SETTINGS



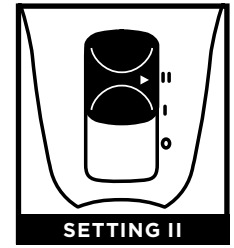
OFF

Slide switch to the bottom to turn off power. To begin vacuuming, slide switch to the appropriate setting.



SETTING I

Bare Floor/Small Area Rugs
The brushroll spins slowly to clean bare floors and small area rugs.

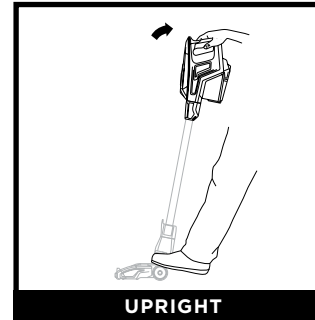


SETTING II

Carpet
The brushroll spins faster to pick up debris below the surface of your carpets.

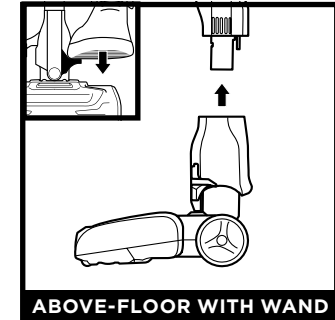
NOTE: For deep cleaning per ASTM F 608 (embedded dirt in carpets) please use setting II, Carpet.
NOTE: Select Carpet for stuck-on dust and debris.

CLEANING MODES



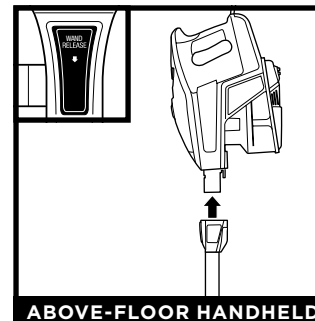
UPRIGHT

To clean floors, step on floor nozzle and tilt handheld vacuum back.



ABOVE-FLOOR WITH WAND

Detach the wand for more reach to clean baseboards, ceiling fans, window sills, and other hard-to-access areas. Stand the vacuum upright, then step on the foot pedal of the floor nozzle and pull the wand up to detach it.



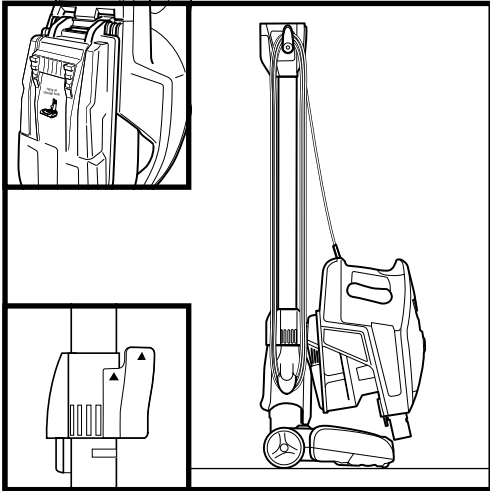
ABOVE-FLOOR HANDHELD

Press the **Wand Release** button to lift the handheld vacuum off the wand. Great for cleaning stairs and furniture.

NOTE: All accessories are compatible with both the wand and the handheld vacuum.

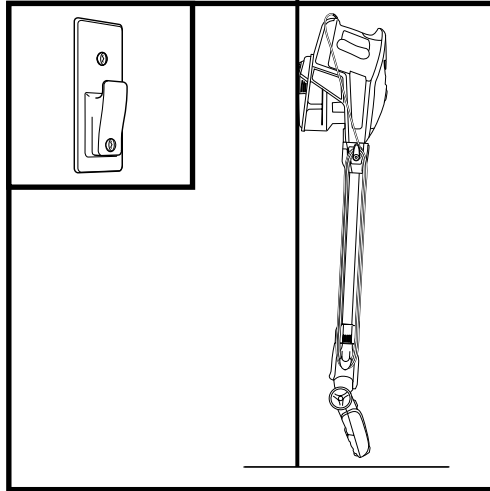
STORAGE

ONBOARD HOOK



Press the wand release button on the top of the wand to detach the handheld vacuum. Align the catch on the bottom of the handheld vacuum with the storage hook on the wand. Slide the handheld vacuum down so it hangs from the hook. Wrap the cord around the two cord hooks, starting with the top hook, leaving a little slack.

WALL MOUNT



For convenient storage above the floor, a wall mount is available for purchase on sharkaccessories.com. It comes with hardware and an instruction sheet with a mounting template.

AVAILABLE ACCESSORIES

NOTE: Not all accessories come with all units. For a list of the accessories included with this model, see the top inside flap of the box. To order additional accessories, visit sharkaccessories.com.

A Crevice Tool

Clean in corners and other tight spaces or reach baseboards and ceilings with this slim crevice tool.

B Dusting Brush

This brush dusts and cleans delicate surfaces. Great for use on fans, blinds, lampshades, and keyboards.

C Upholstery Tool

Picks up pet hair, dust, and large debris from mattresses, couches, curtains, and other delicate upholstered fabrics.

D Pet Multi-Tool

A single convertible tool for cleaning tough pet messes two ways: use the stiff bristle brush to clean stuck-on debris, or take off the bristles to reveal an upholstery tool perfect for removing stubborn pet hair and large piles of debris.

E Pet Crevice Tool

Two cleaning tools in one. The crevice tool gives you extended reach to clean in tight spaces, while the soft brush is ideal for dusting delicate surfaces.

F Anti-Allergen Dust Brush

This brush features nylon fiber bristles specifically designed for removing fine dust and allergen particles from the most delicate surfaces.

G Mini Motorized Brush

Powered by a motor, this small brush removes the clingiest pet hair and extracts dirt, dust, dander, and allergens from deep inside pillows, upholstery, and carpets.

H Under-Appliance Wand

Clean under and behind hard-to-move appliances and furniture with this adjustable 36" tool. Flip the extension piece over to clean the underside of appliances.

I Home & Car Detail Kit

Deep-clean your car like a professional detailer, or clean hard-to-reach areas in your home. Micro-sized tools let you clean around delicate objects and access the tightest spaces like car vents and computer keyboards.

J Large Accessory Bag

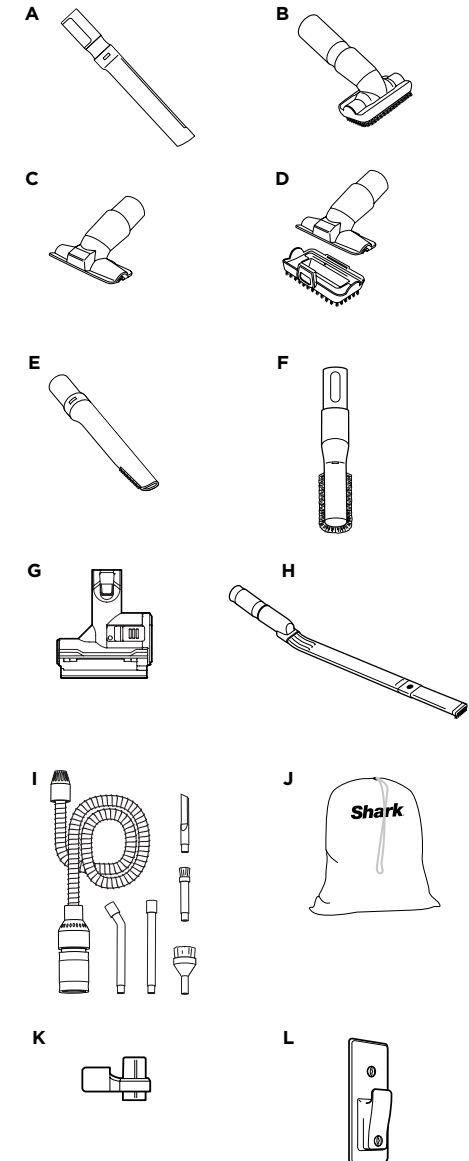
This convenient accessory storage bag measures 32 cm x 70 cm and fits the Under-Appliance Wand. Smaller size available at sharkaccessories.com

K Onboard Storage Clip

This removable clip attaches to your vacuum. The clip can store up to two accessories at a time while you clean.

L Wall Mount

Install the mount to hang your vacuum on the wall for convenient storage. Includes screws, anchors, and instruction sheet with mounting template for easy installation.

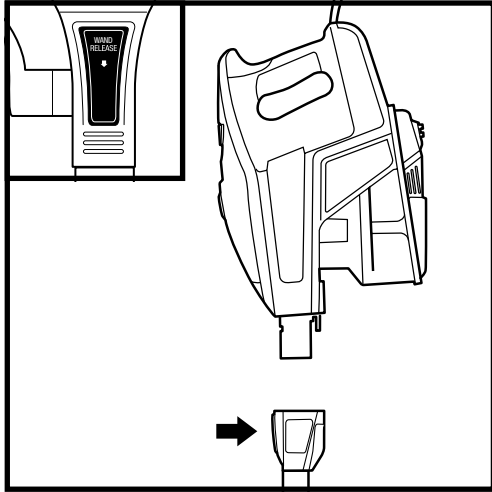


MAINTENANCE

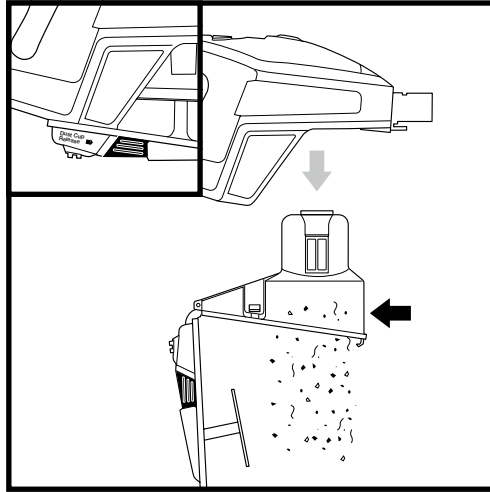
IMPORTANT: Unplug the vacuum before performing any maintenance.

EMPTYING THE DUST CUP

Empty the dust cup each time you vacuum and periodically during cleaning, when debris in the dust cup reaches the MAX fill line.

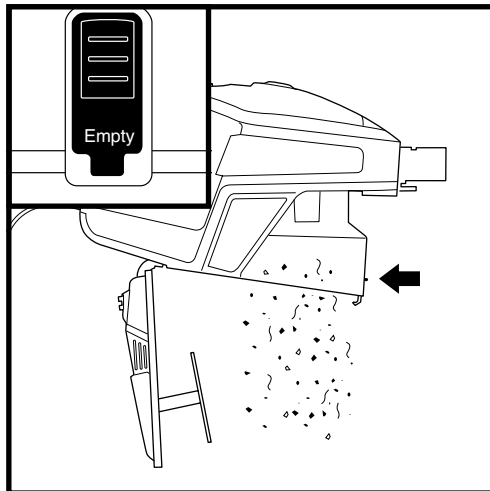


Press the wand release button and lift the handheld vacuum off the wand.



To remove the dust cup from the handheld vacuum, squeeze the two **Dust Cup Release** buttons at the same time and pull out the dust cup. Press the **Empty** button on the front of the dust cup.

OR



With the dust cup attached to the handheld vacuum, press the Empty button on the front of the dust cup.

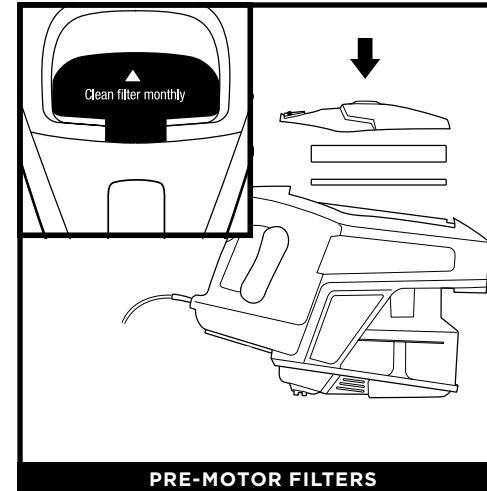
MAINTENANCE

IMPORTANT: Unplug the vacuum before performing any maintenance.

CLEANING FILTERS

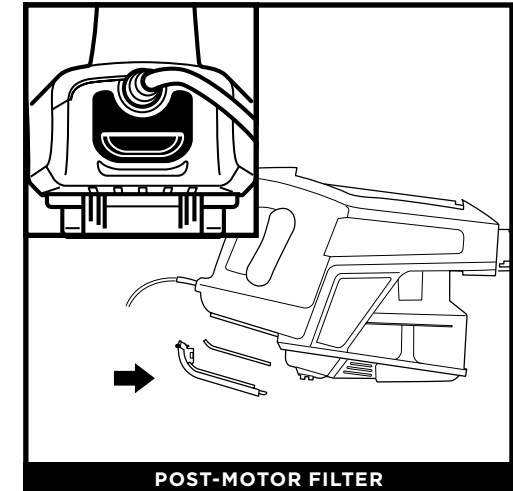
Regularly clean and replace the filters to keep your vacuum's suction power optimal.

IMPORTANT: To prevent damage, rinse filters with water **ONLY**. **DO NOT** use soap. Allow filters to air-dry for at least 24 hours before reinstalling them to prevent liquid from being drawn into electric parts.



PRE-MOTOR FILTERS

The **Pre-Motor Filters** should be washed once a month.



POST-MOTOR FILTER

The **Post-Motor Filter** should be washed once every year.

REPLACEMENT FILTERS

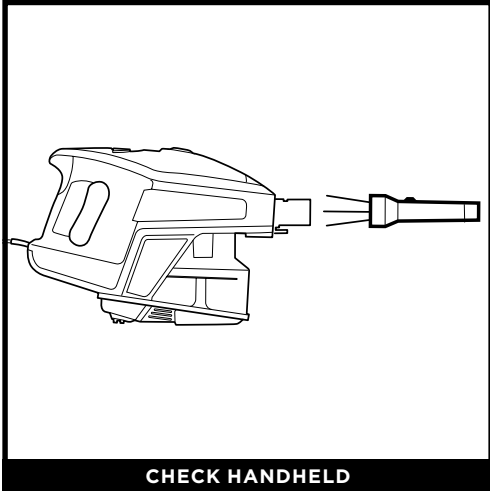
Replacement Pre-Motor Filter Kit
XPMFK320

Replacement Post-Motor Filter
1084FTV320

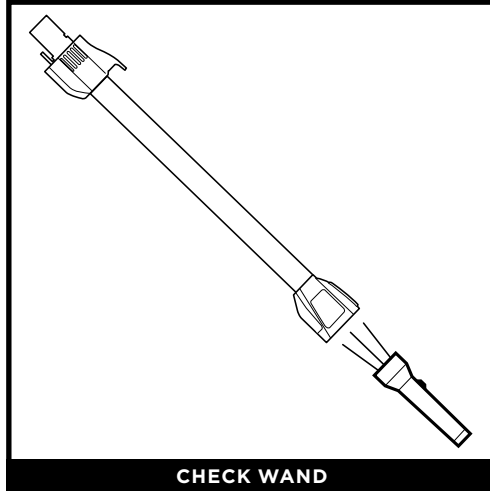
NOTE: The pre-motor filters should be replaced every 2.5 years. The post-motor filter should be replaced every 3 years.

MAINTENANCE

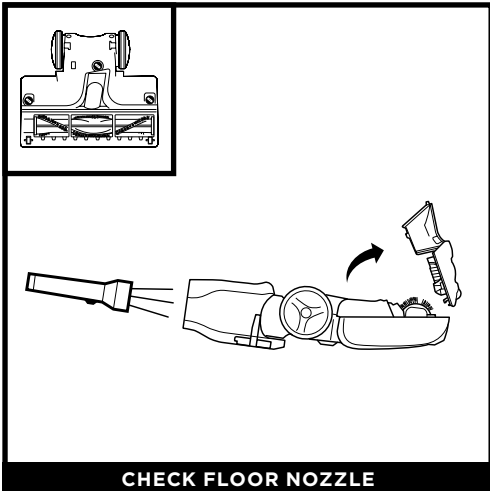
CHECKING FOR BLOCKAGES



Remove the wand from the handheld vacuum and check all dust cup intake openings.



Detach the wand and check it for blockages.

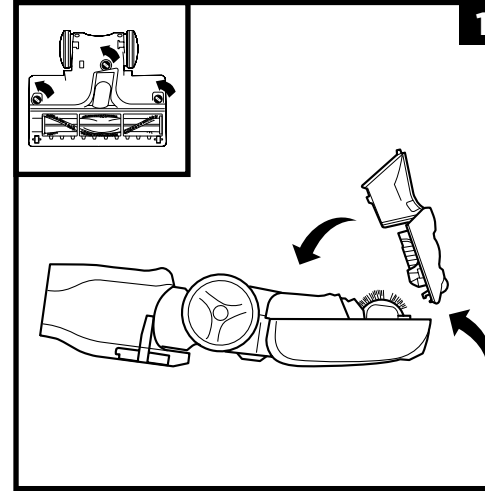


Detach the wand. Turn the floor nozzle over and use the edge of a coin to open the three locks on the bottom of the floor nozzle.

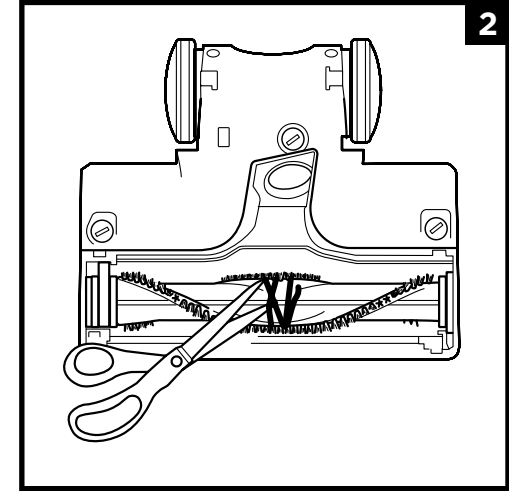
Tilt back the neck of the nozzle and check openings for blockages. To reinstall the cover, line it up, then press down until it clicks into place. Use the edge of a coin to close the three locks on the bottom of the nozzle.

MAINTENANCE

CLEANING THE BRUSHROLL



To access the brushroll, flip the floor nozzle over and use the edge of a coin to open the three locks on the bottom of the floor nozzle.



Run scissors along the groove in the brushroll to cut or clear away any string, carpet fibers, hair, or other debris.

To reinstall the cover, line it up, then rotate down until it clicks into place. Use the edge of a coin to close the three locks on the bottom of the nozzle.

TROUBLESHOOTING

Vacuum is not picking up debris. No suction or light suction. (Refer to Maintenance section for more information.)

- Check filters to see if they need cleaning. Follow instructions for rinsing and completely air-drying the filters before reinserting them in the vacuum.
- Dust cup may be full; empty dust cup.
- Check floor nozzle for blockages; clear blockages if required.
- Remove any string, carpet fibers, or hair that may be wrapped around the brushroll.

Vacuum lifts area rugs.

- Suction is powerful. Take care when vacuuming area rugs or rugs with delicately sewn edges.
- Turn off the unit to disengage the brushroll. To restart, slide the power switch to setting I, Bare Floor/Small Area Rugs.

Brushroll does not spin.

- If Brushroll Indicator light is red, that means there is a blockage in the brushroll area. Immediately turn off and unplug vacuum and remove blockage. Plug in vacuum and turn it on.
- If Brushroll Indicator Light on the floor nozzle is green, the blockage has been successfully cleared. If the light is still red, please contact Customer Service at 1-800-798-7398.

Vacuum turns off on its own or indicator light flashes red.

If your vacuum overheats, the thermostat will automatically turn off the motor. Perform the following steps to restart:

1. Turn vacuum off and unplug it.
2. Empty dust cup and clean filters (see Maintenance section).
3. Check for blockages in wand, accessories, and inlet openings.
4. Allow unit to cool for a minimum of 60 minutes.
5. Plug in vacuum and turn it on.

Shark | NINJA

FIVE (5) YEAR LIMITED WARRANTY

The Five (5) Year Limited Warranty applies to purchases made from authorized retailers of **SharkNinja Operating LLC**. Warranty coverage applies to the original owner and to the original product only and is not transferable.

SharkNinja warrants that the unit shall be free from defects in material and workmanship for a period of five (5) years from the date of purchase when it is used under normal household conditions and maintained according to the requirements outlined in the Owner's Guide, subject to the following conditions and exclusions:

What is covered by this warranty?

1. The original unit and/or non-wearable parts deemed defective, in SharkNinja's sole discretion, will be repaired or replaced up to five (5) years from the original purchase date.
2. In the event a replacement unit is issued, the warranty coverage ends six (6) months following the receipt date of the replacement unit or the remainder of the existing warranty, whichever is later. SharkNinja reserves the right to replace the unit with one of equal or greater value.

What is not covered by this warranty?

1. Normal wear and tear of wearable parts (such as foam filters, HEPA filters, pads, etc.), which require regular maintenance and/or replacement to ensure the proper functioning of your unit, are not covered by this warranty. Replacement parts are available for purchase at sharkaccessories.com.
2. Any unit that has been tampered with or used for commercial purposes.
3. Damage caused by misuse (e.g., vacuuming up water or other liquids), abuse, negligent handling, failure to perform required maintenance (e.g., not cleaning the filters), or damage due to mishandling in transit.
4. Consequential and incidental damages.
5. Defects caused by repair persons not authorized by SharkNinja. These defects include damages caused in the process of shipping, altering, or repairing the SharkNinja product (or any of its parts) when the repair is performed by a repair person not authorized by SharkNinja.
6. Products purchased, used, or operated outside North America.

How to get service

If your appliance fails to operate properly while in use under normal household conditions within the warranty period, visit sharkclean.com/support for product care and maintenance self-help. Our Customer Service Specialists are also available at **1-800-798-7398** to assist with product support and warranty service options, including the possibility of upgrading to our VIP warranty service options for select product categories. So we may better assist you, please register your product online at registryyourshark.com and have the product on hand when you call.

SharkNinja will cover the cost for the customer to send in the unit to us for repair or replacement. A fee of \$24.95 (subject to change) will be charged when SharkNinja ships the repaired or replacement unit.

How to initiate a warranty claim


You must call **1-800-798-7398** to initiate a warranty claim. You will need the receipt as proof of purchase. We also ask that you register your product online at registryyourshark.com and have the product on hand when you call, so we may better assist you. A Customer Service Specialist will provide you with return and packing instruction information.


How state law applies

This warranty gives you specific legal rights, and you also may have other rights that vary from state to state. Some states do not permit the exclusion or limitation of incidental or consequential damages, so the above may not apply to you.

NOTES

REGISTER YOUR PURCHASE

 registeryourshark.com

 Scan QR code using mobile device



RECORD THIS INFORMATION

Model Number: _____

Date Code: _____

Date of Purchase: _____
(Keep receipt)

Store of Purchase: _____

TECHNICAL SPECIFICATIONS

Voltage: 120V~, 60Hz

Watts: 500W

Benefits of registering your product and creating an account:

- Get easier, faster product support and access to warranty information
- Access troubleshooting and product care instructions
- Be among the first to know about exclusive product promotions

TIP: The model number is on the rating label behind the dust cup.

TIP: The date code is on one of the prongs of the power cord plug.

IMPORTANTES CONSIGNES DE SÉCURITÉ

USAGE DOMESTIQUE SEULEMENT

Pour réduire le risque de décharges électriques, cet aspirateur est muni d'une fiche polarisée (une lame est plus large que l'autre). Comme précaution, cette fiche s'insère dans une prise polarisée dans un seul sens. Si la fiche d'alimentation ne s'insère pas à fond dans la prise de courant, inversez alors le sens de la fiche. Si elle ne s'insère toujours pas, communiquez avec un électricien qualifié. **NE FORCEZ PAS** pour insérer la fiche dans la prise, et ne tentez pas de la modifier.

⚠ AVERTISSEMENT

AFIN DE RÉDUIRE LES RISQUES D'INCENDIE, D'ÉLECTROCUTION OU DE BLESSURE :

AVERTISSEMENTS GÉNÉRAUX

Lors de l'utilisation d'un appareil électrique, des précautions de base doivent toujours être suivies, y compris les suivantes :

1. Votre aspirateur pourrait être composé d'une buse motorisée, d'un tube, d'un tuyau ou d'un réceptacle. Cet appareil comporte des raccordements électriques, du câblage électrique et des pièces amovibles pouvant exposer l'utilisateur à certains risques.
2. Utilisez uniquement des pièces de rechange identiques.
3. Respectez et suivez attentivement les instructions ci-dessous afin d'éviter tout usage inadéquat de l'appareil. **N'UTILISEZ PAS** l'aspirateur pour un usage autre que ceux décrits dans le présent manuel.
4. Avant d'utiliser l'appareil, inspectez soigneusement toutes les pièces afin de déceler tout dommage. **NE L'UTILISEZ PAS** s'il est endommagé.
5. L'utilisation d'une rallonge électrique **N'EST PAS** recommandée.
6. Cet aspirateur ne renferme aucune pièce qui peut être réparée.

AVERTISSEMENTS CONCERNANT L'UTILISATION

7. Cet appareil peut être utilisé par des personnes dont les capacités physiques, sensorielles ou mentales sont réduites ou qui manquent d'expérience et de connaissances seulement si elles ont été supervisées ou instruites par rapport à l'utilisation sécuritaire de l'appareil et si elles comprennent les dangers possibles. Les enfants ne peuvent pas nettoyer ni

entretenir l'appareil. Gardez l'appareil et son câble hors de la portée des enfants. **NE LAISSEZ PAS** les enfants se servir de l'appareil. **NE PERMETTEZ PAS** de l'utiliser comme un jouet. Une surveillance étroite est nécessaire lorsque l'appareil est utilisé en présence d'enfants.

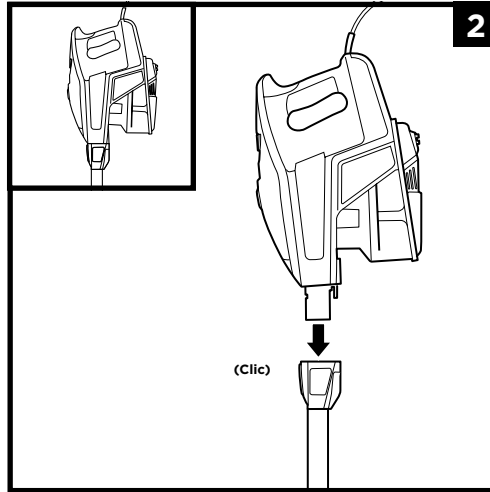
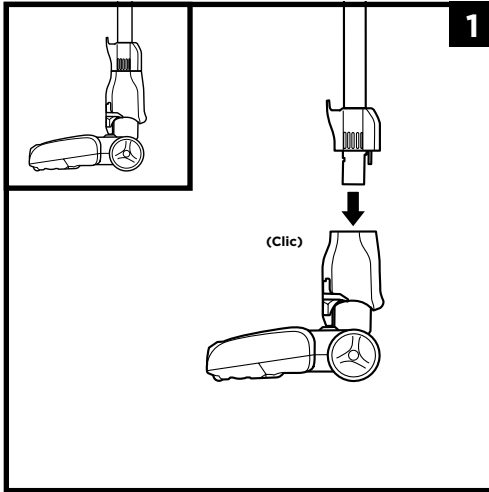
8. Mettez toujours l'aspirateur hors tension avant d'attacher ou de détacher la buse motorisée ou un autre accessoire.
9. **NE MANIPULEZ PAS** la fiche ou l'aspirateur avec les mains mouillées.
10. **N'UTILISEZ PAS** l'appareil si les filtres ne sont pas en place.
11. Utilisez uniquement des filtres et des accessoires de marque Shark®. **12. PRENEZ SOIN DE NE PAS ENDOMMAGER** le cordon d'alimentation :
 - a) **N'UTILISEZ PAS** le cordon d'alimentation comme poignée pour porter ou pour tirer l'aspirateur.
 - b) **NE DÉBRANCHEZ PAS** l'appareil en tirant sur le cordon d'alimentation. Agrippez la fiche et non le cordon.
 - c) **NE PASSEZ PAS** l'aspirateur par-dessus le cordon d'alimentation, ne fermez pas une porte sur le cordon, ne tirez pas le cordon sur des coins pointus et ne laissez pas le cordon près de surfaces chaudes.
13. **ÉVITEZ** d'insérer des objets dans les ouvertures de la buse ou de tout autre accessoire. **N'UTILISEZ PAS** l'appareil si une ouverture est obstruée. Veillez à ce que les ouvertures ne soient pas bloquées par de la poussière, de la peluche, des cheveux ou tout autre élément qui pourrait gêner la circulation de l'air.

CONSERVEZ CES INSTRUCTIONS

LISEZ TOUTES LES INSTRUCTIONS AVANT L'UTILISATION

14. **N'UTILISEZ PAS** l'appareil si le flux d'air de la buse ou de l'accessoire est obstrué. Si la buse de plancher motorisée ou les conduits d'air deviennent obstrués, éteignez l'aspirateur et débranchez-le de la prise de courant. Retirez toute obstruction avant de remettre l'appareil en marche.
 15. Tenez la buse et tous les orifices de l'aspirateur éloignés des cheveux, du visage, des doigts, des pieds déchaussés ou des vêtements amples.
 16. **N'UTILISEZ PAS** l'aspirateur s'il ne fonctionne pas comme prévu, ou s'il a été échappé sur le sol, endommagé, laissé à l'extérieur ou immergé.
 17. Soyez extrêmement prudent lorsque vous nettoyez les escaliers.
 18. **NE LAISSEZ PAS** l'aspirateur sans surveillance lorsqu'il est branché.
 19. Lorsqu'il est en marche, gardez l'aspirateur en mouvement sur le tapis en tout temps, afin d'éviter d'endommager les fibres du tapis.
 20. **NE PLACEZ PAS** l'aspirateur sur des surfaces instables comme des chaises ou des tables.
 21. Votre aspirateur Shark® pourrait ne pas avoir été conçu pour se maintenir de lui-même en position verticale. Lorsque vous prenez une pause, vous devez peut-être l'appuyer contre un meuble ou un mur, ou le placer sur le plancher. Toute utilisation où l'aspirateur serait dans une position instable pourrait entraîner des blessures corporelles.
 22. **N'UTILISEZ PAS** l'appareil pour aspirer :
 - a) Des liquides
 - b) Des objets de grande taille
 - c) Des objets durs ou tranchants (verre, clous, vis ou pièces de monnaie)
 - d) De grandes quantités de poussière (poussière de cloison sèche, cendres ou braises de foyer). **N'UTILISEZ PAS** l'aspirateur comme accessoire pour un outil électrique pour l'aspiration de la poussière.
 - e) Des objets fumants ou brûlants (charbons ardents, mégots de cigarettes ou allumettes)
 - f) Des matériaux inflammables ou combustibles (essence à briquet, essence ou kérosène)
 - g) Des matières toxiques (eau de Javel, ammoniaque ou produit débouchant)
23. **N'UTILISEZ PAS** l'appareil dans les endroits suivants :
 - a) Endroits faiblement éclairés
 - b) Surfaces humides ou mouillées
 - c) À l'extérieur
 - d) Dans des endroits fermés pouvant contenir des matières explosives, ou des fumées ou vapeurs toxiques (essence à briquet, essence, kérosène, peinture, diluants à peinture, produits de traitement antimite ou poussières inflammables).
 24. Fermez toutes les commandes avant de brancher ou de débrancher l'aspirateur.
 25. Débranchez l'appareil de la prise murale lorsqu'il n'est pas en usage, et avant d'en faire l'entretien ou de le nettoyer.
 26. Lavez à la main, avec de l'eau seulement. L'utilisation de produits chimiques de nettoyage pourrait endommager l'appareil.
 27. Pendant le nettoyage ou l'entretien, **NE COUPEZ AUCUNE** matière autre que des cheveux, des fibres ou de la ficelle enroulés autour de la brosse rotative.
 28. Laissez tous les filtres sécher complètement avant de les remettre dans l'aspirateur, afin d'éviter que du liquide ne soit aspiré dans les composants électriques.
 29. Après avoir effectué l'entretien de routine, assurez-vous que le récipient à poussière et tous les filtres sont en place.
 30. Le cas échéant, fixez le cordon d'alimentation autour des deux crochets avant de ranger l'appareil.

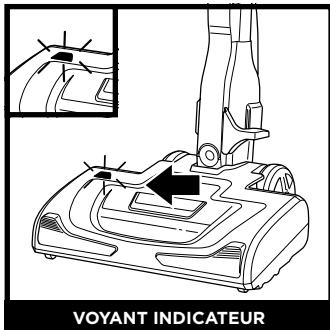
ASSEMBLAGE



1. Insérez le **tube** dans la **buse de plancher**.
2. Insérez l'**aspirateur portable** dans le tube.

Assurez-vous que tous les raccords sont bien enclenchés.

VOYANT INDICATEUR DE LA BROSE ROTATIVE



VOYANT INDICATEUR

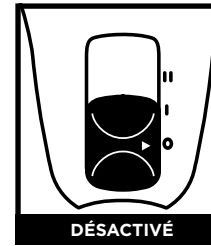
QU'INDIQUENT LES VOYANTS INDICATEURS DE LA BROSE ROTATIVE?

Vert fixe : La brosse rotative est en marche et fonctionne comme elle se doit.

Rouge fixe : Une obstruction a été détectée dans la zone de la brosse rotative. Éteignez l'aspirateur et retirez l'élément qui cause l'obstruction dans la buse.

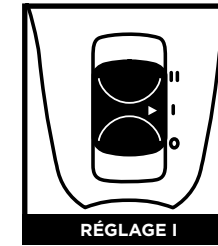
Rouge clignotant : La buse de plancher motorisée surchauffe. Éteignez l'aspirateur et laissez-le refroidir pendant au moins 60 minutes.

RÉGLAGES



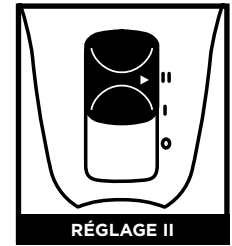
DÉSACTIVÉ

Baissez l'interrupteur pour couper l'alimentation. Pour commencer à aspirer, faites glisser l'interrupteur au réglage approprié.



RÉGLAGE I

Planchers/carpettes
Les brosses rotatives tournent lentement pour nettoyer les planchers nus et les carpes.



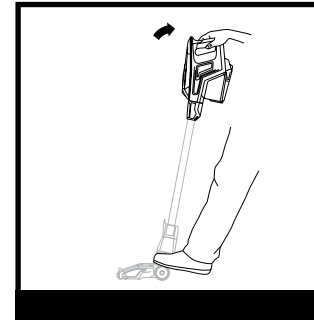
RÉGLAGE II

Tapis
Les brosses rotatives tournent plus rapidement pour aspirer les débris qui se trouvent sous la surface de vos tapis.

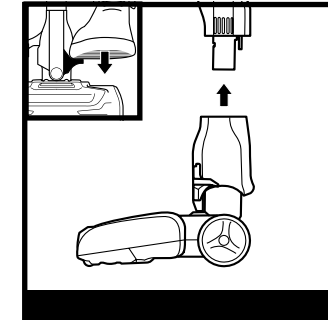
REMARQUE : Pour un nettoyage en profondeur conformément à la norme ASTM F 608 (saleté incrustée dans les tapis), veuillez utiliser le réglage II, soit le mode pour tapis.

REMARQUE : Sélectionnez le mode Tapis pour la poussière et les débris collés.

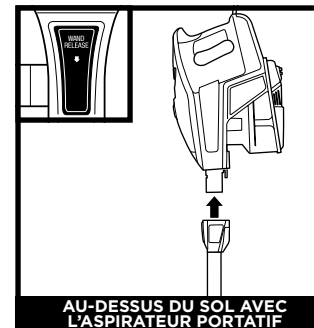
MODES DE NETTOYAGE



Pour nettoyer les planchers, appuyez sur la buse de plancher et inclinez vers l'arrière l'aspirateur portable.



Détacher le tube pour obtenir un meilleur accès permettant de nettoyer les plinthes, les ventilateurs de plafond, les rebords de fenêtre et d'autres endroits difficiles d'accès. Pour détacher le tube de la buse de plancher, placez l'aspirateur en position debout, appuyez sur la pédale de la buse et tirez le tube vers le haut.

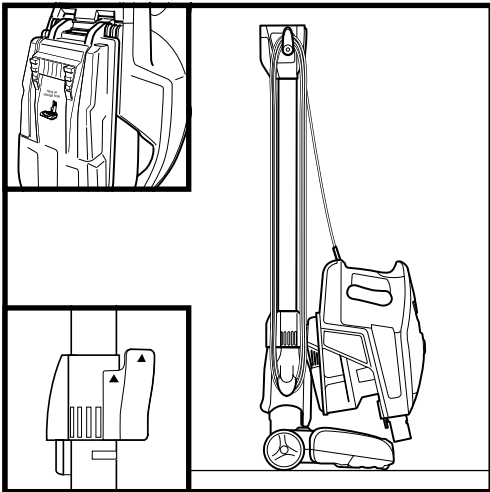


AU-DESSUS DU SOL AVEC L'ASPIRATEUR PORTATIF

Appuyez sur le bouton **Wand Release** (dégagement du tube) pour soulever l'aspirateur portable et le retirer du tube. Idéal pour nettoyer les escaliers et les meubles.

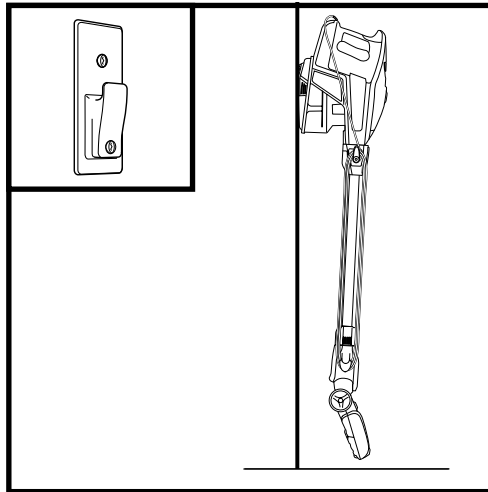
REMARQUE : Tous les accessoires sont compatibles avec le tube et l'aspirateur portable.

CROCHET INTÉGRÉ



Appuyez sur le bouton Wand Release (dégagement du tube) situé dans la partie supérieure du tube pour dégager l'aspirateur portatif. Alignez le collecteur de la partie inférieure de l'aspirateur portatif avec le crochet de rangement situé sur le tube. Faites glisser l'aspirateur portatif de manière à ce qu'il pende du crochet. Enroulez le cordon autour des deux crochets d'enroulement du cordon en commençant par celui du haut et en laissant un peu de jeu.

SUPPORT MURAL



Pour un rangement commode au-dessus du sol, vous pouvez acheter un support mural offert sur le site sharkaccessories.com. Ce support comprend la quincaillerie nécessaire ainsi qu'un feuillet d'instructions avec modèle de montage.

REMARQUE : Tous les accessoires ne sont pas fournis avec tous les appareils. Veuillez consulter le rabat intérieur de la boîte pour la configuration de votre appareil. Pour acheter des accessoires additionnels, consultez le site sharkaccessories.com.

A Suceur plat

Utilisez le suceur plat mince pour nettoyer les coins et les espaces restreints ou pour atteindre les plinthes et les plafonds.

B Brosse à épousseter

Enlève les cheveux, la poussière et les gros débris des matelas, des canapés, des rideaux et des autres surfaces délicates de vos meubles.

C Outil à meubles

Idéal pour retirer les poils d'animaux et la charpie des meubles et d'autres surfaces rembourrées.

D Accessoire polyvalent pour les poils d'animaux de compagnie

Un seul outil convertible pour nettoyer les dégâts des animaux de compagnie de deux manières : tout d'abord, une brosse aux soies rigides pour nettoyer les débris tenaces, ou retirez la brosse à poils pour révéler un outil à meubles parfait pour nettoyer les poils d'animaux tenaces et les tas de débris.

E Outil suceur plat avec brosse à épousseter

Deux outils de nettoyage en un. Le suceur plat vous permet de mieux atteindre des espaces restreints à nettoyer, tandis que la brosse douce à épousseter est parfaite pour nettoyer des surfaces délicates.

F Balais à poussière anti-allergène

Cette brosse comporte des soies de fibres de nylon spécialement conçues pour enlever la poussière fine et les particules allergènes des surfaces les plus délicates.

G Mini brosse motorisée

Propulsée par un moteur, cette petite brosse élimine les poils d'animaux les plus collants et extrait saleté, poussière, squames et allergènes des oreillers, des meubles en tissu et des tapis.

H Tube d'extension pour l'espace sous les meubles

Utilisez cet accessoire réglable de 91,4 cm (36 po) pour nettoyer en dessous et à l'arrière des meubles et des appareils électroménagers difficiles à déplacer. Retournez l'accessoire de rallonge pour nettoyer en dessous des appareils électroménagers.

I Ensemble pour maison et voiture

Nettoyez votre voiture en profondeur, comme un détaillant professionnel, ou nettoyez les zones difficiles à atteindre de votre maison. Des micro-outils vous permettent de nettoyer autour d'objets délicats et d'accéder aux espaces les plus exigus, comme les bouches d'aération de voiture et les claviers d'ordinateur.

J Grand sac d'accessoires

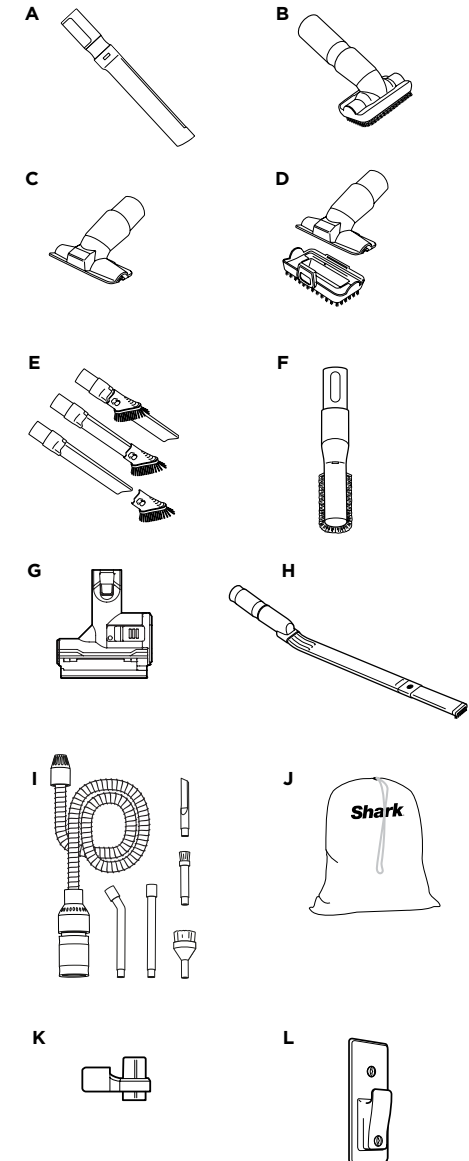
Ce pratique sac de rangement pour accessoires mesure 32 cm x 70 cm et peut contenir le tube d'extension pour l'espace sous les meubles. Un plus petit format est disponible sur sharkaccessories.com.

K Attache de rangement intégrée

Cette attache amovible se fixe à votre aspirateur. L'attache peut comporter jusqu'à deux accessoires en même temps lors du nettoyage.

L Support mural

Installez le support pour accrocher votre aspirateur au mur pour un rangement commode. Comprend vis, chevilles et feuille d'instructions, avec modèle de montage facilitant l'installation.

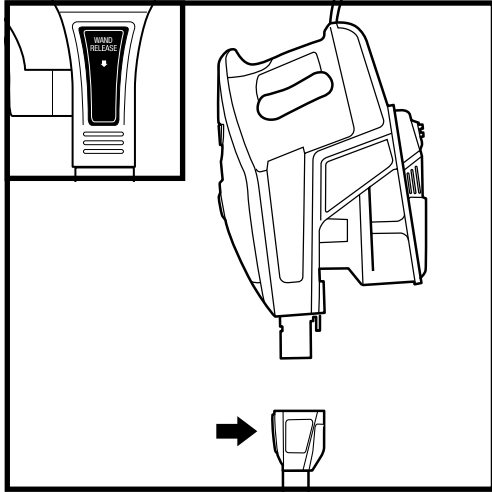


ENTRETIEN

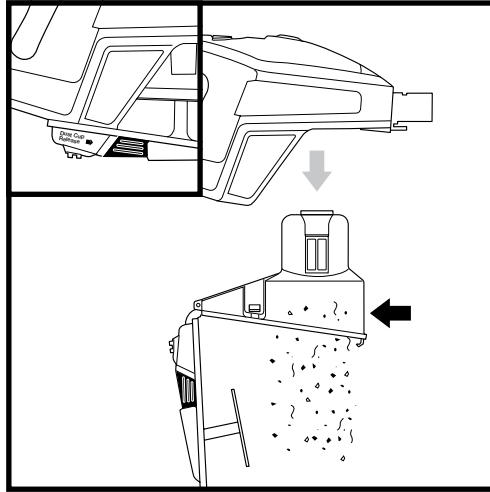
IMPORTANT : Débranchez l'aspirateur avant d'effectuer tout entretien.

VIDANGE DU RÉCIPIENT À POUSSIÈRE

Videz le récipient à poussière chaque fois que vous passez l'aspirateur et périodiquement pendant le nettoyage, lorsque les débris dans le récipient atteignent la ligne MAX fill (remplissage maximal).

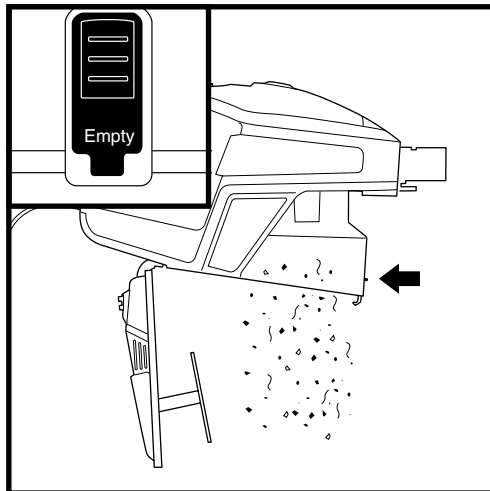


Appuyez sur le bouton de dégagement du tube et soulevez l'aspirateur portable pour le retirer du tube.



Pour retirer le récipient à poussière de l'aspirateur portable, appuyez simultanément sur les deux boutons **Dust Cup Release** (déverrouillage du récipient à poussière), puis retirez le récipient à poussière. Appuyez sur le bouton **Empty** (vidange) situé à l'avant du récipient à poussière.

OU



Avec le récipient à poussière fixé à l'aspirateur portable, appuyez sur le bouton Empty (vidage) situé à l'avant du récipient.

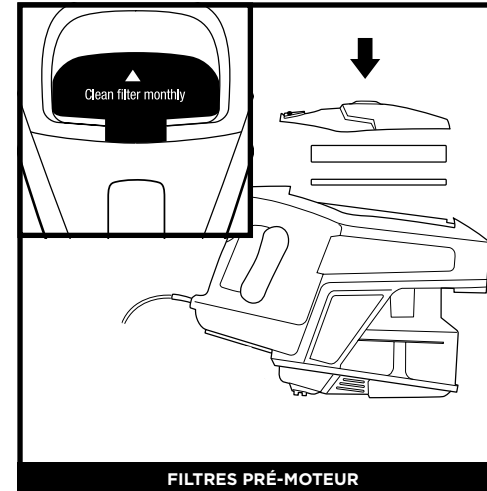
ENTRETIEN

IMPORTANT : Débranchez l'aspirateur avant d'effectuer tout entretien.

NETTOYAGE DES FILTRES

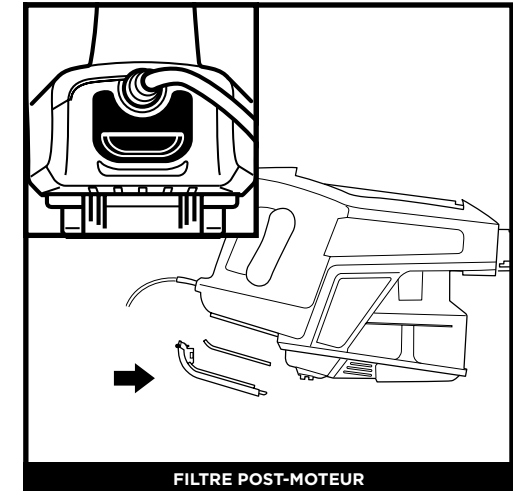
Nettoyez régulièrement et remplacez les filtres afin de conserver la puissance d'aspiration optimale de votre aspirateur.

IMPORTANT : Pour éviter les dommages, rincez les filtres **UNIQUEMENT** avec de l'eau. **N'UTILISEZ PAS** de savon. Laissez les filtres sécher pendant au moins 24 heures avant de les remettre dans l'aspirateur pour éviter que de l'eau soit aspirée dans les composants électriques.



FILTRES PRÉ-MOTEUR

Les **filtres pré-moteur** devraient être lavés une fois par mois.



FILTRE POST-MOTEUR

Le **filtre post-moteur** devrait être lavé une fois tous les ans.

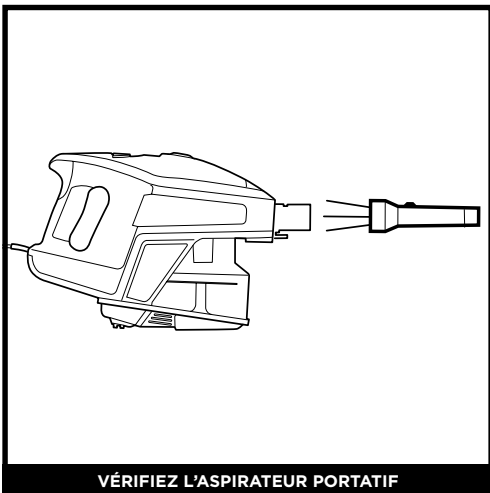
FILTRES DE REMPLACEMENT

Trousse de remplacement du filtre pré-moteur
XPMFK320

Filtre de remplacement post-moteur
1084FTV320

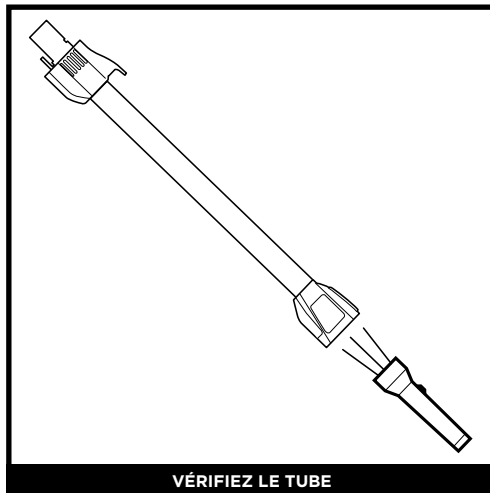
REMARQUE : Les filtres pré-moteur devraient être remplacés tous les 2 ans et demi. Le filtre post-moteur devrait être remplacé tous les 3 ans.

VÉRIFICATION DE LA PRÉSENCE D'OBSTRUCTIONS



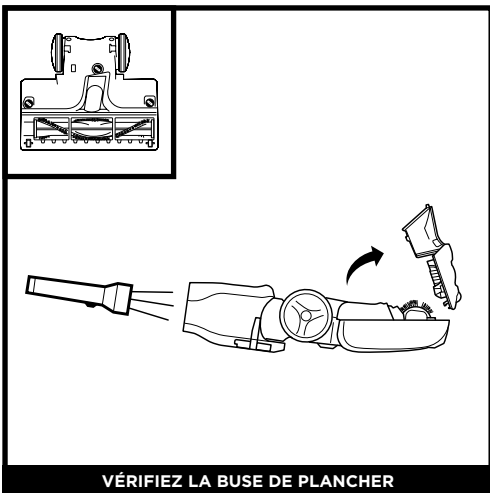
VÉRIFIEZ L'ASPIRATEUR PORTATIF

Retirez le tube de l'aspirateur portatif et vérifiez toutes les entrées du récipient à poussière.



VÉRIFIEZ LE TUBE

Détachez le tube et vérifiez qu'il n'est pas obstrué.

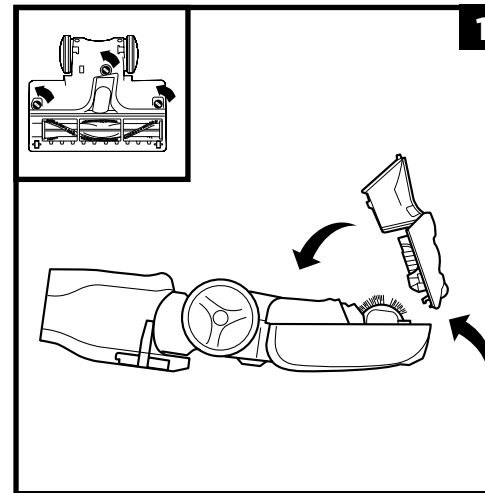


VÉRIFIEZ LA BUSE DE PLANCHER

Détachez le tube. Retournez la buse de plancher et, à l'aide d'une pièce de monnaie, ouvrez les trois verrous de la partie inférieure de la buse de plancher.

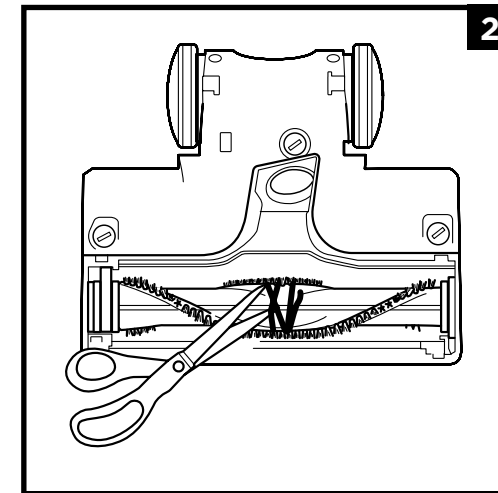
Inclinez en arrière le col de la buse, et vérifiez la présence d'obstructions dans les ouvertures. Pour replacer le couvercle, alignez-le puis appuyez jusqu'à ce qu'il s'enclenche. À l'aide d'une pièce de monnaie, refermez les trois verrous de la partie inférieure de la buse de plancher.

NETTOYAGE DE LA BROSE ROTATIVE



1

Pour accéder à la brosse rotative, renversez la buse de plancher et, à l'aide d'une pièce de monnaie, ouvrez les trois verrous de la partie inférieure de la buse de plancher.



2

Pour retirer les ficelles, les fibres de tapis, les cheveux ou les débris, passez des ciseaux le long de la rainure de la brosse rotative.

Pour replacer le couvercle, alignez-le puis tournez-le jusqu'à ce qu'il s'enclenche. À l'aide d'une pièce de monnaie, refermez les trois verrous de la partie inférieure de la buse de plancher.

L'aspirateur ne ramasse pas la poussière. Aucune aspiration ou aspiration faible. (Consultez la section Entretien pour obtenir plus de renseignements.)

- Vérifiez si les filtres doivent être nettoyés. Suivez les instructions de rinçage et de séchage des filtres avant de les remettre dans l'aspirateur.
- Le récipient à poussière pourrait être plein; videz-le, le cas échéant.
- Vérifiez la buse de plancher pour voir si elle est obstruée. Retirez toute obstruction, au besoin.
- Retirez les ficelles, fibres de tapis ou cheveux qui pourraient être enroulés autour de la brosse rotative.

L'aspirateur soulève les carpettes.

- La succion est puissante. Faites attention lorsque vous passez l'aspirateur sur les carpettes et les tapis à bordure cousue délicatement.
- Éteignez l'appareil pour enlever la brosse rotative. Pour l'allumer à nouveau, faites glisser l'interrupteur d'alimentation au réglage I, Planchers/carpettes.

La brosse rotative ne tourne pas.

- Si le voyant indicateur de la brosse rotative est rouge, cela indique une obstruction dans la zone de la brosse rotative. Éteignez l'appareil immédiatement, et débranchez-le pour retirer l'obstruction. Branchez l'aspirateur et mettez-le en marche.
- Si le voyant indicateur de la brosse rotative figurant sur la buse de plancher s'allume en vert, cela signifie que l'obstruction a été retirée. Si le voyant continue de s'allumer en rouge, communiquez avec le Service à la clientèle, au 1 800 798-7398.

L'aspirateur s'éteint tout seul ou le voyant indicateur clignote en rouge.

En cas de surchauffe de l'aspirateur, le thermostat éteint automatiquement le moteur de l'appareil. Suivez les étapes ci-dessous pour réinitialiser l'appareil :

1. Éteignez l'aspirateur et débranchez-le.
2. Videz le récipient à poussière et nettoyez les filtres (consultez la section Entretien).
3. Vérifiez s'il y a des obstructions dans le tube, les accessoires et les orifices d'entrée.
4. Laissez refroidir l'appareil pendant au moins 60 minutes.
5. Branchez l'aspirateur et mettez-le en marche.

GARANTIE LIMITÉE CINQ (5) AN

La garantie limitée cinq (5) an s'applique aux achats effectués auprès de détaillants autorisés de **SharkNinja Operating LLC**. La garantie s'applique uniquement au premier propriétaire et au produit original et n'est pas transférable.

SharkNinja garantit ce produit contre toute défectuosité de matériau ou de main-d'œuvre pour une période cinq (5) an à compter de la date d'achat, dans le cadre d'un usage domestique normal et si le produit est entretenu conformément aux exigences décrites dans le guide de l'utilisateur, sujet aux conditions, aux exclusions et aux exceptions ci-dessous.

Qu'est-ce qui est couvert par cette garantie?

1. L'appareil d'origine et/ou des pièces inusables considérés comme défectueux, à la seule discrétion de SharkNinja, seront réparés ou remplacés jusqu'à cinq (5) an à compter de la date d'achat initiale.
2. Dans le cas d'un remplacement de l'appareil, la garantie prendra fin six (6) mois après la date de réception de l'appareil de remplacement ou pendant le reste de la période de garantie existante, selon la période la plus longue. SharkNinja se réserve le droit de le remplacer par un appareil de valeur égale ou supérieure.

Qu'est-ce qui n'est pas couvert par cette garantie?

1. L'usure normale des pièces (comme les filtres en mousse, les filtres HEPA, les tampons, etc.) qui nécessitent un entretien et/ou un remplacement réguliers afin d'assurer le bon fonctionnement de votre appareil n'est pas couverte par cette garantie. Vous pouvez faire l'achat de pièces de rechange par l'entremise du site **sharkaccessories.com**.
2. La garantie ne s'applique pas aux appareils utilisés de façon abusive ou à des fins commerciales.
3. Les dommages causés par une mauvaise utilisation (comme aspirer de l'eau ou d'autres liquides), un abus, une négligence lors de la manipulation, un manquement à la l'entretien nécessaire (comme ne pas nettoyer les filtres), ou un dommage dû à une mauvaise manipulation pendant le transport.
4. Les dommages indirects et accessoires.
5. Les défectuosités causées par des réparateurs non autorisés par SharkNinja. Ces défectuosités incluent les dommages causés lors du processus d'expédition, de modification ou de réparation du produit SharkNinja (ou de l'une de ses pièces) lorsque la réparation est effectuée par un réparateur non autorisé par SharkNinja.
6. Les produits achetés, utilisés ou mis en fonction à l'extérieur de l'Amérique du Nord.

Comment obtenir du service

Si votre appareil ne fonctionne pas correctement lorsque vous l'utilisez normalement à domicile durant la période de garantie, visitez le **sharkclean.com/support** pour obtenir de l'information sur les soins et entretien du produit que vous pouvez effectuer vous-même. Nos spécialistes du service à la clientèle sont aussi disponibles au **1 800 798-7398** pour de l'assistance sur les produits et les options de garantie de service offertes, y compris la possibilité de passer à nos options de garantie de service VIP pour certaines catégories de produits. Afin que nous puissions mieux vous aider, veuillez enregistrer votre produit en ligne à l'adresse registeryourshark.com et avoir le produit en main lorsque vous nous appelez.

SharkNinja assumera les frais de retour de l'appareil à nos sites par le consommateur en vue de la réparation ou du remplacement de l'appareil. Un montant de 24,95 \$ (sujet à changement) sera facturé lorsque SharkNinja expédiera l'appareil réparé ou remplacé.

Comment présenter une demande de service sous garantie

Veuillez noter que vous devez téléphoner au **1 800 798-7398** pour soumettre une réclamation au titre de la garantie. Vous aurez besoin du reçu comme preuve d'achat. Nous vous demandons également d'enregistrer votre produit en ligne à l'adresse registeryourshark.com et d'avoir le produit en main lorsque vous nous appelez afin que nous puissions mieux vous aider. Un spécialiste du service à la clientèle vous fournira les directives d'emballage et de retour.


De quelle manière les lois d'État s'appliquent-elles?


Cette garantie vous accorde des droits spécifiques légaux et vous pouvez aussi bénéficier d'autres droits qui varient d'une province ou d'un État à l'autre. Certains États américains ou certaines provinces canadiennes n'acceptent pas l'exclusion ou la limitation de dommages accessoires ou indirects, ce qui fait que cette disposition peut ne pas s'appliquer à votre cas.

Si vous éprouvez toute autre difficulté, visitez sharkclean.com/support.

REMARQUES

ENREGISTREZ VOTRE ACHAT :

 registeryourshark.com

 Numérisez le code QR avec votre appareil mobile



CONSIGNEZ CES RENSEIGNEMENTS

Numéro de modèle : _____

Code de date : _____

Date d'achat : _____
(Conservez la facture)

Magasin où l'appareil a été acheté : _____

CARACTÉRISTIQUES TECHNIQUES

Tension électrique : 120 V, 60 Hz

Puissance : 500 W

Les avantages d'enregistrer votre produit et de créer un compte :

- Obtenez un support produit plus facile et plus rapide, et accédez aux informations de garantie
- Accédez aux instructions de dépannage et de maintenance produit
- Soyez parmi les premiers à connaître les promotions de produits exclusives

CONSEIL : Le numéro de modèle est indiqué sur la plaque signalétique à l'arrière de l'appareil.

CONSEIL : Le code de la date est indiqué sur l'une des broches du cordon d'alimentation.

INSTRUCCIONES IMPORTANTES DE SEGURIDAD

SOLO PARA USO DOMÉSTICO

Para reducir el riesgo de descarga eléctrica, esta aspiradora tiene un enchufe polarizado (una patilla es más ancha que la otra). Como función de seguridad, este enchufe cabe en la toma de corriente polarizada de una sola forma. Si el enchufe no cabe en la toma de corriente completamente, invierta el enchufe. Si de todas formas no encaja, comuníquese con un electricista calificado. NO lo fuerce en la toma de corriente ni intente modificarlo para que se adapte.

⚠ ADVERTENCIA

PARA REDUCIR EL RIESGO DE INCENDIO, DESCARGA ELÉCTRICA O LESIONES:

ADVERTENCIAS GENERALES

Al utilizar un electrodoméstico, siempre se deben seguir precauciones básicas, que incluyen las siguientes:

1. La aspiradora puede contener una boquilla de piso motorizada, un vástago, una manguera y un receptáculo de aspiradora. Esta unidad contiene conexiones eléctricas, cableado eléctrico y piezas móviles que potencialmente representan un riesgo para el usuario.
2. Use únicamente piezas de repuesto idénticas.
3. Observe y siga las siguientes instrucciones proporcionadas detenidamente para evitar el uso incorrecto del electrodoméstico. NO use la aspiradora para otro fin que no sea el que se describe en este manual.
4. Antes de usarla, inspeccione todas las piezas para verificar que no tengan daños. NO use ninguna pieza dañada.
5. El uso de un cable de extensión NO se recomienda.
6. Esta aspiradora contiene piezas que no se reparan.

ADVERTENCIAS PARA EL USO

7. Este electrodoméstico lo pueden utilizar personas con capacidades físicas, sensoriales o mentales disminuidas o que carecen de experiencia y conocimientos si han recibido la supervisión o instrucciones relacionadas con el uso del electrodoméstico de forma segura y si comprenden los peligros. La limpieza y el mantenimiento del usuario no se deben realizar por niños. Mantenga este electrodoméstico y su cable fuera del alcance de los niños. NO permita

que los niños usen el electrodoméstico. NO permita que los niños usen el electrodoméstico como un juguete. Es necesaria una supervisión minuciosa cuando se utiliza cerca de los niños.

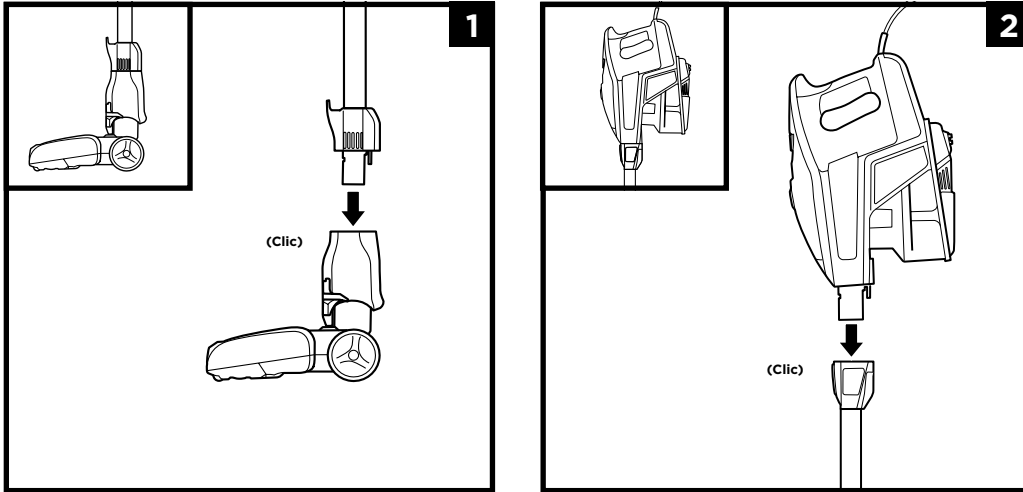
8. Siempre apague la aspiradora antes de conectar o desconectar cualquier boquilla de piso motorizada u otros accesorios.
9. NO manipule el enchufe o la aspiradora con las manos mojadas.
10. NO la use sin los filtros colocados en su lugar.
11. Solo use filtros y accesorios de la marca Shark®.
12. NO dañe el cable de alimentación:
 - a) NO tire del cable ni cargue la aspiradora del cable ni use el cable como un mango.
 - b) NO desenchufe tirando del cable. Sujete el enchufe, no el cable.
 - c) NO pase la aspiradora sobre el cable de alimentación, ni cierre una puerta sobre el cable, ni tire del cable alrededor de esquinas afiladas, tampoco deje el cable cerca de superficies calientes.
13. NO coloque ningún objeto dentro de la boquilla de piso o los orificios de los accesorios. NO use con un orificio bloqueado; mantenga el electrodoméstico libre de polvo, pelusas, pelo y cualquier otra cosa que pueda reducir el flujo de aire.

GUARDE ESTAS INSTRUCCIONES

LEA TODAS LAS INSTRUCCIONES ANTES DE USARLA

14. NO use si el flujo de aire de la boquilla de piso o el accesorio están restringidos. Si los pasajes de aire o la boquilla de piso motorizada se bloquean, apague la aspiradora y desenchúfela de la toma de corriente eléctrica. Quite todas las obstrucciones antes de volver a enchufar y encender la unidad.
15. Mantenga la boquilla de piso y todos los orificios de la aspiradora alejados del pelo, rostro, dedos, pies descalzos o ropa suelta.
16. NO use la aspiradora si no funciona correctamente como debe ser o si se le cayó, dañó, se dejó en los exteriores o se cayó en agua.
17. Tenga mucho cuidado al limpiar escaleras.
18. NO deje la aspiradora sin supervisión mientras esté enchufada.
19. Cuando esté encendida, mantenga la aspiradora en movimiento sobre la superficie de la alfombra en todo momento para evitar dañar las fibras de la alfombra.
20. NO coloque la aspiradora en superficies poco estables, como sillas o mesas.
21. La aspiradora Shark® no está diseñada para sostenerse por sí sola. Cuando haga una pausa en la limpieza, es posible que deba apoyarla contra un mueble o la pared o acostarla en el piso. El uso de la aspiradora en una aplicación en la que la unidad no tiene estabilidad puede provocar lesiones personales.
22. NO la use para recoger lo siguiente:
 - a) Líquidos
 - b) Objetos grandes
 - c) Objetos duros o afilados (vidrio, clavos, tornillos o monedas)
 - d) Grandes cantidades de polvo (polvo de placas de yeso, cenizas de chimenea o brasas). NO la use como accesorio para recolección de polvo de herramientas eléctricas.
 - e) Objetos humeantes o incandescentes (carbón caliente, colillas de cigarrillo o fósforos)
 - f) Materiales inflamables o combustibles (líquido de encendedor, gasolina o queroseno)
 - g) Materiales tóxicos (blanqueador con cloro, amoníaco o limpiador alcalino para drenajes)
23. NO la use en las siguientes áreas:
 - a) Áreas poco iluminadas
 - b) Superficies húmedas o mojadas
 - c) Áreas exteriores
 - d) Espacios encerrados y que contengan gases o vapores explosivos o tóxicos (líquido de encendedor, gasolina, queroseno, pintura, diluyente de pintura, sustancias antipolillas o polvo inflamable)
24. Apague todos los controles antes de enchufar o desenchufar la aspiradora.
25. Desenchúfela de la toma de corriente eléctrica cuando no la use y antes de cualquier mantenimiento o limpieza.
26. Limpie a mano solo con agua. Limpiar la unidad con productos químicos de limpieza podría dañarla.
27. Durante la limpieza o mantenimiento de rutina, NO corte nada más que los mechones de pelo, fibras o hilos enredados en el cepillo giratorio.
28. Permita que todos los filtros se sequen al aire libre completamente antes de volver a colocarlos en la aspiradora para impedir que líquido se succione a las piezas eléctricas.
29. Asegúrese de que el recipiente para el polvo y todos los filtros estén en su lugar después del mantenimiento de rutina.
30. Si se proporcionaron, asegure el cable de alimentación alrededor de los dos ganchos para cable durante el almacenamiento.

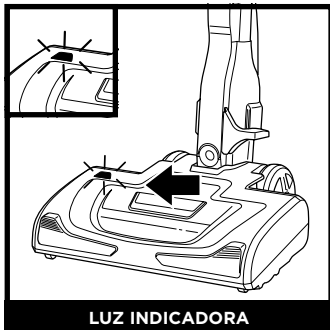
ENSAMBLADO



1. Inserte el **vástago** en la **boquilla de piso**.
2. Inserte la **aspiradora portátil** en el **vástago**.

Verifique que todas las conexiones se coloquen con seguridad hasta escuchar un clic.

LUZ INDICADORA DEL CEPILLO GIRATORIO



LUZ INDICADORA

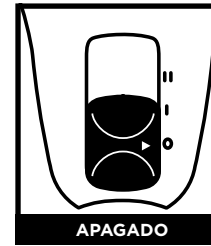
¿QUÉ SIGNIFICA LA LUZ INDICADORA DEL CEPILLO GIRATORIO?

Verde continuo: El cepillo giratorio está girando y funcionando correctamente.

Rojo continuo: Hay una obstrucción en el área del cepillo giratorio. Apague la aspiradora y quite cualquier obstrucción en la boquilla de piso.

Roja parpadeante: La boquilla de piso motorizada se está sobrecalentando. Apague la aspiradora y espere 60 minutos mínimo para que se enfríe.

AJUSTES



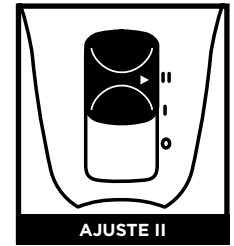
APAGADO

Deslice el interruptor hacia abajo para apagar la corriente. Para comenzar a aspirar, deslice el interruptor al ajuste adecuado.



AJUSTE I

Tapetes de piso descubierto/ tapetes de áreas pequeñas
El cepillo giratorio gira lentamente para limpiar tapetes de pisos descubiertos y de áreas pequeñas.

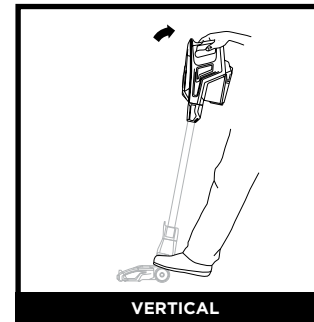


AJUSTE II

Alfombra
El cepillo giratorio gira más rápidamente para levantar los escombros debajo de la superficie de la alfombra.

NOTA: Para una limpieza profunda según ASTM F 608 (suciedad incrustada en alfombras) use el ajuste II Carpet (Alfombra).
NOTA: Seleccione Carpet (Alfombra) para polvo y escombros adheridos.

MODOS DE LIMPIEZA



VERTICAL

Para limpiar los pisos, pise la boquilla de piso e incline la aspiradora portátil hacia atrás.



ENCIMA DEL PISO CON VÁSTAGO

Desconecte el vástago para tener un mayor alcance de limpieza de los zócalos, abanicos de techo, alféizares de ventana y otras áreas difíciles de alcanzar. Coloque la aspiradora en posición vertical, luego presione el pedal en la boquilla de piso y tire del vástago para desconectarlo.



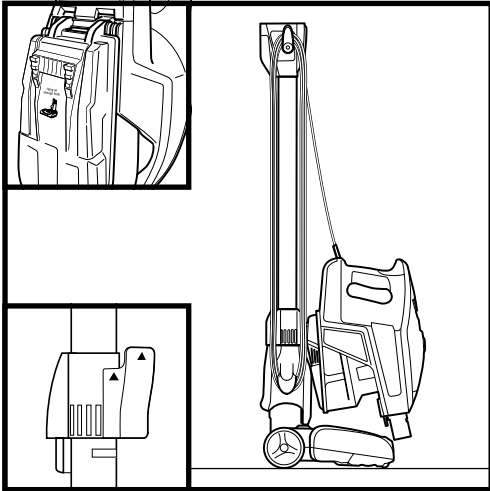
ENCIMA DEL PISO CON LA PORTÁTIL

Presione el botón **Wand Release** (Liberación del vástago) para levantar la aspiradora portátil del vástago. Fantástica para limpiar escaleras y muebles.

NOTA: Todos los accesorios son compatibles con el vástago y con la aspiradora portátil.

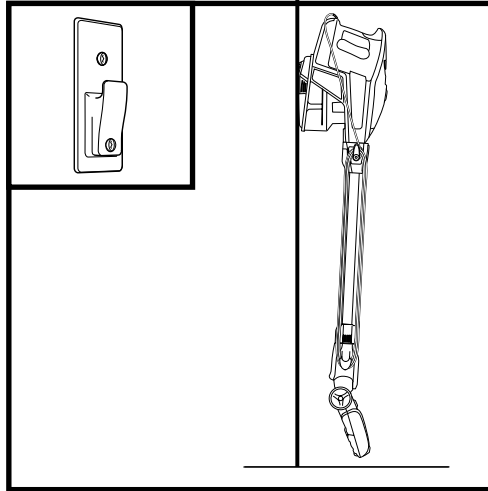
ALMACENAMIENTO

GANCHO INTEGRADO



Presione el botón Wand Release (Liberación del vástago) en la parte superior para desconectar la aspiradora portátil. Alinee el enganche en la parte inferior de la aspiradora portátil con el gancho de almacenamiento en el vástago. Deslice la aspiradora portátil hacia abajo de manera que cuelgue del gancho. Enrolle el cable alrededor de los dos ganchos para cable, comenzando con el gancho superior, dejándolo un poco suelto.

MONTAJE DE PARED

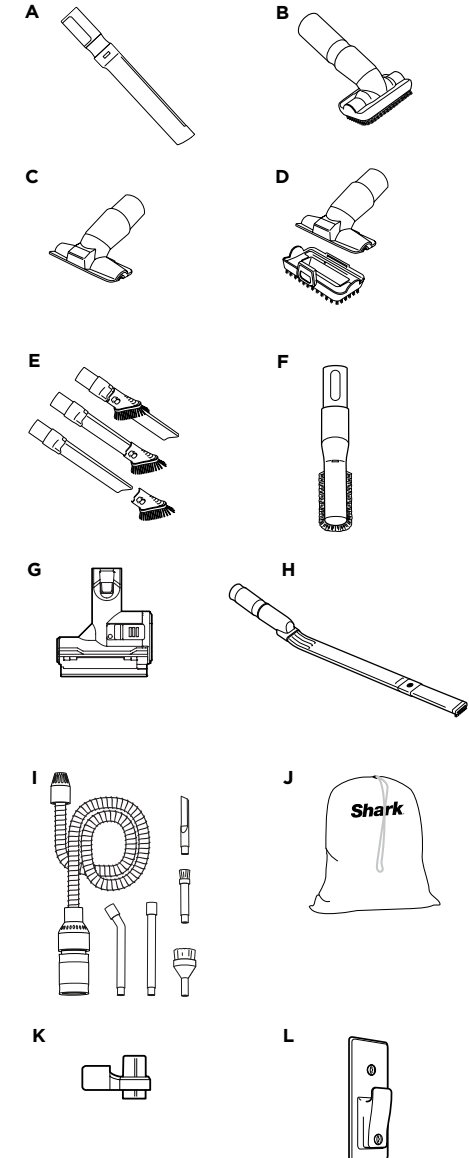


Para un mejor almacenamiento sobre el suelo, en sharkaccessories.com está disponible un montaje de pared. Incluye accesorios de instalación y hoja de instrucciones con plantilla de montaje.

ACCESORIOS DISPONIBLES

NOTA: No se incluyen todos los accesorios en todas las unidades. Consulte la solapa interior de la caja para conocer la configuración de la unidad. Para adquirir más accesorios, visite sharkaccessories.com.

- A Herramienta para grietas**
Limpie esquinas y otros espacios estrechos o alcance zócalos y cielorrasos con esta herramienta fina para grietas.
- B Cepillo para polvo**
Este cepillo desempolva y limpia superficies delicadas. Ideal para usar en ventiladores, persianas, pantallas y teclados.
- C Herramienta para tapicería**
Recoge el pelo de las mascotas, polvo y residuos grandes de colchones, sofás, cortinas y otros tapizados delicados.
- D Accesorio múltiple para pelo de mascotas**
Una herramienta convertible para limpiar la suciedad tenaz de las mascotas de dos maneras: use el cepillo de cerdas rígidas para limpiar los residuos adheridos, o desmonte las cerdas para revelar una herramienta de tapicería ideal para eliminar el pelo tenaz de las mascotas y grandes cantidades de residuos.
- E Herramienta para grietas/cepillo para polvo**
Dos herramientas de limpieza en una. La herramienta para grietas le permite alcanzar más lejos para limpiar en espacios estrechos, mientras que el cepillo suave es ideal para eliminar el polvo de superficies delicadas.
- F Cepillo antialérgico para polvo**
Este cepillo tiene cerdas de fibras de nailon diseñadas específicamente para eliminar polvo fino y partículas de alérgenos de la mayoría de las superficies delicadas.
- G Cepillo pequeño motorizado**
Alimentado por un motor, este pequeño cepillo remueve el pelo de mascotas más aferrado y extrae la tierra, el polvo, la caspa y los alérgenos desde lo más profundo de las almohadas, los tapizados y las alfombras.
- H Vástago para limpiar debajo de electrodomésticos**
Limpie debajo y detrás de los electrodomésticos y los muebles difíciles de mover con esta herramienta ajustable de 91,4 cm (36 in). Dele vuelta a la pieza extensible para limpiar el lado inferior de los electrodomésticos.
- I Kit para limpieza del hogar y el automóvil**
Haga limpieza profunda de su automóvil tal como lo hace un servicio de lavado de autos profesional, o limpie los rincones de difícil acceso de su hogar. Las herramientas diminutas le permiten limpiar alrededor de objetos delicados y llegar a los lugares más reducidos, como las salidas de ventilación del automóvil y los teclados de las computadoras.
- J Bolsa grande para accesorios**
Esta práctica bolsa para guardar accesorios mide 32 cm x 70 cm y se adapta al Tubo de extensión. Tamaño más pequeño disponible en sharkaccessories.com.
- K Broche de almacenamiento incorporado**
Esta pinza removible se sujeta a la aspiradora. La pinza puede guardar hasta dos accesorios al mismo tiempo mientras limpia.
- L Montaje para pared**
Instale el montaje a fin de colgar su aspiradora en la pared para un almacenamiento cómodo. Incluye tornillos, tarugos y hoja de instrucciones con una plantilla de montaje para una instalación sencilla.

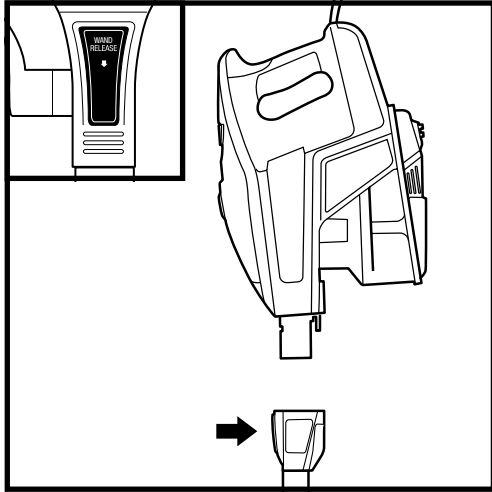


MANTENIMIENTO

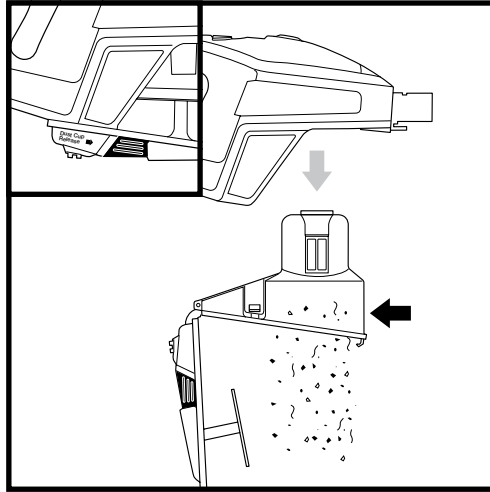
IMPORTANTE: Desenchufe la aspiradora antes de cualquier tarea de mantenimiento.

CÓMO VACIAR EL RECIENTE PARA EL POLVO

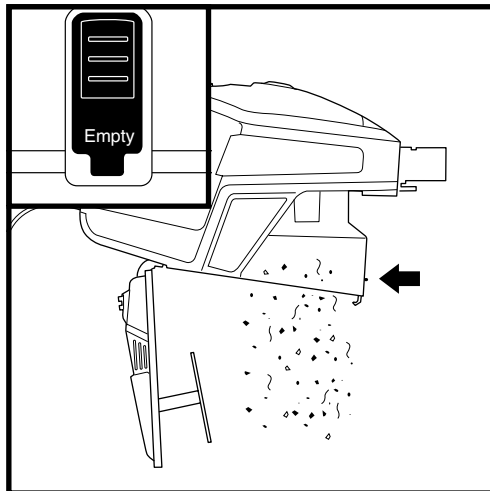
Vacíe el recipiente para el polvo cada vez que aspire y límpielo periódicamente cuando limpie y cuando los escombros lleguen a la línea de llenado MÁX. en el recipiente para el polvo.



Presione el botón Wand Release (Liberación del vástago) y levante la aspiradora portátil del vástago.



Para retirar el recipiente para polvo de la aspiradora portátil, oprima los dos botones **Dust Cup Release** (Liberación del recipiente para el polvo) al mismo tiempo y tire del recipiente para el polvo. Presione el botón **Empty** (Vaciar) en el frente del recipiente para el polvo.



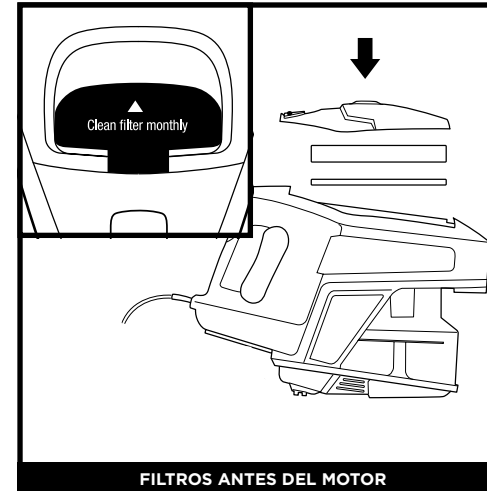
Con el recipiente para el polvo conectado a la aspiradora portátil, presione el botón Empty (Vaciar) en el frente del recipiente para el polvo.

MANTENIMIENTO

LIMPIEZA DE LOS FILTROS

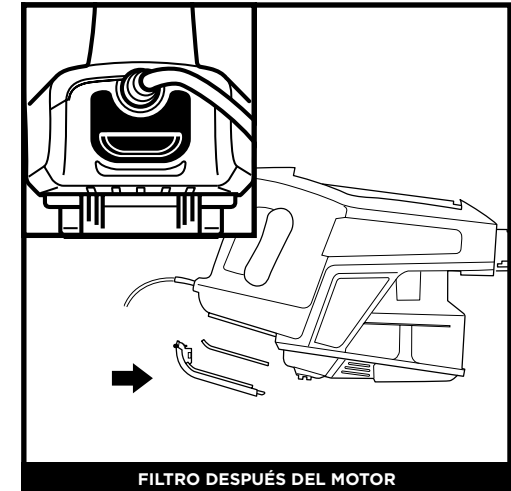
Limpie y reemplace periódicamente los filtros para mantener la succión de la aspiradora a una potencia óptima.

IMPORTANTE: Para evitar daños, enjuague los filtros con agua **SOLAMENTE**. **NO** utilice detergente. Permita que los filtros se sequen al aire libre durante 24 horas por lo menos antes de volver a colocarlos para impedir que se succione el líquido hacia las piezas eléctricas.



FILTROS ANTES DEL MOTOR

Lave los **filtros antes del motor** una vez al mes.



FILTRO DESPUÉS DEL MOTOR

Lave el **filtro después del motor** una vez al año.

FILTROS DE REPUESTO

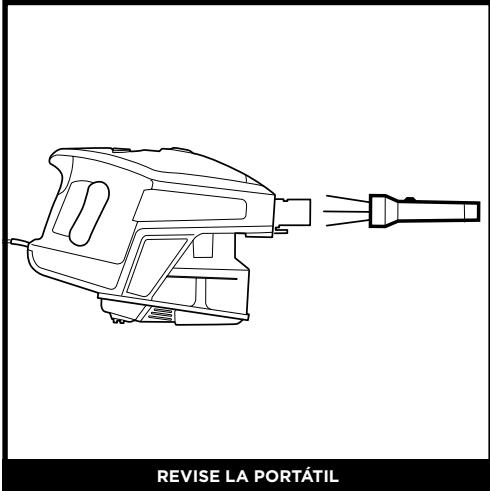
Kit de filtro de repuesto antes del motor
XPMFK320

Filtro de repuesto después del motor
1084FTV320

NOTA: Los filtros antes del motor se deben reemplazar cada 2.5 años. El filtro después del motor se debe reemplazar cada 3 años.

MANTENIMIENTO

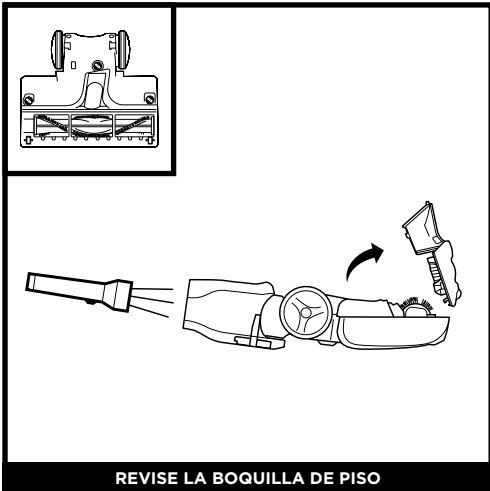
CÓMO VERIFICAR SI HAY OBSTRUCCIONES



Retire el vástago de la aspiradora portátil y revise todas las aberturas de ingreso de polvo al recipiente para el polvo.



Desconecte el vástago y verifique que no haya obstrucciones.

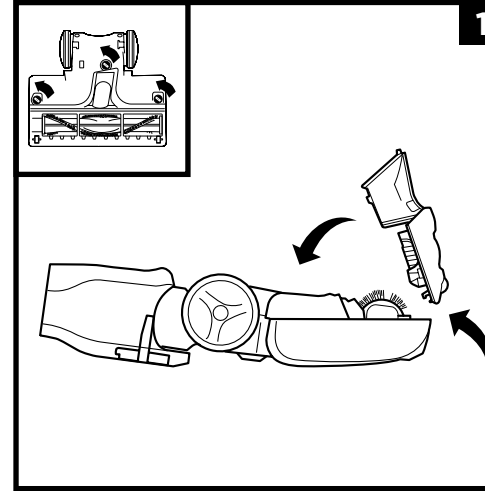


Desconecte el vástago. Voltee la boquilla de piso y con el borde de una moneda abra los tres bloqueos en la parte inferior de la boquilla de piso.

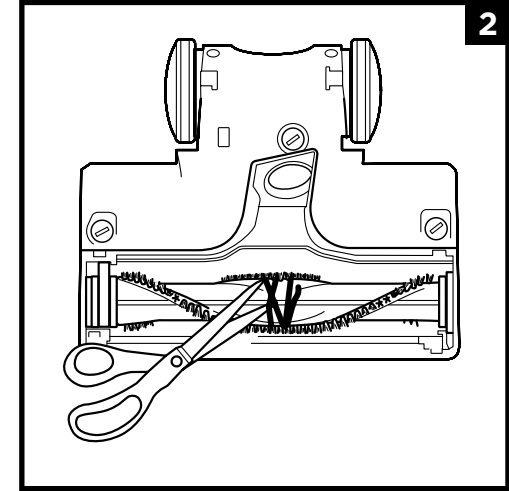
Incline el cuello de la boquilla de piso y revise que no haya obstrucciones en los orificios. Para colocar la cubierta de nuevo, alinéela, luego presione hacia abajo hasta que se escuche un clic. Utilice el borde de una moneda para cerrar los tres bloqueos en la parte inferior de la boquilla de piso.

MANTENIMIENTO

LIMPIEZA DEL CEPILLO GIRATORIO



Para tener acceso al cepillo giratorio, voltee la boquilla de piso y con el borde de una moneda abra los tres bloqueos en la parte inferior de la boquilla de piso.



Pase unas tijeras sobre la ranura del cepillo giratorio para cortar o eliminar hilos, fibras de alfombra, cabello u otros escombros.

Para colocar la cubierta de nuevo, alinéela, luego gírela hacia abajo hasta que se escuche un clic. Utilice el borde de una moneda para cerrar los tres bloqueos en la parte inferior de la boquilla de piso.

La aspiradora no recolecta escombros. No hay succión o hay poca succión. (Consulte la sección de Mantenimiento para obtener más información).

- Revise los filtros para determinar si necesitan limpieza. Siga las instrucciones para enjuagar y secar al aire libre los filtros completamente antes de volver a insertarlos en la aspiradora.
- El recipiente para el polvo puede estar lleno; vacíe el recipiente para el polvo.
- Revise que no haya obstrucciones en la boquilla de piso, elimine cualquier obstrucción de ser necesario.
- Retire cualquier hilo, fibras de alfombra o cabello que queden enrollados en el cepillo giratorio.

La aspiradora levanta los tapetes.

- La succión es demasiado potente. Tenga cuidado cuando aspire tapetes con delicados bordes cosidos.
- Apague la unidad para desengranar el cepillo giratorio. Para volver a encenderla, deslice el interruptor de encendido al ajuste I, Bare Floor/Small Area Rugs (Tapetes de piso descubierto/de áreas pequeñas).

El cepillo giratorio no gira.

- Si la luz indicadora del cepillo giratorio está roja, indica que hay una obstrucción en el área del cepillo giratorio. Apague la aspiradora inmediatamente, desconecte el enchufe y retire la obstrucción. Enchufe la aspiradora y enciéndala.
- Si la luz indicadora del cepillo giratorio en la boquilla de piso está verde, se ha eliminado correctamente la obstrucción. Si la luz aún está roja, llame al Servicio al cliente al 1-800-798-7398.

La aspiradora se apaga por sí sola o la luz indicadora parpadea en rojo.

Si la aspiradora se sobrecalienta, el termostato apagará el motor automáticamente. Siga estos pasos para reiniciar:

1. Apague y desenchufe la aspiradora.
2. Vacíe el recipiente para el polvo y limpie los filtros (consulte la sección de Mantenimiento).
3. Verifique si hay obstrucciones en el vástago, accesorios y en los orificios de entrada.
4. Permita que la unidad se enfríe durante un mínimo de 60 minutos.
5. Enchufe la aspiradora y enciéndala.

GARANTÍA LIMITADA CINCO (5) AÑO

La garantía limitada cinco (5) año se aplica a las compras realizadas a los vendedores minoristas autorizados de **SharkNinja Operating LLC**. La cobertura de garantía se aplica solo al propietario y al producto originales, y no puede transferirse.

SharkNinja garantiza que la unidad estará libre de defectos materiales y de mano de obra durante un período cinco (5) año desde la fecha de compra, siempre y cuando se use en condiciones domésticas normales y se efectúe su mantenimiento de acuerdo con los requisitos descritos en este manual del propietario, sujeto a las siguientes condiciones y exclusiones:

¿Qué cubre esta garantía?

1. La unidad original o las piezas que no se gastan que se consideren defectuosos, a criterio exclusivo de SharkNinja, serán reparados o reemplazados un período máximo cinco (5) año a partir de la fecha de compra original.
2. En el caso de que se entregue una unidad de reemplazo, la cobertura de la garantía termina seis (6) meses después de la fecha de recepción de la unidad de reemplazo o cuando termine el plazo restante de la garantía vigente, lo que sea posterior. SharkNinja se reserva el derecho a reemplazar la unidad con una de igual o mayor valor.

¿Qué no cubre esta garantía?

1. Esta garantía no cubre el desgaste normal de las piezas que se gastan (como los filtros de espuma, los filtros HEPA, las almohadillas, etc.), que requieren mantenimiento o reemplazo regular para asegurar el funcionamiento adecuado de la unidad. Se pueden comprar piezas de repuesto disponibles en sharkaccessories.com.
2. Cualquier unidad que haya sido alterada o usada con fines comerciales.
3. Daños causados por el uso incorrecto (p. ej.: aspirar agua u otros líquidos), abuso, manipulación negligente, falta de mantenimiento necesario (p. ej.: no limpiar los filtros) o daños debidos al mal trato durante el transporte.
4. Daños emergentes o incidentales.
5. Defectos causados por personas que hacen reparaciones y no estén autorizadas por SharkNinja. Estos defectos incluyen daños causados en el proceso de envío, modificación o reparación del producto SharkNinja (o cualquiera de sus piezas) cuando la reparación es realizada por una persona que no está autorizada por SharkNinja.
6. Productos comprados, usados u operados fuera de Norteamérica.

Cómo solicitar el servicio técnico

Si su aparato no funciona adecuadamente cuando se usa en condiciones domésticas normales dentro del período de garantía, visite sharkclean.com/support para obtener instrucciones de cuidado y mantenimiento del producto que usted mismo pueda llevar a cabo. Nuestros especialistas de servicio al cliente también están a su disposición si llama al **1-800-798-7398** para asistirlo con todas las opciones de servicio de garantía y soporte del producto, incluida la posibilidad de mejorar su garantía a nuestras opciones de servicio de garantía VIP para categorías de productos exclusivos. Para poder asistirle mejor, registre el producto en línea en registeryourshark.com y tenga el producto en la mano cuando llame.

SharkNinja cubrirá el costo de envío de la unidad por parte del cliente para ser reparada o reemplazada. Se cobrará una tarifa de 24,95 USD (sujeto a cambios) cuando SharkNinja envíe la unidad reparada o el reemplazo.


Cómo iniciar un reclamo de garantía


Debe llamar al **1-800-798-7398** para iniciar un reclamo de garantía. Necesitará el recibo como prueba de compra. Le solicitamos también registrar el producto en línea en registeryourshark.com y tener el producto en la mano cuando llame para poder asistirle mejor. Un especialista de servicio al cliente le proporcionará instrucciones para la devolución y el embalaje.

Cómo se aplica la ley estatal

Esta garantía le otorga derechos legales específicos, y usted también puede tener otros derechos que varían según el estado. Algunos estados no permiten la exclusión o la limitación de los daños incidentales o emergentes, por lo que lo anterior puede no aplicarse en su caso.

REGISTRE SU COMPRA

 registeryourshark.com

 Escanee el código QR con un dispositivo móvil



REGISTRE ESTA INFORMACIÓN

Número de modelo: _____

Código de fecha: _____

Fecha de compra: _____
(conservar el recibo)

Tienda de compra: _____

ESPECIFICACIONES TÉCNICAS

Voltaje: 120 V, 60 Hz

Vatios: 500 vatios

Beneficios de registrar su producto y crear una cuenta:

- Obtenga un servicio de asistencia para el producto más fácil y rápido
- Acceda a instrucciones para la solución de problemas y cuidado de su producto
- Sea uno de los primeros en recibir promociones de productos exclusivos

CONSEJO: El número de modelo se encuentra en la etiqueta que indica las características, detrás del recipiente para el polvo.

CONSEJO: El código de fecha se ubica en una de las clavijas del enchufe del cable de alimentación.

PLEASE READ CAREFULLY AND KEEP FOR FUTURE REFERENCE.

This Owner's Guide is designed to help you get a complete understanding of your new Shark® Rocket®.

SharkNinja Operating LLC
US: Needham, MA 02494
CAN: Ville St-Laurent, QC H4S 1A7
1-800-798-7398
sharkclean.com

Illustrations may differ from actual product. We are constantly striving to improve our products; therefore the specifications contained herein are subject to change without notice.

For SharkNinja U.S. Patent information, visit sharkninja.com/patents

VEUILLEZ LIRE ATTENTIVEMENT LE PRÉSENT MODE D'EMPLOI ET LE CONSERVER À TITRE INFORMATIF.

Ce guide du propriétaire a été conçu pour vous aider à acquérir une compréhension approfondie de votre nouvel aspirateur Shark™ Rocket.

SharkNinja Operating LLC
US: Needham, MA 02494
CAN: Ville St-Laurent, QC H4S 1A7
1-800-798-7398
sharkclean.com

Les illustrations peuvent différer du produit réel. Nous tentons constamment d'améliorer nos produits; par conséquent, les caractéristiques indiquées dans le présent guide peuvent être modifiées sans préavis.

Pour obtenir de l'information sur les brevets de SharkNinja aux É.-U., visitez le sharkninja.com/patents

LEA ESTAS INSTRUCCIONES DETENIDAMENTE Y CONSÉRVELAS PARA REFERENCIA FUTURA.

Este Manual del propietario está diseñado para ayudarlo a comprender en profundidad su nueva Shark® Rocket.

SharkNinja Operating LLC
US: Needham, MA 02494
CAN: Ville St-Laurent, QC H4S 1A7
1-800-798-7398
sharkclean.com

Las ilustraciones pueden diferir del producto real. Nos esforzamos constantemente por mejorar nuestros productos, por lo que las especificaciones incluidas en el presente pueden cambiar sin previo aviso.

Para obtener información sobre las patentes de SharkNinja en los EE. UU., visite sharkninja.com/patents

ROCKET and SHARK are registered trademarks of SharkNinja Operating LLC.
© 2021 SharkNinja Operating LLC.

ROCKET et SHARK sont des marques de commerce déposées de SharkNinja Operating LLC.
© 2021 SharkNinja Operating LLC.

ROCKET y SHARK son marcas comerciales registradas de SharkNinja Operating LLC.
© 2021 SharkNinja Operating LLC.

HV370_Series_IB_EN_FR_SP_MP_Mv3
PRINTED IN CHINA / IMPRIMÉ EN CHINE / IMPRESO EN CHINA



@sharkcleaning