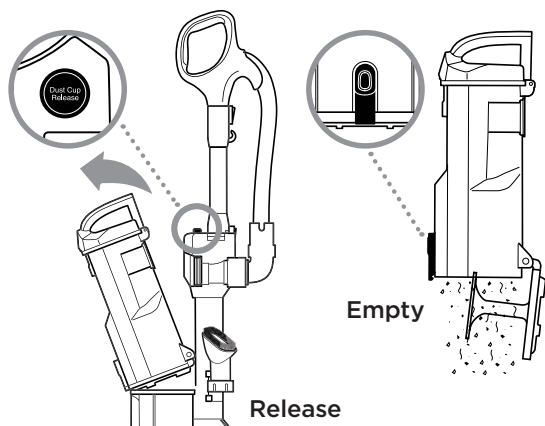


MAINTENANCE

Empty dust cup after each use



Filter Maintenance

Wash filters regularly to keep the suction strong.

Rinse filters with water only, and allow them to air-dry before reinstalling. Tap loose dirt from filters as needed between washes.

See enclosed Owner's Guide for complete details on removing and cleaning filters.

Self-Cleaning Brushroll

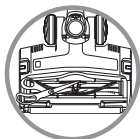
NOTE: If any hair is wrapped around the brushroll, extending cleaning time will allow the self-cleaning brushroll to remove it for you.

Cleaning the Brushroll

1. To open the brushroll garage, slide both release buttons on the floor nozzle away from you, towards the back of the nozzle, then lift off the lid.
2. Clear away any objects or debris.
3. To close the brushroll garage, insert the 3 tabs on top of the lid into the 3 slots in the nozzle, then push down on both sides of the lid until it clicks securely into place. If the Brushroll Indicator Light isn't green and headlights are flashing, check again that both sides of the lid are locked in place.

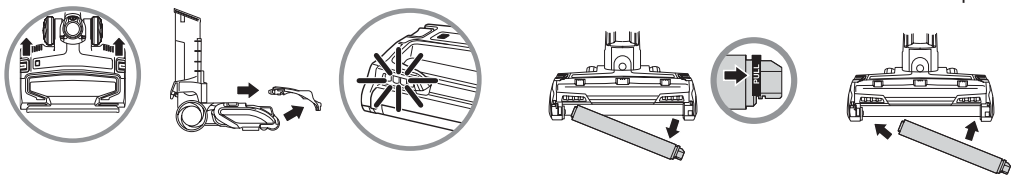
Brushroll Maintenance

Carefully remove any debris that may be impeding the brushroll.



Cleaning the Soft Roller

Lift out the Soft Roller by pulling the tab on the right side. Clear away any debris, then slide the Soft Roller back into place.



Please be sure to read the enclosed Shark® Owner's Guide prior to using your unit.

duo clean®

Shark®

(SLIM) UPRIGHT

with Shark® Self-Cleaning Brushroll
QU202Q Series

QUICK START GUIDE

Use this Quick Start Guide to learn about your new vacuum's great features.



To register your product, or for answers to frequently asked questions, visit registeryourshark.com.

© 2020 SharkNinja Operating LLC. DUOCLEAN and SHARK are registered trademarks of SharkNinja Operating LLC.

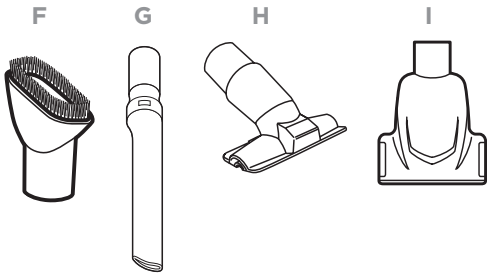
QU202Q_QSG_MP_Mv2



@sharkcleaning

WHAT'S INSIDE:

- A** Handle
- B** Hose
- C** Vacuum Pod
- D** Wand
- E** DuoClean® Floor Nozzle with Self-Cleaning Brushroll
- F** Dusting Brush
- G** Crevice Tool
- H** Upholstery Tool
- I** Pet Power Brush

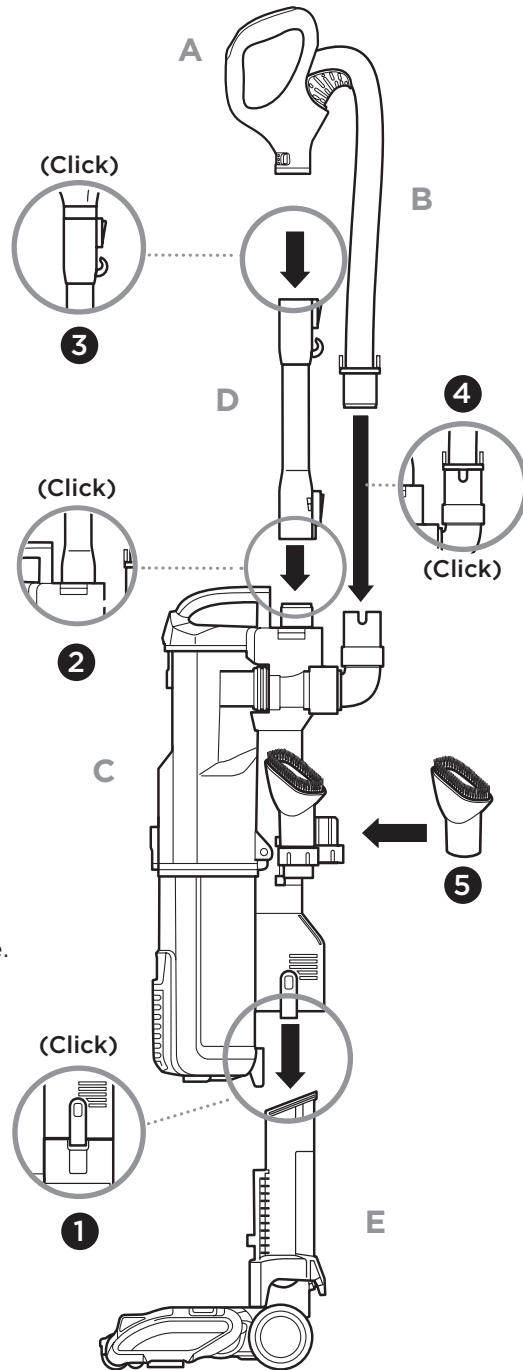


- 1** Place pod onto motorized floor nozzle.
- 2** Insert wand into top of pod.
- 3** Insert handle into top of wand.
- 4** Connect hose to back of pod.
- 5** Store accessories on the posts on the pod.

For complete instructions, see the enclosed **Owner's Guide**.

For additional parts and accessories, visit sharkaccessories.com

ASSEMBLY



2 WAYS TO CLEAN:

1

UPRIGHT

Power

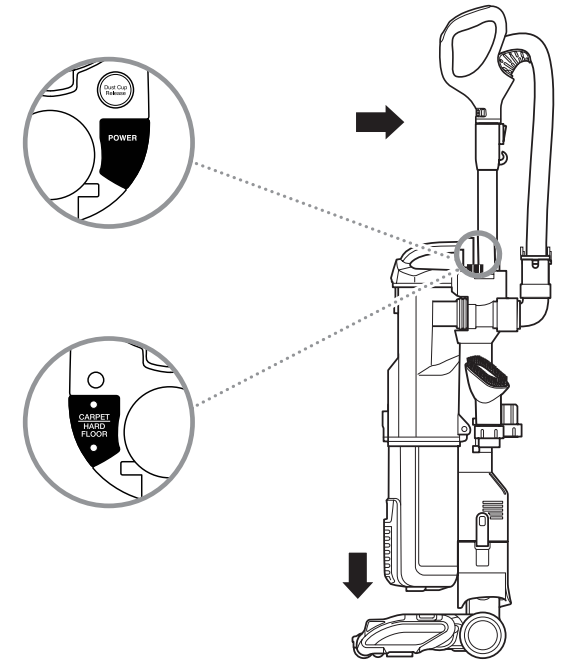
Push the **POWER** button to turn the vacuum on or off.

Brushroll Operation

To engage the brushrolls, turn on the power, step on the floor nozzle, and tilt the handle back.

To clean carpeted floors, press **CARPET** on the surface selector switch. The brushrolls spin quickly in this mode.

To clean bare floors, press **HARD FLOOR** on the surface selector switch. The brushrolls will spin slowly in this mode.



2

ABOVE THE FLOOR

