

# **Shark** VERTEX™

**DuoClean® PowerFins™  
Powered Lift-Away®  
with Self-Cleaning Brushroll  
Upright Vacuum**

**Aspirateur vertical DuoClean®  
PowerFins™ Powered Lift-Away®  
avec brosse rotative autonettoyante**

**Aspiradora vertical con cepillo  
giratorio de autolimpieza  
Estabilizadores De Potencia**

**DuoClean® PowerFins™  
Powered Lift-Away®**

AZ1800 Series • Séries • Serie

**OWNER'S GUIDE  
GUIDE DE L'UTILISATEUR  
GUÍA DEL USUARIO**

---

**duo**clean® **POWERFINS™**



# IMPORTANT SAFETY INSTRUCTIONS

FOR HOUSEHOLD USE ONLY

## **⚠** WARNING

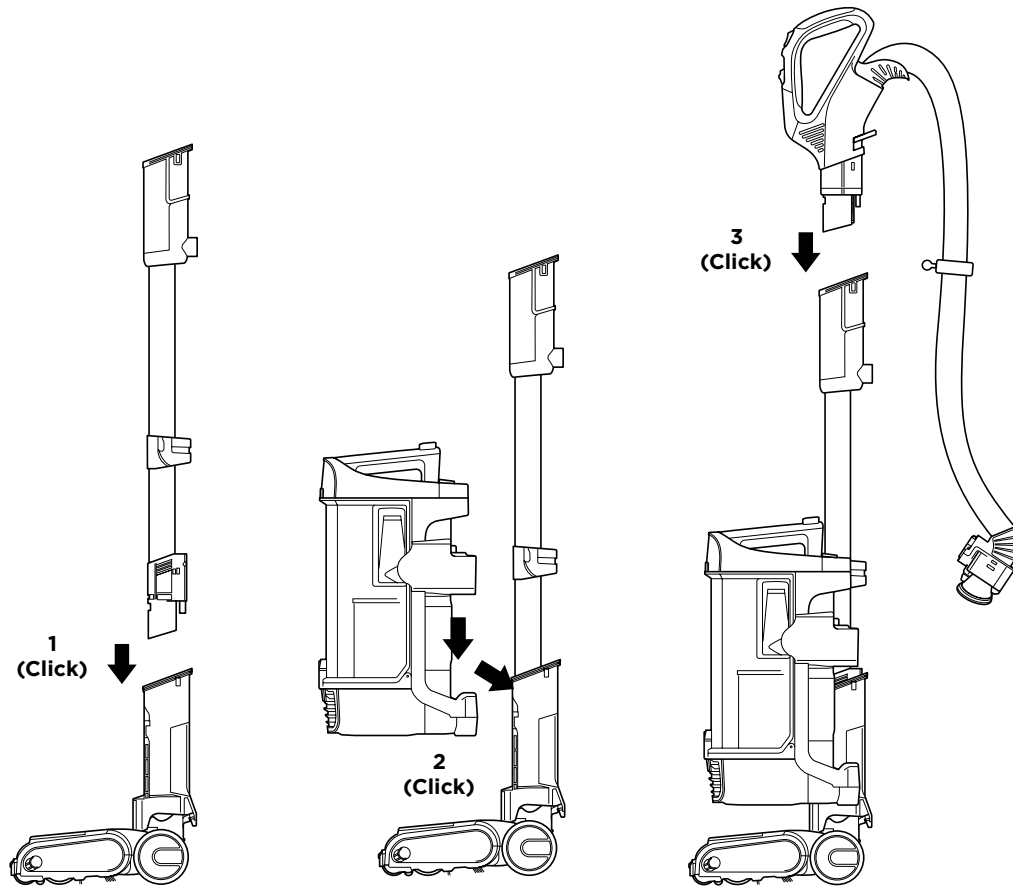
To reduce the risk of fire, electric shock, injury, or property damage, when using an electrical appliance, basic precautions should always be followed, including the following:

### READ ALL INSTRUCTIONS BEFORE USING THIS VACUUM

1. Inspect power cord and plug for any damage before use. **DO NOT** use vacuum cleaner with a damaged cord or plug. Turn off all controls before plugging in or unplugging the vacuum cleaner. Store your vacuum cleaner with the power cord secured around the two cord hooks. To minimize the risk of power cord damage, do not allow the motorized brush roll to ingest the cord. If this occurs, immediately shut off power to the vacuum and remove the cord.
  2. This appliance has a polarized plug, if the plug does not fit fully into the outlet, reverse the plug (one blade is wider than the other). If it still does not fit, contact a qualified electrician. **DO NOT** force into outlet or try to modify to fit.
  3. Your vacuum cleaner may consist of a motorized nozzle, wand, hose, and/or vacuum pod. This device contains electrical connections, electrical wiring, and moving parts that potentially present risk to the user.
  4. Use only identical replacement parts.
  5. Carefully observe and follow the instructions provided below to avoid improper use of the appliance. **DO NOT** use the vacuum for any purpose other than those described in this manual.
  6. Before use, carefully inspect all parts for any damage. **DO NOT** use if any parts are damaged.
  7. The use of an extension cord is **NOT** recommended.
  8. This vacuum cleaner contains no serviceable parts.
  9. This appliance can be used by persons with reduced physical, sensory or mental capabilities or lack of experience and knowledge if they have been given supervision or instruction concerning use of the appliance in a safe way and understand the hazards involved. Cleaning and user maintenance shall not be made by children. Keep the appliance and its cord out of reach of children. **DO NOT** allow the appliance to be used by children. **DO NOT** allow to be used as a toy. Close supervision is necessary when used near children.
  10. Always turn off the vacuum cleaner before connecting or disconnecting any motorized nozzles or other accessories.
  11. **DO NOT** handle plug or vacuum cleaner with wet hands.
  12. **DO NOT** use without filters in place.
  13. Only use Shark® branded filters and accessories.
  14. **DO NOT** damage the power cord:
    - a) **DO NOT** pull or carry vacuum cleaner by the cord or use the cord as a handle.
    - b) **DO NOT** unplug by pulling on cord. Grasp the plug, not the cord.
    - c) **DO NOT** run the vacuum cleaner over the power cord, close a door on the cord, pull the cord around sharp corners, or leave the cord near heated surfaces.
  15. **DO NOT** put any objects into nozzle or accessory openings. **DO NOT** use with any opening blocked; keep free of dust, lint, hair, and anything that may reduce airflow.
  16. **DO NOT** use if nozzle or accessory airflow is restricted. If the air paths or the motorized floor nozzle become blocked, turn the vacuum cleaner off and unplug from electrical outlet. Remove all obstructions before you plug in and turn on the unit again.
  17. Keep nozzle and all vacuum openings away from hair, face, fingers, uncovered feet, or loose clothing.
  18. **DO NOT** use if vacuum cleaner is not working as it should, or has been dropped, damaged, left outdoors, or dropped into water.
  19. Use extra care when cleaning on stairs.
  20. **DO NOT** leave the vacuum cleaner unattended while plugged in.
  21. When powered on, keep the vacuum cleaner moving over the carpet surface at all times to avoid damaging the carpet fibers.
  22. **DO NOT** place vacuum cleaner on unstable surfaces such as chairs or tables.
  23. Your Shark® vacuum may not be designed to stand up on its own. When taking a break from cleaning, you may need to lean it against furniture or a wall, or lay it flat on the floor. Using the vacuum for an application where the unit lacks stability may result in personal injury.
  24. **DO NOT** use to pick up:
    - a) Liquids
    - b) Large objects
    - c) Hard or sharp objects (glass, nails, screws, or coins)
  - d) Large quantities of dust (drywall dust, fireplace ash, or embers). **DO NOT** use as an attachment to power tools for dust collection.
  - e) Smoking or burning objects (hot coals, cigarette butts, or matches)
  - f) Flammable or combustible materials (lighter fluid, gasoline, or kerosene)
  - g) Toxic materials (chlorine bleach, ammonia, or drain cleaner)
- 25. DO NOT** use in the following areas:
- a) Poorly lit areas
  - b) Wet or damp surfaces
  - c) Outdoor areas
  - d) Spaces that are enclosed and may contain explosive or toxic fumes or vapors (lighter fluid, gasoline, kerosene, paint, paint thinners, mothproofing substances, or flammable dust)
26. Turn off all controls before plugging in or unplugging the vacuum.
  27. Unplug from electrical outlet when not in use and before any maintenance or cleaning.
  28. Hand wash with water only. Washing with cleaning chemicals could damage the unit.
  29. During cleaning or routine maintenance, **DO NOT** cut anything other than hair, fibers, or string wrapped around the brushroll.
  30. Allow all filters to air-dry completely before replacing in the vacuum to prevent liquid from being drawn into electric parts.
  31. Make sure the dust cup and all filters are in place after routine maintenance.
  32. If provided, secure the power cord around the two cord hooks during storage.

## SAVE THESE INSTRUCTIONS

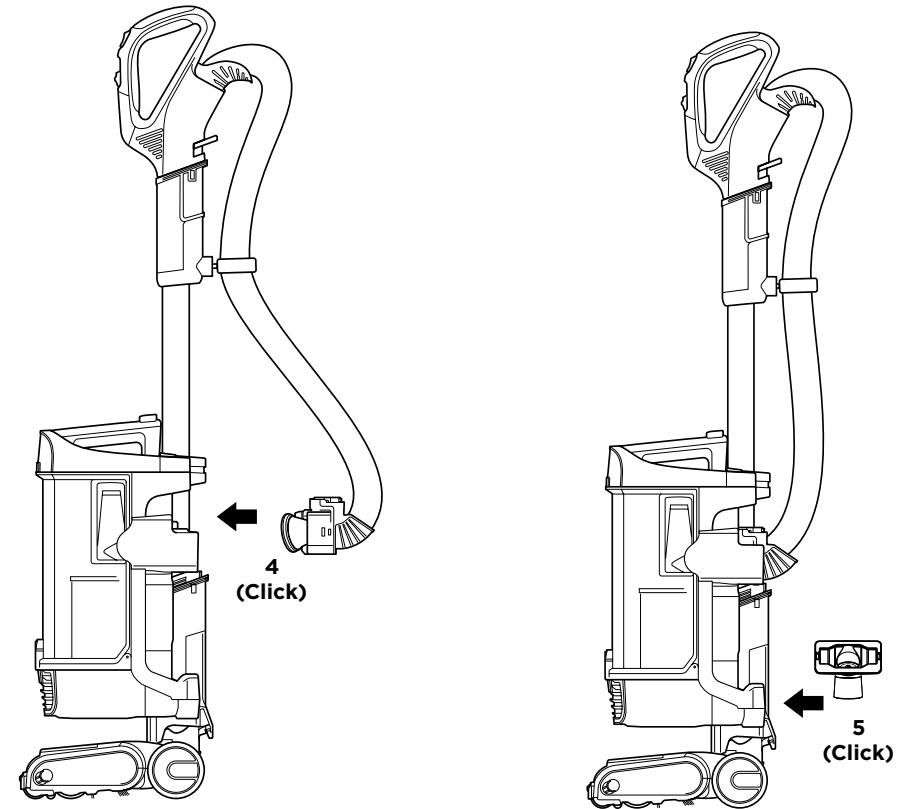
## ASSEMBLY



1. Place motorized **Nozzle** on floor and insert **Wand**, pressing it in until it clicks securely into place.
2. Place **Pod** onto wand and slide down to connect.
3. Insert **Handle** into wand, pressing it in until it clicks securely into place.
4. Connect **Hose** to back of pod, pressing it in until it clicks securely into place.
5. Store included accessories on the **Accessory Posts** on the pod.

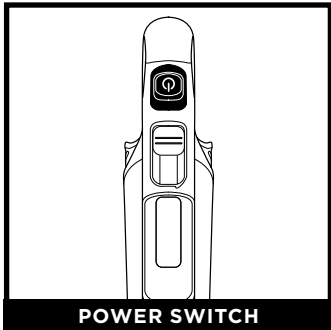
**IMPORTANT:** For proper operation, ensure all connections are securely clicked into place.

## ASSEMBLY



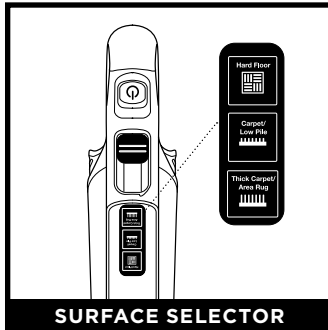
## WHOLE-HOME CLEANING

### SETTINGS



**POWER SWITCH**

Press power button to turn on vacuum. Please note the brushrolls will not spin unless the wand is reclined.



**SURFACE SELECTOR**

#### Thick Carpet & Area Rug Cleaning

Slide the surface switch to the top position to select Thick Carpet/Area Rug.

#### Carpet & Low Pile Cleaning

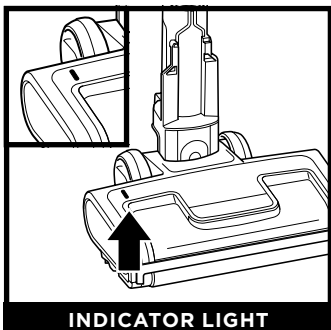
Slide the surface switch to the middle position to select Carpet/Low Pile to increase the speed of the brushrolls and to help remove stuck-on dust and debris.

#### Hard Floor Cleaning

Slide the surface switch to the bottom position to select Hard Floor.

**NOTE:** Try using Hard Floor mode for low pile area rugs.

### BRUSHROLL INDICATOR LIGHT



**INDICATOR LIGHT**

#### WHAT DOES THE BRUSHROLL INDICATOR LIGHT MEAN?

**Solid Green:** The brushrolls are spinning and working as they should.

**Solid Red:** There is a jam in the brushroll area. Turn off the vacuum and unplug it, then remove any blockages in the nozzle.

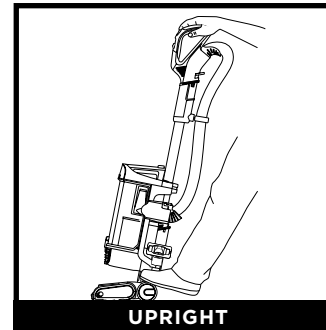
**Flashing Green:** The vacuum is operating in an environment that is either too hot or too cold. This vacuum will only function properly in temperatures ranging from 32°F (0°C) to 104°F (40°C). Turn the vacuum off and adjust the room temperature. Once the temperature has reached the operating range, turn the vacuum back on.

**Flashing Red:** The motorized floor nozzle is overheating. Turn off the vacuum, unplug it, and remove any blockages. Let the vacuum cool down for at least 60 minutes before restarting. See Troubleshooting section for more information.

**NOTE:** For deep cleaning per ASTM F 608 (embedded dirt in carpets) please set to **Carpet/Low Pile**.  
**NOTE:** For maximum suction for above-floor cleaning per ASTM F558, set to **Hard Floor** mode.

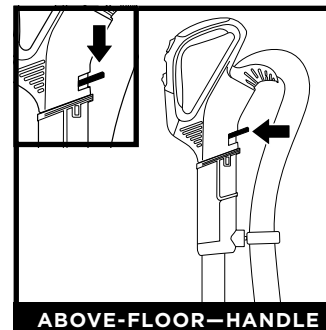
## WHOLE-HOME CLEANING

### CLEANING MODES



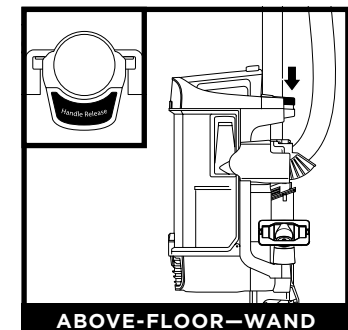
**UPRIGHT**

To engage brushrolls, step on floor nozzle and tilt handle back.



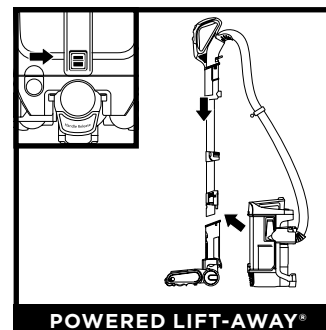
**ABOVE-FLOOR—HANDLE**

Press the **Handle Release** latch to detach the handle from the wand.



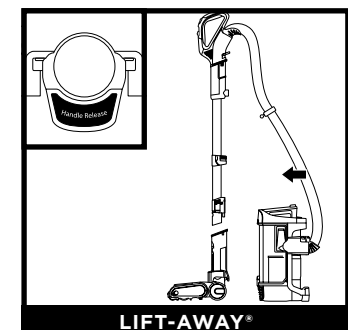
**ABOVE-FLOOR—WAND**

Press the **Wand Release** button to detach the wand from the pod.



**POWERED LIFT-AWAY®**

Press the **Lift-Away** button to detach the pod from the floor nozzle.

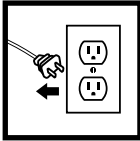


**LIFT-AWAY®**

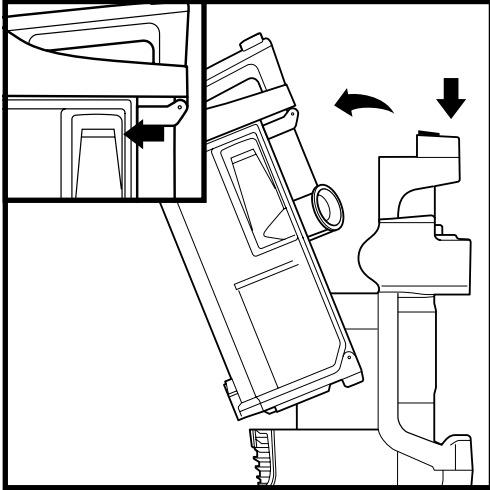
With pod removed, press the **Wand Release** button to detach the wand from the floor nozzle.

**NOTE:** All accessories are compatible with both the wand and the handle.

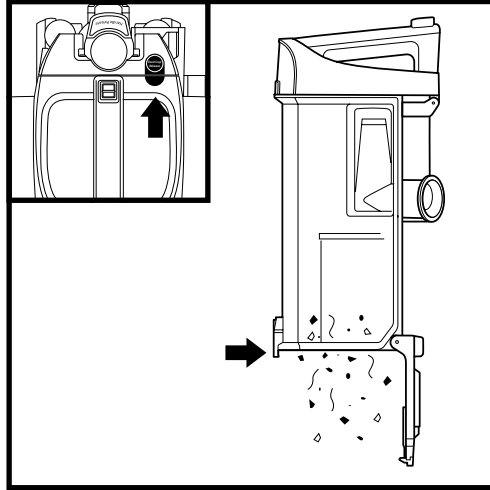
## EMPTYING THE DUST CUP



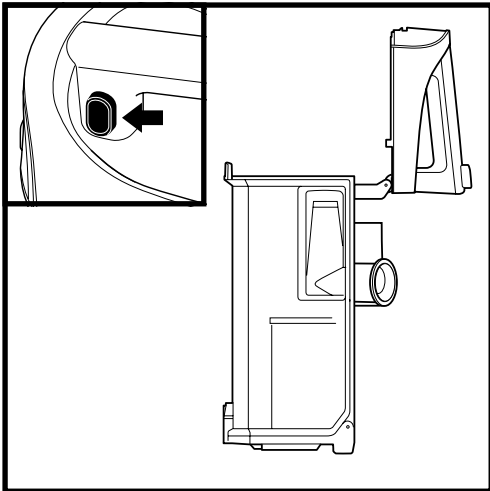
**IMPORTANT:** Unplug the power cord before performing any maintenance.



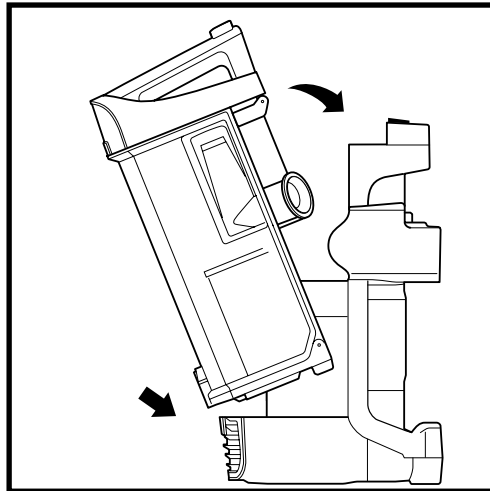
To remove **Dust Cup**, press release button on top of the pod. Tilt dust cup away from wand, then lift to remove.



To empty debris into trash, press lower release button and bottom of dust cup will drop open.



To remove collected debris from **Lint Screen**, press top release button and lift handle to access screen.



To reinstall, place bottom of dust cup into pod and then tilt until it clicks into place.

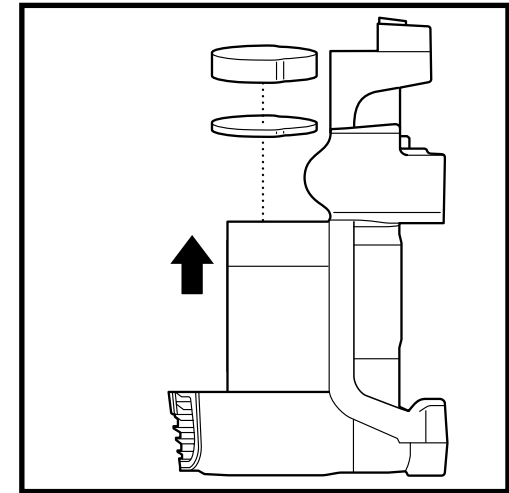
## CLEANING AND REPLACING THE FILTERS

### CLEANING FILTERS

**Regularly rinse and replace the filters to maintain your vacuum's suction power.**

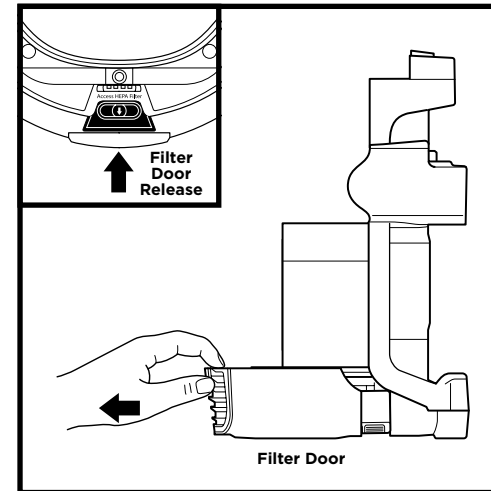
To prevent damage from cleaning chemicals, rinse filters with cold water only. Allow all filters to air-dry for at least 24 hours before reinstalling them to prevent liquid from being drawn into electric parts.

**IMPORTANT: DO NOT** use soap when cleaning the filters.



CLEAN PRE-MOTOR FILTERS EVERY MONTH

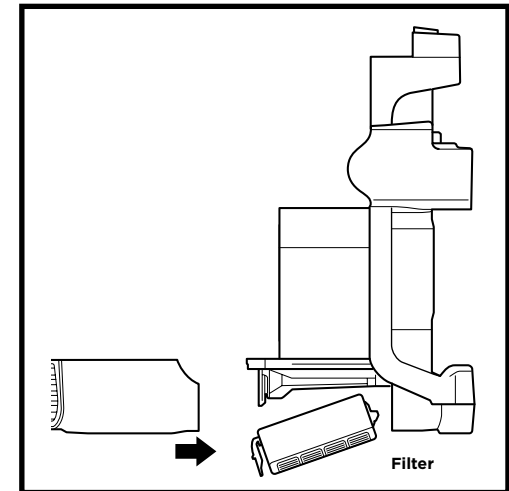
Remove **Dust Cup**, then lift out **Filters**.



CLEAN HEPA FILTER EVERY YEAR

With the dust cup removed, press button on **Filter Door**. Pull forward and slide out to remove, then take out **HEPA Filter**.

To reinstall, insert HEPA filter into unit and replace filter door.



**NOTE:** The pre-motor filters should be replaced every 2.5 years. The post-motor filter should be replaced every 3 years.

## MAINTENANCE

### NOZZLE MAINTENANCE

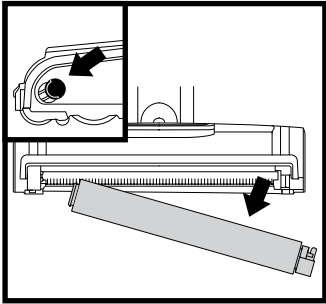
#### SELF-CLEANING BRUSHROLL

If any hair is wrapped around the brushroll, continue vacuuming, using Carpet/Low Pile mode on a bare floor surface, a low-pile carpet, or a small area rug. This will allow the self-cleaning brushroll to remove the hair wrap and send it to the dust cup.

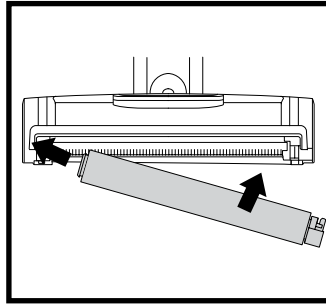
If you run over a hard or sharp object or notice a noise change while vacuuming, check for blockages or objects caught in the brushroll.

If some fibers remain wrapped around the brushroll after continued use, clear them from the brushroll.

#### CLEANING THE SOFT ROLLER

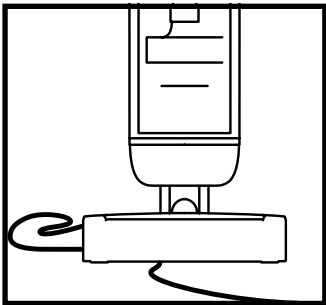


Slide the Soft Roller access button forward to release the Soft Roller.



Hand wash the Soft Roller as needed. Use only water, and allow it to air-dry completely for at least 24 hours. Reinsert the Soft Roller in the front of the nozzle until it clicks into place.

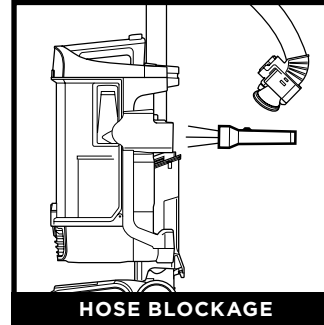
### CORD MAINTENANCE



To minimize the risk of power cord damage, **DO NOT** run the vacuum over the power cord. If this occurs, immediately shut off power to the vacuum and remove the cord from the brushroll or nozzle.

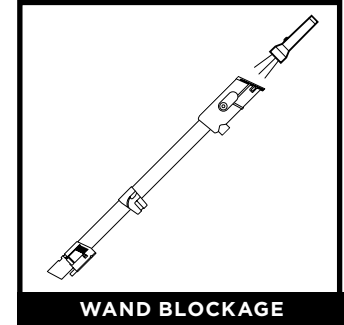
1. **DO NOT** pull or carry vacuum cleaner by the cord or use cord as a handle.
2. **DO NOT** unplug by pulling on the cord. Grasp the plug, not the cord.
3. **DO NOT** close the door on the cord.
4. **DO NOT** pull the cord around sharp corners.
5. **DO NOT** leave the cord near heated surfaces.

## CHECKING FOR BLOCKAGES



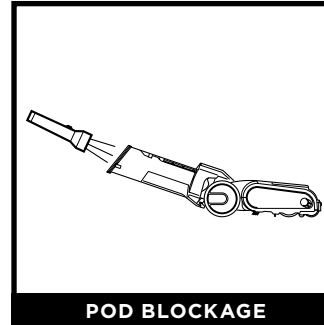
HOSE BLOCKAGE

Detach hose from vacuum pod, and check hose and opening on back of pod for blockages.



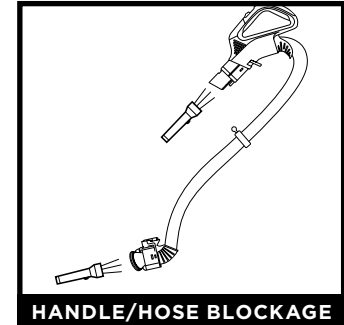
WAND BLOCKAGE

Detach wand from floor nozzle and handle, and check both ends for blockages.



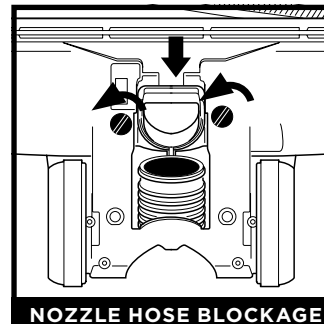
POD BLOCKAGE

Detach wand from floor nozzle, tilt nozzle neck back, and check opening for blockages.



HANDLE/HOSE BLOCKAGE

Detach handle from wand and hose from the vacuum pod, and check openings for blockages.



NOZZLE HOSE BLOCKAGE

To access the nozzle hose, open the locks on the bottom of the nozzle. With a coin, turn the locks counterclockwise, then lift the cover and clear any blockages.

## AVAILABLE ACCESSORIES

### A Crevice Tool

This slender tool offers extended reach to access corners, baseboards, tight spaces, and ceilings.

### B Upholstery Tool

Picks up hair, dust, and large debris from mattresses, couches, curtains, lampshades, and other delicate upholstered fabrics.

### C Pet Multi-Tool

A single convertible tool for cleaning tough pet messes two ways: use the stiff bristle brush to clean stuck-on debris, or take off the bristles to reveal an upholstery tool perfect for removing stubborn pet hair and large piles of debris.

### D Duster Crevice Tool

Two cleaning tools in one. The crevice tool gives you extended reach to clean in tight spaces, while the soft brush is ideal for dusting delicate surfaces.

### E Pet Power Brush

The turbine brush loosens and removes pet hair and debris from carpets, and powerfully deep-cleans dander out of upholstery and other surfaces.

### F Under-Appliance Wand

Clean under and behind hard-to-move appliances and furniture with this adjustable 36" tool. Flip the extension piece over to clean the underside of appliances.

### G Anti-Allergen Dust Brush

This brush features nylon fiber bristles specifically designed for removing fine dust and allergen particles from the most delicate surfaces.

### H Self-Cleaning Pet Power Brush

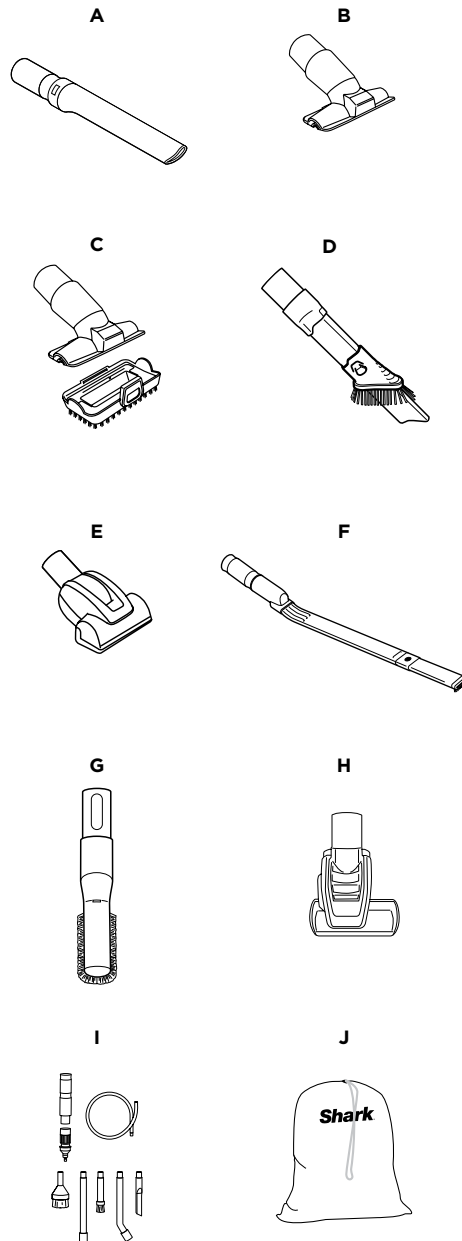
Tackles pet hair and ground-in dirt from above-floor areas like carpeted stairs and upholstery, while actively removing hair wrap as it cleans.

### I Home & Car Detail Kit

Deep-clean your car like a professional detailer, or clean hard-to-reach areas in your home. Micro-sized tools let you clean around delicate objects and access the tightest spaces like car vents and computer keyboards.

### J Accessory Bag

This convenient accessory storage bag measures 32 cm x 70 cm and fits the Under-Appliance Wand. Smaller size available at [sharkaccessories.com](http://sharkaccessories.com).



**NOTE:** Not all accessories come with all units. For a list of the accessories included with this model, see the top inside flap of the box. To order additional accessories, visit [sharkaccessories.com](http://sharkaccessories.com).

## TROUBLESHOOTING

### Power cord caught in brushroll or floor nozzle.

- To minimize the risk of power cord damage, DO NOT run the vacuum over the power cord. If this occurs, immediately shut off power to the vacuum and remove the cord from the brushroll or nozzle.
- Inspect power cord and plug for any damage before use. DO NOT use vacuum cleaner with a damaged cord or plug. Turn off all controls before plugging in or unplugging the vacuum cleaner. Store your vacuum cleaner with the power cord secured around the two cord hooks.

### Vacuum is not picking up debris. No suction or light suction.

- Check filters to see if they need cleaning. Follow instructions for rinsing and air-drying the filters before reinstalling them.
- Dust cup may be full; empty dust cup.
- Check hose, hose connections, nozzle, wand, pod, and accessories for blockages. Clear any blockages found. See Checking for Blockages section for more information.
- If any hair, string, or carpet fibers are wrapped around the brushroll, extend cleaning time to allow the self-cleaning brushroll to remove them. If some hair or fibers remain wrapped around brushroll after continued use, carefully remove them. See Cleaning the Brushroll section for more information.

### Vacuum lifts area rugs.

- Make sure Surface Selector switch is set to Thick Carpet & Area Rug Cleaning.
- Suction is powerful. Take care when vacuuming area rugs or rugs with delicately sewn edges.

### Brushrolls do not spin.

- If the Brushroll Indicator Light turns red, immediately turn off and unplug the vacuum. Remove pod and wand from floor nozzle and clear any blockages. Reconnect nozzle, plug in vacuum, and turn on power.
- With the power on, recline the handle, which will automatically turn on the brushrolls.

### Vacuum turns off on its own or indicator light flashes red.

If your vacuum overheats, the thermostat will automatically turn off the motor. Perform the following steps to restart:

- Turn vacuum off and unplug it.
- Empty dust cup and clean filters. See Emptying the Dust Cup and Cleaning the Filters section for more information.
- Check for blockages in hose, wand, floor nozzle, accessories, and inlet openings.
- Allow unit to cool for a minimum of 60 minutes.
- Plug in vacuum and turn it on.

For all other issues, please call Customer Service 1-800-798-7398.

## FIVE (5) YEAR LIMITED WARRANTY

The Five (5) Year Limited Warranty applies to purchases made from authorized retailers of **SharkNinja Operating LLC**. Warranty coverage applies to the original owner and to the original product only and is not transferable.

SharkNinja warrants that the unit shall be free from defects in material and workmanship for a period of five (5) years from the date of purchase when it is used under normal household conditions and maintained according to the requirements outlined in the Owner's Guide, subject to the following conditions and exclusions:

### What is covered by this warranty?

1. The original unit and/or non-wearable parts deemed defective, in SharkNinja's sole discretion, will be repaired or replaced up to five (5) years from the original purchase date.
2. In the event a replacement unit is issued, the warranty coverage ends six (6) months following the receipt date of the replacement unit or the remainder of the existing warranty, whichever is later. SharkNinja reserves the right to replace the unit with one of equal or greater value.

### What is not covered by this warranty?

1. Normal wear and tear of wearable parts (such as foam filters, HEPA filters, pads, etc.), which require regular maintenance and/or replacement to ensure the proper functioning of your unit, are not covered by this warranty. Replacement parts are available for purchase at **sharkaccessories.com**.
2. Any unit that has been tampered with or used for commercial purposes.
3. Damage caused by misuse (e.g., vacuuming up water or other liquids), abuse, negligent handling, failure to perform required maintenance (e.g., not cleaning the filters), or damage due to mishandling in transit.
4. Consequential and incidental damages.
5. Defects caused by repair persons not authorized by SharkNinja. These defects include damages caused in the process of shipping, altering, or repairing the SharkNinja product (or any of its parts) when the repair is performed by a repair person not authorized by SharkNinja.
6. Products purchased, used, or operated outside North America.

### How to get service

If your appliance fails to operate properly while in use under normal household conditions within the warranty period, visit **sharkclean.com/support** for product care and maintenance self-help. Our Customer Service Specialists are also available at **1-800-798-7398** to assist with product support and warranty service options, including the possibility of upgrading to our VIP warranty service options for select product categories. So we may better assist you, please register your product online at [registeryourshark.com](https://registeryourshark.com) and have the product on hand when you call.

SharkNinja will cover the cost for the customer to send in the unit to us for repair or replacement. A fee of \$25.95 (subject to change) will be charged when SharkNinja ships the repaired or replacement unit.



### How to initiate a warranty claim

You must call **1-800-798-7398** to initiate a warranty claim. You will need the receipt as proof of purchase. We also ask that you register your product online at [registeryourshark.com](https://registeryourshark.com) and have the product on hand when you call, so we may better assist you. A Customer Service Specialist will provide you with return and packing instruction information.

### How state law applies

This warranty gives you specific legal rights, and you also may have other rights that vary from state to state. Some states do not permit the exclusion or limitation of incidental or consequential damages, so the above may not apply to you.

## REGISTER YOUR PURCHASE

-  [registeryourshark.com](https://registeryourshark.com)
-  Scan QR code using mobile device



Benefits of registering your product and creating an account:

- Get easier, faster product support and access to warranty information
- Access troubleshooting and product care instructions
- Be among the first to know about exclusive product promotions

**TIP:** You can find the model and serial numbers on the QR code label on the bottom of the back of the vacuum pod.

## RECORD THIS INFORMATION

Model Number: \_\_\_\_\_

Serial Number: \_\_\_\_\_

Date of Purchase: \_\_\_\_\_  
(Keep receipt)

Store of Purchase: \_\_\_\_\_

## TECHNICAL SPECIFICATIONS

Voltage: 120V-, 60Hz

Watts: 940W



# CONSIGNES DE SÉCURITÉ IMPORTANTES

POUR USAGE DOMESTIQUE SEULEMENT

## ⚠ AVERTISSEMENT

Pour réduire le risque d'incendie, de décharge électrique, de blessure ou de dommages matériels lors de l'utilisation d'un appareil électrique, il faut toujours suivre les précautions de base suivantes :

### LISEZ TOUTES LES INSTRUCTIONS AVANT D'UTILISER CET ASPIRATEUR

1. Inspectez le cordon d'alimentation et la fiche pour déceler d'éventuels dommages avant l'utilisation. **N'UTILISEZ PAS** l'aspirateur si le cordon d'alimentation ou la fiche sont endommagés. Fermez toutes les commandes avant de brancher ou de débrancher l'aspirateur. Rangez l'aspirateur en prenant soin d'enrouler le cordon d'alimentation autour des deux crochets à cordon. Pour minimiser le risque d'endommager le cordon d'alimentation, ne laissez pas la brosse rotative motorisée ingérer le cordon. Si cela se produit, coupez immédiatement l'alimentation de l'aspirateur et retirez le cordon.
2. Cet appareil est muni d'une fiche polarisée. Si la fiche ne s'insère pas complètement dans la prise électrique, inversez la fiche (une lame est plus large que l'autre). Si elle ne s'insère toujours pas, communiquez avec un électricien qualifié. **NE FORCEZ PAS** pour insérer la fiche dans la prise et ne tentez pas de la modifier.
3. Votre aspirateur pourrait être composé d'une buse motorisée, d'un tube, d'un tuyau ou d'un réceptacle. Cet appareil comporte des raccordements électriques, du filage électrique et des pièces amovibles pouvant exposer l'utilisateur à certains risques.
4. Utilisez uniquement des pièces de rechange identiques.
5. Respectez et suivez attentivement les instructions ci-dessous afin d'éviter tout usage inadéquat de l'appareil. **N'UTILISEZ PAS** l'aspirateur pour un usage autre que ceux décrits dans le présent manuel.
6. Avant d'utiliser l'appareil, inspectez soigneusement toutes les pièces afin de déceler tout dommage. **NE L'UTILISEZ PAS** s'il est endommagé.

7. L'utilisation d'une rallonge électrique **N'EST PAS** recommandée.
8. Cet aspirateur ne contient aucune pièce pouvant être réparée par l'utilisateur.

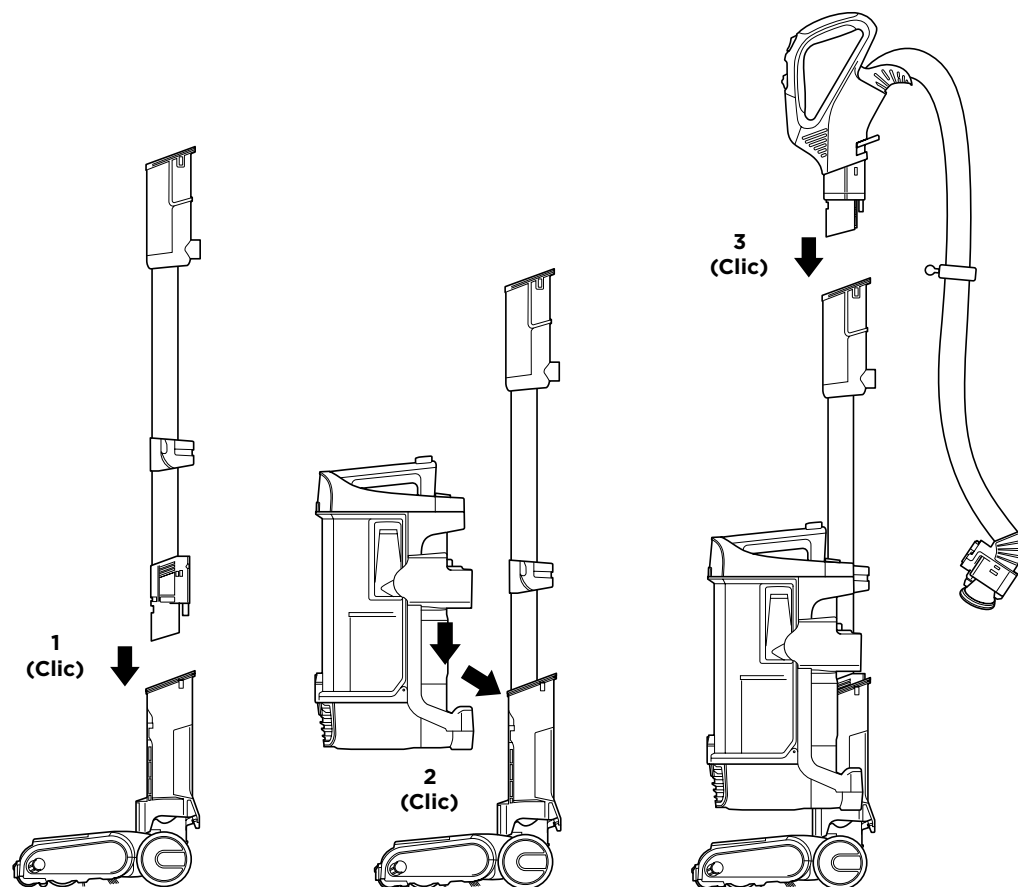
### AVERTISSEMENTS CONCERNANT L'UTILISATION

9. Cet appareil peut être utilisé par des personnes dont les capacités physiques, sensorielles ou mentales sont réduites ou qui manquent d'expérience et de connaissances seulement si elles ont été supervisées ou instruites par rapport à l'utilisation sécuritaire de l'appareil et si elles comprennent les dangers possibles. Les enfants ne peuvent pas nettoyer ni entretenir l'appareil. Gardez l'appareil et son câble hors de la portée des enfants. **NE LAISSEZ PAS** les enfants se servir de l'appareil. **NE PERMETTEZ PAS** de l'utiliser comme un jouet. Une surveillance étroite est nécessaire lorsque l'appareil est utilisé en présence d'enfants.
10. Mettez toujours l'aspirateur hors tension avant d'attacher ou de détacher la buse motorisée ou un autre accessoire.
11. **NE MANIPULEZ PAS** la fiche ou l'aspirateur avec les mains mouillées.
12. **N'UTILISEZ PAS** l'appareil si les filtres ne sont pas en place.
13. Utilisez uniquement des filtres et des accessoires de marque Shark®.
14. **N'ENDOMMAGEZ PAS** le cordon d'alimentation :
  - a) **N'UTILISEZ PAS** le cordon d'alimentation comme poignée pour transporter ou pour tirer l'aspirateur.
  - b) **NE DÉBRANCHEZ PAS** l'appareil en tirant sur le cordon d'alimentation. Agrippez la fiche et non le cordon d'alimentation.
  - c) **NE PASSEZ PAS** l'aspirateur sur le cordon d'alimentation, ne fermez pas de porte sur le cordon, ne tendez pas le cordon sur des coins pointus et ne laissez pas le cordon près de surfaces chaudes.

15. **ÉVITEZ** d'insérer des objets dans les ouvertures de la buse ou de tout autre accessoire. **N'UTILISEZ PAS** l'appareil si une ouverture est obstruée. Veillez à ce que les ouvertures ne soient pas bloquées par de la poussière, de la peluche, des cheveux ou tout autre élément qui pourrait gêner la circulation de l'air.
  16. **N'UTILISEZ PAS** l'appareil si le flux d'air de la buse ou de l'accessoire est obstrué. Si la buse de plancher motorisée ou les conduits d'air deviennent obstrués, éteignez l'aspirateur et débranchez-le de la prise de courant. Retirez toute obstruction avant de remettre l'appareil en marche.
  17. Tenez la buse et tous les orifices de l'aspirateur éloignés des cheveux, du visage, des doigts, des pieds déchaussés ou de vêtements amples.
  18. **N'UTILISEZ PAS** l'aspirateur s'il ne fonctionne pas comme prévu, ou s'il a été échappé sur le sol, endommagé, laissé à l'extérieur ou immergé.
  19. Soyez extrêmement prudent lorsque vous nettoyez les escaliers.
  20. **NE LAISSEZ PAS** l'aspirateur sans surveillance lorsqu'il est branché.
  21. Lorsqu'il est en marche, gardez l'aspirateur en mouvement sur le tapis en tout temps, afin d'éviter d'endommager les fibres du tapis.
  22. **NE PLACEZ PAS** l'aspirateur sur des surfaces instables comme des chaises ou des tables.
  23. Votre aspirateur Shark® pourrait ne pas avoir été conçu pour se maintenir de lui-même en position verticale. Lorsque vous prenez une pause, vous devrez peut-être l'appuyer contre un meuble ou un mur, ou le placer sur le plancher. Toute utilisation où l'aspirateur serait entraîné des blessures corporelles.
  24. **N'UTILISEZ PAS** l'appareil pour aspirer :
    - a) Des liquides
    - b) Des objets de grande taille
    - c) Des objets durs ou tranchants (verre, clous, vis ou pièces de monnaie)
  - d) De grandes quantités de poussière (poussière de cloison sèche, cendres ou braises de foyer). **N'UTILISEZ PAS** l'aspirateur comme accessoire pour un outil électrique pour l'aspiration de la poussière.
  - e) Des objets fumants ou brûlants (charbons ardents, mégots de cigarettes ou allumettes)
  - f) Des matériaux inflammables ou combustibles (essence à briquet, essence ou kérosène)
  - g) Des matières toxiques (eau de Javel, ammoniac ou produit débouchant)
25. **N'UTILISEZ PAS** l'appareil dans les endroits suivants :
- a) Les endroits faiblement éclairés
  - b) Les surfaces humides ou mouillées
  - c) À l'extérieur
  - d) Endroits fermés pouvant contenir des matières explosives ou des fumées ou des vapeurs toxiques (essence à briquet, essence, kérosène, peinture, diluants à peinture, produits de traitement antimite ou poussières inflammables)
26. Fermez toutes les commandes avant de débrancher ou de débrancher l'aspirateur.
27. Débranchez l'appareil de la prise murale lorsqu'il n'est pas en usage, et avant d'en faire l'entretien ou de le nettoyer.
28. Lavez à la main avec de l'eau seulement. L'utilisation de produits chimiques de nettoyage pourrait endommager l'appareil.
29. Pendant le nettoyage ou l'entretien, **NE COUPEZ AUCUNE** matière autre que des cheveux, des fibres ou de la ficelle enroulés autour de la brosse rotative.
30. Laissez tous les filtres sécher complètement avant de les remettre dans l'aspirateur pour éviter que du liquide ne soit aspiré dans les composants électriques.
31. Après avoir effectué l'entretien de routine, assurez-vous que le récipient à poussière et tous les filtres sont en place.
32. Le cas échéant, fixez le cordon d'alimentation autour des deux crochets avant de ranger l'appareil.

## CONSERVEZ CES INSTRUCTIONS

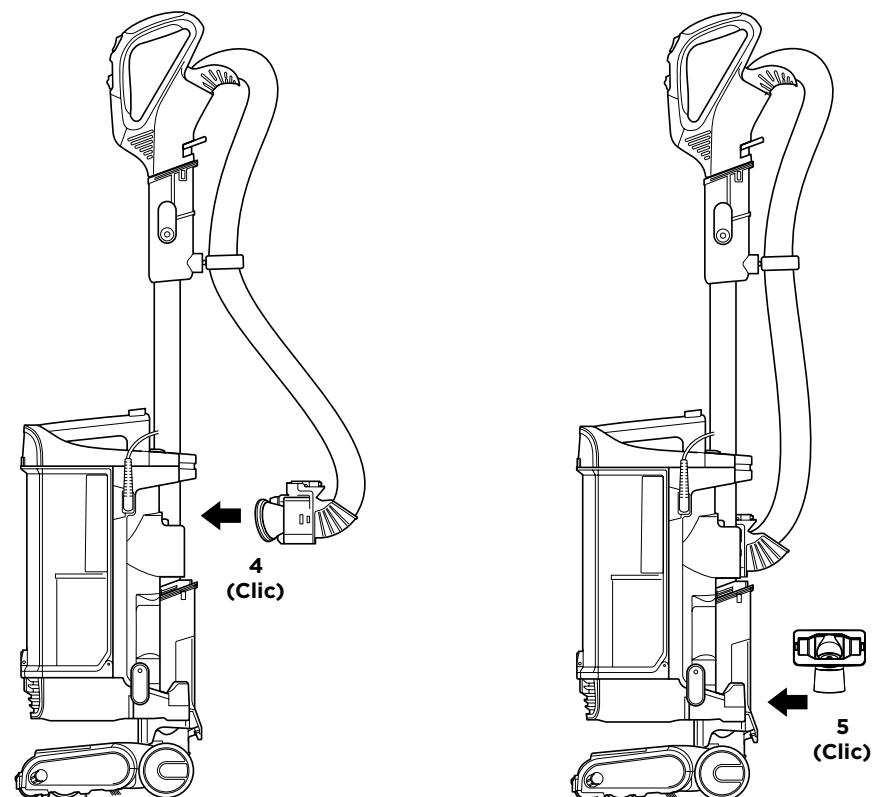
## ASSEMBLAGE



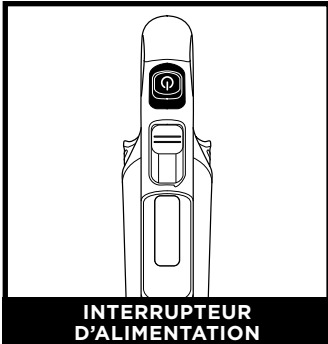
1. Placez la **buse** motorisée sur le sol et insérez le **tube** à l'intérieur, de manière à entendre un déclic indiquant qu'il est bien en place.
2. Faites glisser le **réceptacle** sur le tube afin de les raccorder.
3. Insérez la **poignée** dans le tube de manière à entendre un déclic indiquant qu'elle est bien en place.
4. Fixez le **tuyau** à l'arrière du réceptacle de manière à entendre un déclic indiquant qu'il est bien en place.
5. Rangez les accessoires inclus sur les **supports d'accessoires** sur le réceptacle.

**IMPORTANT :** Afin que l'appareil fonctionne correctement, assurez-vous que tous les branchements sont maintenus fermement en place.

## ASSEMBLAGE

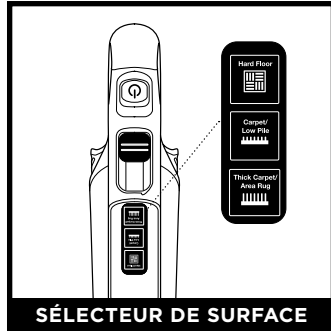


RÉGLAGES



INTERRUPTEUR D'ALIMENTATION

Appuyez sur l'interrupteur d'alimentation pour mettre l'aspirateur en marche. Veuillez noter que la brosse rotative est activée uniquement lorsque l'aspirateur est incliné vers l'arrière.



SÉLECTEUR DE SURFACE

**Nettoyage de tapis épais et décoratifs**

Réglez le sélecteur de surface à la position du haut pour sélectionner Thick Carpet/Area Rug (tapis épais/tapis décoratifs).

**Nettoyage des carpettes et des tapis à poils courts**

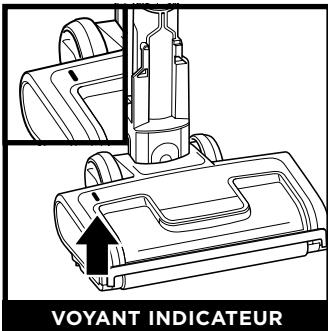
Réglez le sélecteur de surface à la position du milieu pour sélectionner Carpet/Low Pile (carpettes/tapis à poils courts) afin d'accélérer la vitesse des brosses rotatives et d'aider à enlever la poussière et les débris collés.

**Nettoyage du plancher**

Réglez le sélecteur de surface à la position du bas pour sélectionner Hard Floor (plancher).

**REMARQUE :** Essayez d'utiliser le mode Hard Floor (plancher) pour les carpettes à poil court.

VOYANT INDICATEUR DE LA BROSSÉ ROTATIVE



VOYANT INDICATEUR

**QU'INDIQUENT LES VOYANTS INDICATEURS DE LA BROSSÉ ROTATIVE?**

**Vert uni :** Les brosses rotatives tournent et fonctionnent adéquatement.

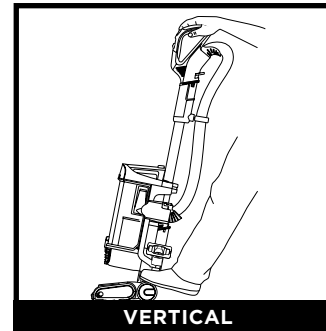
**Rouge uni :** Une obstruction a été détectée dans la zone de la brosse rotative. Éteignez l'aspirateur, débranchez-le et retirez tout élément causant l'obstruction dans la buse.

**Vert clignotant :** L'aspirateur fonctionne dans un environnement trop chaud ou trop froid. L'aspirateur ne fonctionne correctement qu'à des températures comprises entre 32 °F (0 °C) et 104 °F (40 °C). Éteignez l'aspirateur et réglez la température ambiante. Une fois que la température ambiante est comprise dans la plage d'utilisation, remettez l'aspirateur sous tension.

**Rouge clignotant :** La buse de plancher motorisée surchauffe. Éteignez l'aspirateur, débranchez-le et retirez tout élément causant l'obstruction. Laissez l'aspirateur refroidir pendant au moins 60 minutes avant de le remettre en marche. Consultez la section de dépannage pour obtenir plus de renseignements.

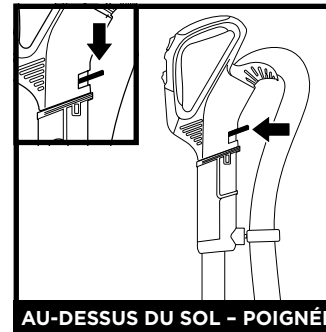
**REMARQUE :** Pour un nettoyage en profondeur selon la norme ASTM F 608 (élimination des saletés incrustées dans les tapis), sélectionnez le réglage **Carpet/Low Pile** (carpettes/tapis à poils courts).  
**REMARQUE :** Pour une aspiration maximale selon la norme ASTM F558 lors du nettoyage au-dessus du plancher, réglez l'appareil en mode **Hard Floor** (plancher).

MODES DE NETTOYAGE



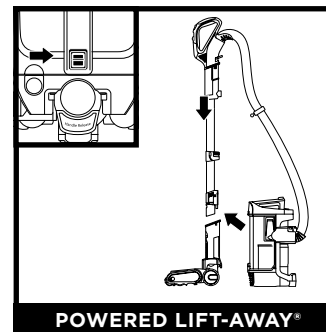
VERTICAL

Pour activer les brosses rotatives, appuyez sur la buse de plancher et inclinez la poignée vers l'arrière.



AU-DESSUS DU SOL - POIGNÉE

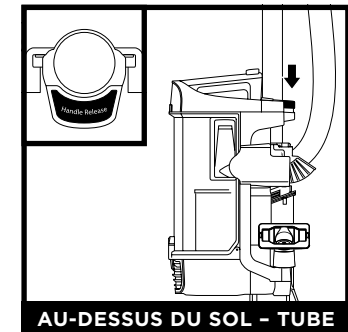
Appuyez sur le loquet **Handle Release** (dégagement de la poignée) afin de détacher la poignée du tube.



POWERED LIFT-AWAY®

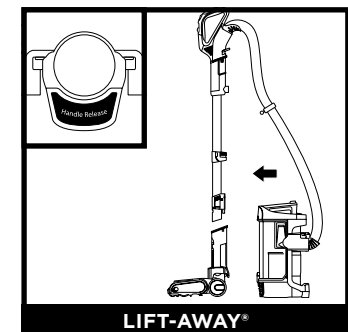
Appuyez sur le bouton **Lift-Away** (déverrouillage) afin de détacher le réceptacle de la buse de plancher.

**REMARQUE :** Tous les accessoires sont compatibles avec le tube et la poignée.



AU-DESSUS DU SOL - TUBE

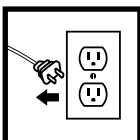
Appuyez sur le bouton **Wand Release** (dégagement du tube) afin de détacher le tube du réceptacle.



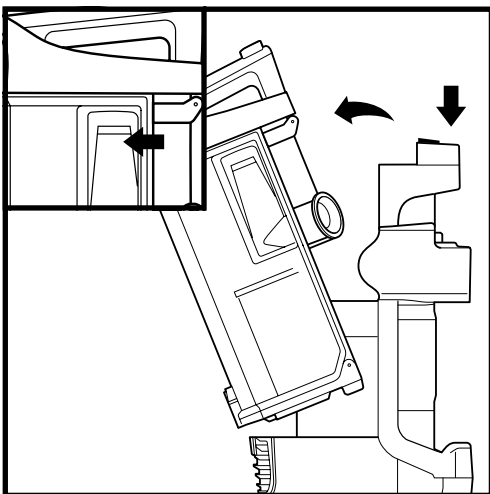
LIFT-AWAY®

Une fois le réceptacle retiré, appuyez sur le bouton **Wand Release** (dégagement du tube) afin de détacher le tube de la buse de plancher.

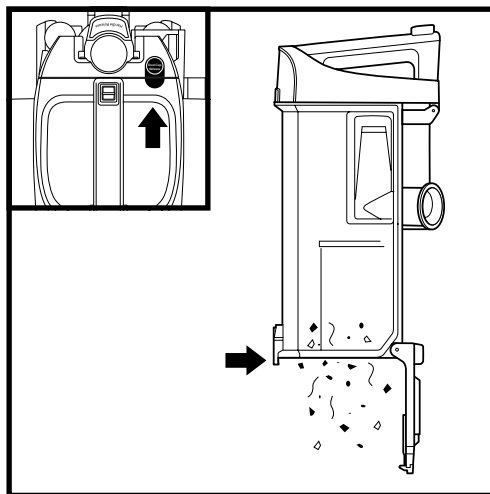
## VIDANGE DU RÉCIPENT À POUSSIÈRE



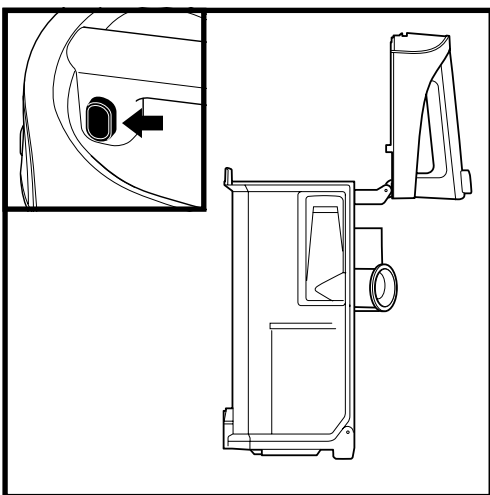
**IMPORTANT :** Débranchez le cordon d'alimentation avant d'effectuer tout entretien.



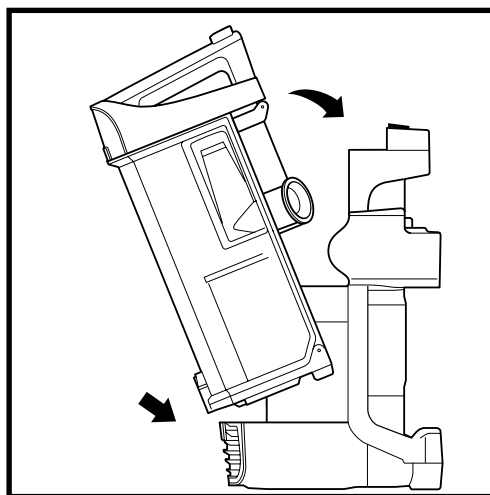
Pour retirer le **réceptacle à poussière**, appuyez sur le bouton de dégagement au-dessus du réceptacle. Inclinez le réceptacle à poussière en direction opposée du tube, puis soulevez-le afin de le retirer.



Pour jeter les débris aux ordures, appuyez sur le bouton de dégagement inférieur et le bas du réceptacle à poussière s'ouvrira.



Afin de retirer les débris ramassés dans le **filtre à charpie**, appuyez sur le bouton de dégagement du dessus et tirez la poignée pour accéder au filtre.



Afin de réinstaller le réceptacle à poussière, placez son dessous sur le réceptacle, puis inclinez le réceptacle à poussière jusqu'à ce que vous entendiez un déclic.

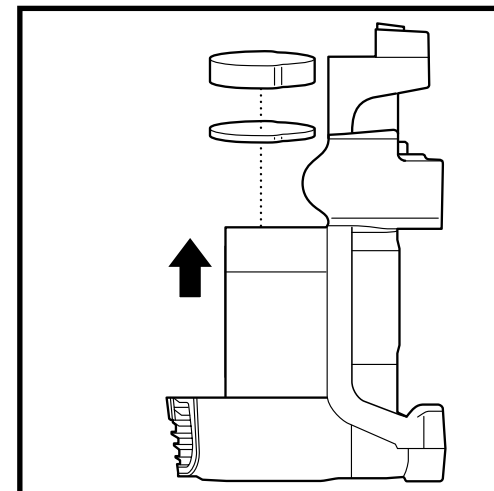
## NETTOYAGE ET REMPLACEMENT DES FILTRES

### NETTOYAGE DES FILTRES

**Rincez régulièrement et remplacez les filtres afin de maintenir la puissance d'aspiration de votre aspirateur.**

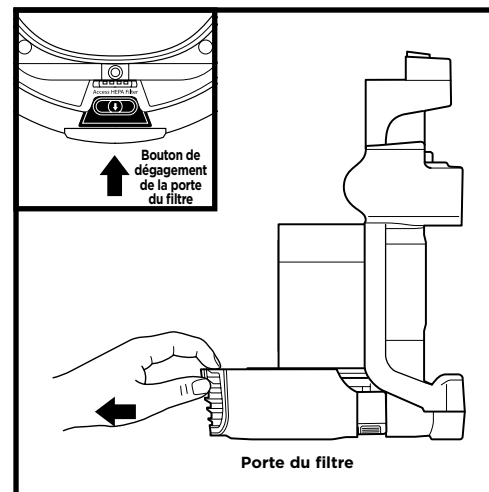
Rincez les filtres avec de l'eau froide seulement afin d'éviter les dégâts résultant de l'utilisation de produits chimiques. Laissez tous les filtres sécher entièrement au moins 24 heures avant de les remettre dans l'aspirateur pour éviter que l'eau ne soit aspirée dans les composants électriques.

**IMPORTANT :** **N'UTILISEZ PAS** de savon pour nettoyer les filtres.

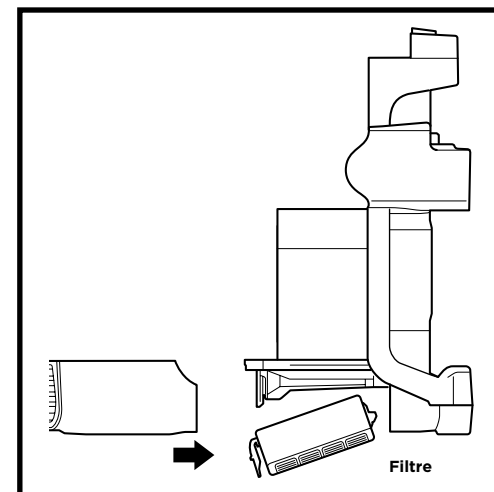


NETTOYEZ LES FILTRES PRÉ-MOTEUR À CHAQUE MOIS

Retirez le **réceptacle à poussière**, puis soulevez les **filtres**.



Porte du filtre



Filtre

### NETTOYEZ LE FILTRE HEPA CHAQUE ANNÉE

Lorsque le réceptacle à poussière est retiré, appuyez sur le bouton qui se trouve sur la **porte du filtre**. Tirez et faites glisser l'accessoire vers l'extérieur pour le retirer, puis sortez le **filtre HEPA**. Pour le réinstaller, insérez le filtre HEPA dans l'appareil et replacez la porte du filtre.

**REMARQUE :** Les filtres pré-moteur devraient être remplacés tous les 2 ans et demi. Le filtre post-moteur devrait être remplacé tous les 3 ans.

## ENTRETIEN

### ENTRETIEN DE LA BUSE

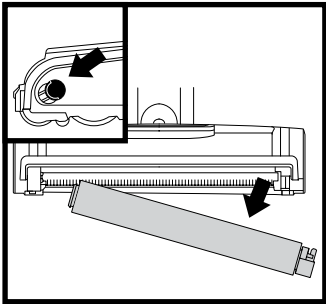
#### BROSSE ROTATIVE AUTONETTOYANTE

S'il y a des cheveux enroulés autour de la brosse rotative, continuez à passer l'aspirateur en utilisant le mode Carpet/Low Pile (carpettes/tapis à poils courts) sur les planchers, les tapis à poils courts ou les carpettes. Ainsi, la brosse rotative autonettoyante pourra enlever les cheveux enroulés et les envoyer dans le récipient à poussière.

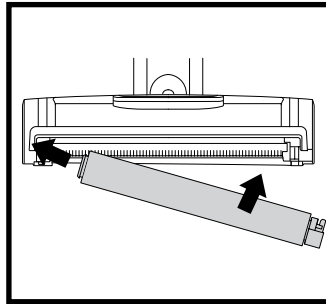
Si vous passez l'aspirateur sur un objet dur ou tranchant ou que vous remarquez un changement de bruit pendant que vous passez l'aspirateur, vérifiez la présence d'obstructions ou d'objets coincés dans la brosse rotative.

Si certaines fibres restent enroulées autour de la brosse rotative après une utilisation continue, retirez-les de la brosse.

#### NETTOYAGE DU ROULEAU DOUX

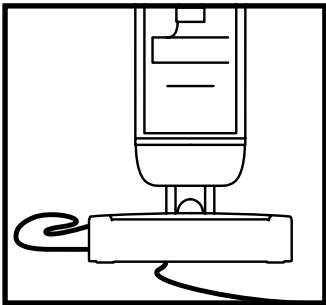


Pour enlever le rouleau doux, faites glisser le bouton d'accès de ce dernier vers l'avant.



Lavez le rouleau doux à la main au besoin. Utilisez uniquement de l'eau et laissez-le sécher entièrement à l'air libre pendant au moins 24 heures. Réinsérez le rouleau doux à l'avant de la buse jusqu'à ce qu'un clic se fasse entendre.

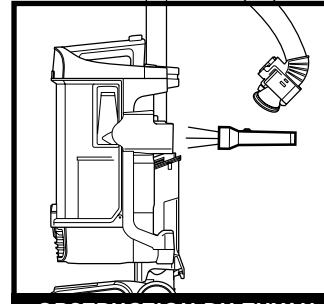
#### ENTRETIEN DU CORDON



Pour minimiser le risque d'endommager le cordon d'alimentation, **NE PAS** faire passer l'aspirateur sur le cordon d'alimentation. Si cela se produit, coupez immédiatement l'alimentation de l'aspirateur et retirez le cordon de la brosse rotative ou de la buse.

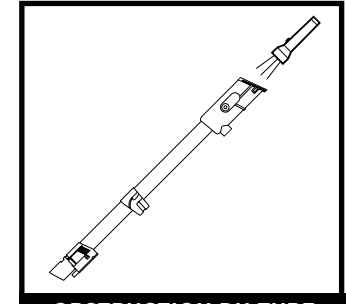
1. **N'UTILISEZ PAS** le cordon d'alimentation comme poignée, pour porter ou pour tirer l'aspirateur.
2. **NE DÉBRANCHEZ PAS** l'appareil en tirant sur le cordon d'alimentation. Agrippez par la fiche et non le cordon.
3. **NE FERMEZ PAS** de porte sur le cordon d'alimentation.
4. **NE TIREZ PAS** le cordon autour d'un coin pointu.
5. **NE LAISSEZ PAS** le cordon près de surfaces chauffées.

## VÉRIFICATION DE LA PRÉSENCE D'OBSTRUCTIONS



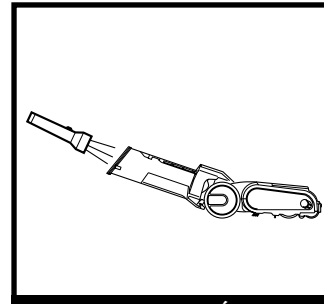
**OBSTRUCTION DU TUYAU**

Détachez le tuyau du réceptacle de l'aspirateur et vérifiez le tuyau et l'ouverture du réceptacle pour voir s'il y a des obstructions.



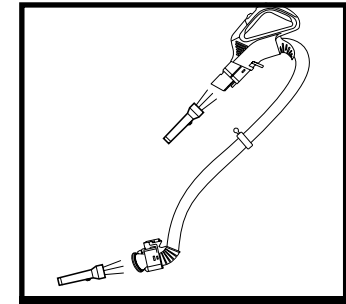
**OBSTRUCTION DU TUBE**

Détachez le tube de la buse de plancher et de la poignée et vérifiez s'il y a des obstructions des deux côtés.



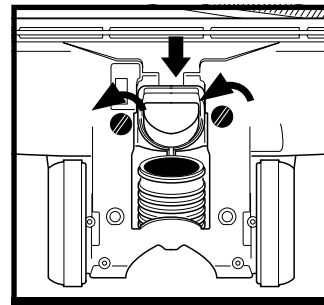
**OBSTRUCTION DU RÉCEPTACLE**

Détachez le tube de la buse de plancher, inclinez la buse vers l'arrière, et vérifiez s'il y a des obstructions dans l'ouverture.



**OBSTRUCTION DE LA POIGNÉE/TUYAU**

Détachez la poignée du tube et le tuyau du réceptacle de l'aspirateur afin de vérifier s'il y a des obstructions aux extrémités.



**BLOCAGE DE LA BUSE DU TUYAU**

Pour accéder à la buse du tuyau, ouvrez les verrous au fond de la buse. Avec une pièce de monnaie, tournez les verrous dans le sens antihoraire, puis soulevez le couvercle et dégagez toute obstruction.

## ACCESSOIRES DISPONIBLES

### A Suceur plat

Cet accessoire effilé permet d'accéder aux coins, aux plinthes et aux endroits exigus et d'atteindre les plafonds.

### B Outil à meubles

Enlève les cheveux, la poussière et les gros débris des matelas, des canapés, des rideaux, des abat-jours et des autres tissus rembourrés délicats.

### C Accessoire polyvalent pour les poils d'animaux de compagnie

Un seul outil convertible pour nettoyer les dégâts des animaux de compagnie de deux manières : utilisez la brosse aux soies rigides pour nettoyer les débris tenaces, ou retirez la brosse à poils pour révéler un outil à meubles parfait pour nettoyer les poils d'animaux tenaces et les gros amas de débris.

### D Outil suceur plat avec brosse à épousseter

Deux accessoires de nettoyage en un. Le suceur plat vous permet de mieux atteindre des espaces restreints à nettoyer, tandis que la brosse douce à épousseter est parfaite pour nettoyer des surfaces délicates.

### E Brosse motorisée pour les poils d'animaux

La brosse à turbine détache et élimine les poils d'animaux et les débris des tapis, et nettoie en profondeur et avec puissance les squames des tissus d'ameublement et d'autres surfaces.

### F Tube d'extension pour l'espace sous les meubles

Utilisez cet outil réglable de 91 cm pour nettoyer en dessous et à l'arrière des meubles et des appareils électroménagers difficiles à déplacer. Retournez l'accessoire de rallonge pour nettoyer en dessous des appareils électroménagers.

### G Brosse à épousseter anti-allergène

Cette brosse est dotée de poils en fibre de nylon spécialement conçus pour enlever la poussière fine et les particules allergènes des surfaces les plus délicates.

### H Labrosse motorisée pour les poils d'animaux autonettoyante

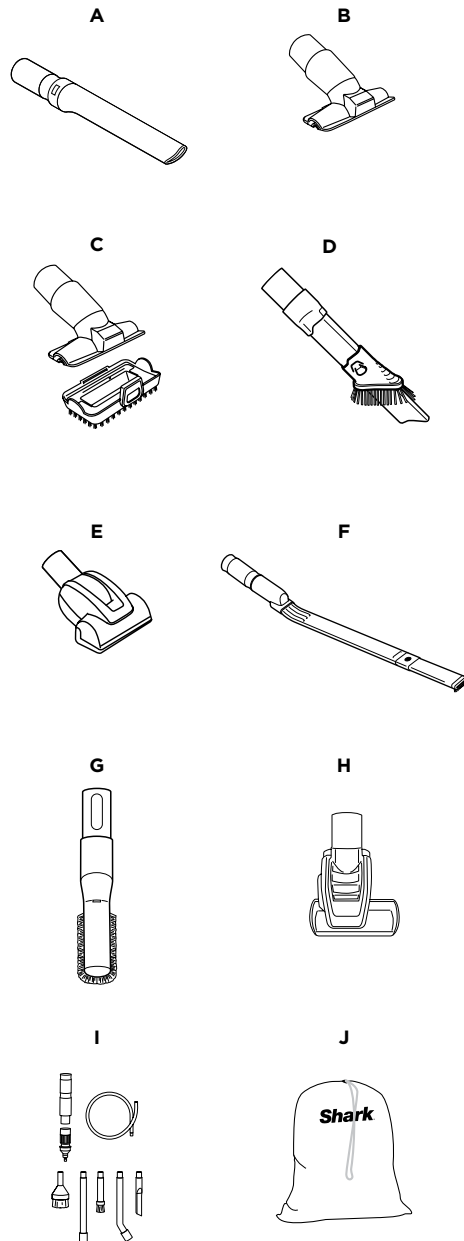
s'attaque aux poils d'animaux domestiques et à la saleté incrustée dans les zones surélevées, comme les marches recouvertes de tapis et les meubles en tissu, tout en retirant activement l'enroulement de poils et de cheveux pendant qu'elle nettoie.

### I Ensemble pour maison et voiture

Nettoyez votre voiture en profondeur, comme un détaillant professionnel, ou nettoyez les zones difficiles à atteindre de votre maison. Des micro-outils vous permettent de nettoyer autour d'objets délicats et d'accéder aux espaces les plus exigus, comme les bouches d'aération de voiture et les claviers d'ordinateur.

### J Sac d'accessoires

Ce sac de rangement pratique pour accessoires de 32 cm x 70 cm peut contenir le tube d'extension pour l'espace sous les meubles. Version en format réduit proposée sur [sharkaccessories.com](http://sharkaccessories.com).



**REMARQUE :** Tous les accessoires ne sont pas fournis avec tous les appareils. Pour une liste des accessoires inclus avec ce modèle, consultez le rabat intérieur supérieur de la boîte. Pour acheter des accessoires supplémentaires, consultez le site [sharkaccessories.com](http://sharkaccessories.com).

## DÉPANNAGE

### Le cordon d'alimentation est coincé dans la brosse rotative ou dans la buse de plancher.

- Pour minimiser le risque d'endommager le cordon d'alimentation, NE PAS faire passer l'aspirateur sur le cordon d'alimentation. Si cela se produit, coupez immédiatement l'alimentation de l'aspirateur et retirez le cordon de la brosse rotative ou de la buse.
- Avant d'utiliser l'appareil, inspectez le cordon d'alimentation et la fiche pour détecter d'éventuels dommages. N'UTILISEZ PAS l'aspirateur si le cordon d'alimentation ou la fiche sont endommagés. Fermez toutes les commandes avant de brancher ou de débrancher l'aspirateur. Rangez l'aspirateur en prenant soin d'enrouler le cordon d'alimentation autour des deux crochets à cordon.

### L'aspirateur ne ramasse pas la poussière. Aucune aspiration ou aspiration faible.

- Vérifiez les filtres pour voir s'ils doivent être nettoyés. Suivez les instructions de rinçage et de séchage des filtres avant de les réinsérer.
- Le récipient à poussière pourrait être plein; videz-le, le cas échéant.
- Vérifiez le tuyau, les raccords du tuyau, la buse, le tube, le réceptacle et les accessoires pour déterminer s'ils sont obstrués. Éliminez toute obstruction, le cas échéant. Consultez la section Vérification des obstructions pour plus d'informations.
- Si des poils, une ficelle ou des fibres de tapis sont enroulés autour de la brosse rotative, prolongez la durée de nettoyage pour permettre à la brosse rotative autonettoyante de les retirer pour vous. Si des cheveux ou certaines fibres restent enroulées autour de la brosse rotative après une utilisation continue, enlevez-les soigneusement. Vérifiez la section Nettoyage de la brosse rotative pour plus d'informations.

### L'aspirateur soulève les carpettes.

- Assurez-vous que le sélecteur de surface est réglé sur Nettoyage de tapis épais et de tapis.
- La succion est puissante. Faites attention lorsque vous passez l'aspirateur sur les carpettes et sur les tapis à bordure cousue délicate.

### Les brosses rotatives ne tournent pas.

- Si le voyant indicateur de la brosse rotative devient rouge, éteignez et débranchez immédiatement l'aspirateur. Retirez le réceptacle et le tube de la buse de plancher et éliminez toutes les obstructions. Refixez la buse, branchez l'aspirateur et mettez-le en marche.
- Lorsque l'aspirateur est en marche, inclinez la poignée; cela activera automatiquement les brosses rotatives.

### L'aspirateur s'éteint tout seul ou le voyant indicateur clignote en rouge.

En cas de surchauffe de l'aspirateur, le thermostat éteint automatiquement le moteur de l'appareil. Suivez les étapes ci-dessous pour réinitialiser l'appareil :

1. Éteignez l'aspirateur et débranchez-le.
2. Videz le récipient à poussière et nettoyez les filtres. Reportez-vous aux sections Vidange du récipient à poussière et Nettoyage des filtres pour plus de renseignements.
3. Vérifiez s'il y a des obstructions dans le tuyau, le tube, la buse de plancher, les accessoires et les orifices d'entrée.
4. Laissez refroidir l'appareil pendant au moins 60 minutes.
5. Branchez l'aspirateur et mettez-le en marche.

Si vous rencontrez toute autre difficulté, veuillez contacter notre service à la clientèle au 1 800 798-7398.

## GARANTIE LIMITÉE DE CINQ (5) ANS

La garantie limitée de cinq (5) ans s'applique aux achats effectués auprès de détaillants autorisés de **SharkNinja Operating LLC**. La garantie s'applique uniquement au premier propriétaire et au produit original et n'est pas transférable.

SharkNinja garantit ce produit contre toute défectuosité de matériau ou de main-d'œuvre pour une période de cinq (5) ans à compter de la date d'achat, dans le cadre d'un usage domestique normal et si le produit est entretenu conformément aux exigences décrites dans le guide de l'utilisateur, sujet aux conditions et aux exclusions ci-dessous :

### Qu'est-ce qui est couvert par cette garantie?

1. L'appareil d'origine ou les pièces inusables considérés comme défectueux, à la seule discrétion de SharkNinja, seront réparés ou remplacés jusqu'à cinq (5) ans à compter de la date d'achat initiale.
2. Dans le cas d'un remplacement de l'appareil, la garantie prendra fin six (6) mois après la date de réception de l'appareil de remplacement ou pendant le reste de la période de garantie existante, selon la période la plus longue. SharkNinja se réserve le droit de remplacer l'appareil par un autre de valeur égale ou supérieure.

### Qu'est-ce qui n'est pas couvert par cette garantie?

1. L'usure normale des pièces (comme les filtres en mousse, les filtres HEPA, les tampons, etc.) qui nécessitent un entretien et/ou un remplacement réguliers afin d'assurer le bon fonctionnement de votre appareil n'est pas couverte par cette garantie. Vous pouvez faire l'achat de pièces de rechange par l'entremise du site [sharkaccessories.com](http://sharkaccessories.com).
2. La garantie ne s'applique pas aux appareils ayant été altérés ou utilisés à des fins commerciales.
3. Les dommages causés par une mauvaise utilisation (comme aspirer de l'eau ou d'autres liquides), un abus, une négligence lors de la manipulation, un manquement à l'entretien nécessaire (comme ne pas nettoyer les filtres), ou un dommage dû à une mauvaise manipulation pendant le transport.
4. Les dommages indirects et accidentels.
5. Les défaillances causées par des réparateurs non autorisés par SharkNinja. Ces défectuosités incluent les dommages causés lors du processus d'expédition, de modification ou de réparation du produit SharkNinja (ou de l'une de ses pièces) lorsque la réparation est effectuée par un réparateur non autorisé par SharkNinja.
6. Les produits achetés, utilisés ou mis en fonction à l'extérieur de l'Amérique du Nord.

### Comment obtenir du service

Si votre appareil ne fonctionne pas comme il le devrait lors d'un usage domestique normal pendant la période de garantie, consultez le site [sharkclean.com/support](http://sharkclean.com/support) pour obtenir des renseignements au sujet des soins et de l'entretien du produit. Nos spécialistes du service à la clientèle sont aussi disponibles au **1 800 798-7398** pour de l'assistance sur les produits et les options de garantie de service offertes, y compris la possibilité de profiter de nos options de garantie VIP pour certaines catégories de produits. Afin que nous puissions mieux vous aider, veuillez enregistrer votre produit en ligne au [registryourshark.com](http://registryourshark.com) et ayez le produit à portée de main lorsque vous appelez.

SharkNinja assumera les frais de retour de l'appareil à nos sites par le consommateur en vue de la réparation ou du remplacement de l'appareil. Un montant de 25,95 \$ (sujet à changement) sera facturé lorsque SharkNinja expédiera l'appareil réparé ou remplacé.

### Comment présenter une demande de service sous garantie

Vous devez téléphoner au **1 800 798-7398** pour soumettre une réclamation au titre de la garantie. Vous aurez besoin du reçu comme preuve d'achat. Nous vous demandons également d'enregistrer votre produit en ligne au [registryourshark.com](http://registryourshark.com) et d'avoir le produit à portée de main lorsque vous appelez afin que nous puissions mieux vous aider. Un spécialiste du service à la clientèle vous fournira les directives d'emballage et de retour.

### Manière dont les lois provinciales ou étatiques s'appliquent

Cette garantie vous accorde des droits spécifiques légaux et vous pouvez aussi bénéficier d'autres droits qui varient d'une province ou d'un État à l'autre. Certains États américains ou certaines provinces canadiennes n'acceptent pas l'exclusion ou la limitation de dommages accessoires ou indirects, de sorte que les dispositions ci-dessus peuvent ne pas s'appliquer à votre cas.

### ENREGISTREZ VOTRE ACHAT



[registryourshark.com](http://registryourshark.com)



Numérisez le code QR avec votre appareil mobile



Avantages d'enregistrer votre produit et de créer un compte :

- Obtenez un service après-vente plus facile et plus rapide, et accédez aux informations de garantie
- Accédez au dépannage et aux instructions d'entretien du produit
- Soyez parmi les premiers à connaître les promotions exclusives de produits

**CONSEIL :** Le numéro de modèle et le numéro de série sont indiqués sur l'étiquette de code QR située en bas, à l'arrière du réceptacle de l'aspirateur.

### NOTEZ LES RENSEIGNEMENTS CI-DESSOUS

Numéro de modèle : \_\_\_\_\_

Numéro de série : \_\_\_\_\_

Date d'achat : \_\_\_\_\_  
(Conservez la facture)

Magasin où l'appareil a été acheté : \_\_\_\_\_

### CARACTÉRISTIQUES TECHNIQUES

Tension : 120 V~, 60 Hz

Puissance : 940W

# INSTRUCCIONES IMPORTANTES DE SEGURIDAD

SOLO PARA USO DOMÉSTICO

## ⚠️ ADVERTENCIA

Para reducir el riesgo de incendio, descargas eléctricas, lesiones o daños a la propiedad, siempre se deben seguir las siguientes precauciones básicas al utilizar un aparato eléctrico:

### LEA TODAS LAS INSTRUCCIONES ANTES DE USAR ESTA VACÍO

1. Revise que el enchufe y el cable de alimentación no estén dañados antes de usar. **NO** use la aspiradora si tiene el enchufe o el cable dañados. Apague todos los controles antes de enchufar o desenchufar la aspiradora. Almacene la aspiradora con el cable de alimentación bien sujeto alrededor de los dos ganchos para cable. Para minimizar el riesgo de daños en el cable de alimentación, no permita que el rodillo del cepillo motorizado aspire el cable. Si esto ocurre, apague inmediatamente la aspiradora y retire el cable..
2. Este aparato tiene un enchufe polarizado; si el enchufe no entra por completo en el tomacorriente, inviértalo (una hoja es más ancha que la otra). Si aun así no entra, comuníquese con un electricista calificado. **NO** lo inserte por la fuerza en el tomacorriente ni trate de modificarlo para que entre.
3. La aspiradora puede estar compuesta por una boquilla motorizada, un vástago, una manguera o un receptáculo de la aspiradora. Este dispositivo contiene conexiones eléctricas, cables eléctricos y piezas móviles que presentan un riesgo potencial para el usuario.
4. Use únicamente piezas de repuesto idénticas.
5. Observe y siga las siguientes instrucciones detenidamente para evitar el uso incorrecto del electrodoméstico. **NO** use la aspiradora para otro fin que no sea el que se describe en este manual.
6. Antes de usarla, inspeccione todas las piezas para verificar que no tengan daños. **NO** use ninguna pieza que esté dañada.
7. El uso de un cable de extensión **NO** se recomienda.
8. Esta aspiradora contiene piezas que no se reparan.

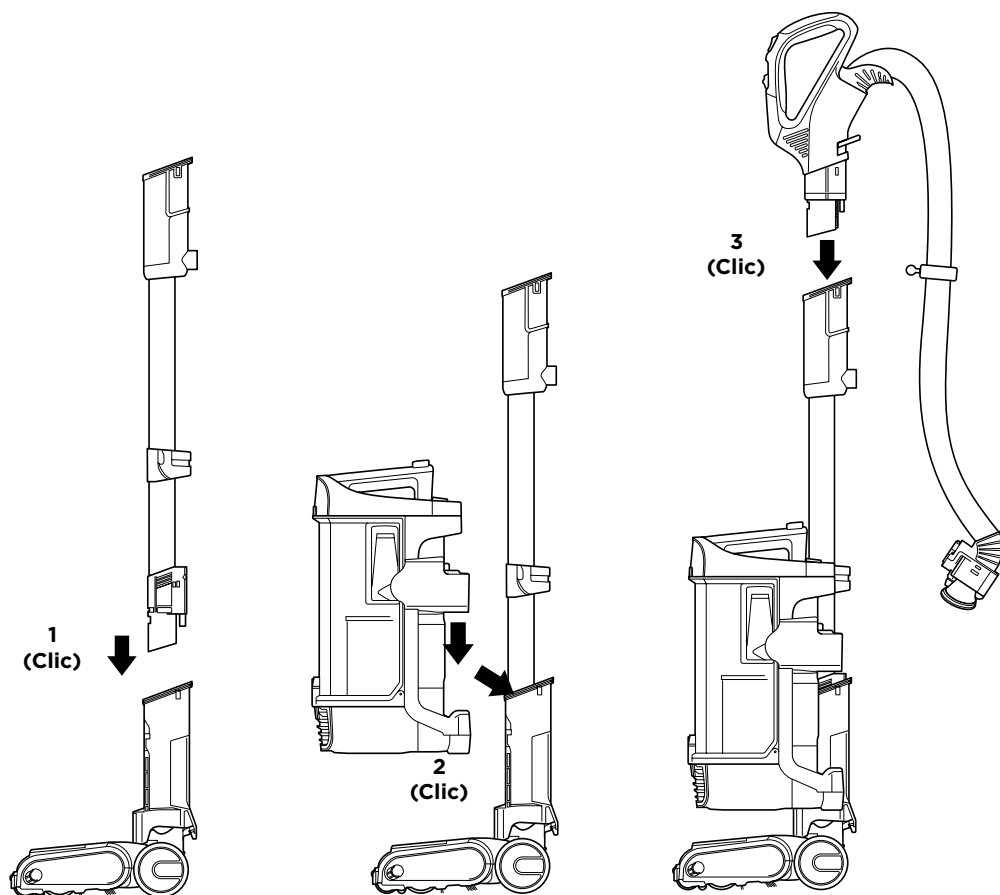
### ADVERTENCIAS PARA EL USO

9. Este electrodoméstico lo pueden utilizar personas con capacidades físicas, sensoriales o mentales disminuidas o que carecen de experiencia y conocimientos si han recibido la supervisión o instrucciones relacionadas con el uso del electrodoméstico de forma segura, y si comprenden los peligros. Los niños no deben realizar la limpieza y el mantenimiento del aparato. Mantenga este electrodoméstico y su cable fuera del alcance de los niños. **NO** permita que los niños usen el electrodoméstico. **NO** permita que los niños usen el electrodoméstico como un juguete. Es necesaria una supervisión minuciosa cuando se utiliza cerca de los niños.
10. Siempre apague la aspiradora antes de conectar o desconectar cualquier boquilla de piso motorizada u otros accesorios.
11. **NO** manipule el enchufe o la aspiradora con las manos mojadas.
12. **NO** la use sin los filtros colocados en su lugar.
13. Solo use filtros y accesorios de la marca Shark®.
14. **NO** dañe el cable de alimentación:
  - a) **NO** tire del cable ni cargue la aspiradora del cable ni use el cable como un mango.
  - b) **NO** desenchufe tirando del cable. Sujete el enchufe, no el cable.
  - c) **NO** pase la aspiradora sobre el cable de alimentación, ni cierre una puerta sobre el cable, ni tire del cable alrededor de esquinas afiladas, tampoco deje el cable cerca de superficies calientes.

15. **NO** coloque ningún objeto dentro de la boquilla de piso o los orificios de accesorios. **NO** la use con un orificio obstruido; mantenga el electrodoméstico libre de polvo, pelusas, pelo y cualquier otra cosa que pueda reducir el flujo de aire.
  16. **NO** la use si el flujo de aire de la boquilla de piso o del accesorio está restringido. Si los pasajes de aire o la boquilla de piso motorizada se bloquean, apague la aspiradora y desenchúfela de la toma de corriente eléctrica. Quite todas las obstrucciones antes de volver a enchufar y encender la unidad.
  17. Mantenga la boquilla de piso y todos los orificios de la aspiradora alejados del pelo, rostro, dedos, pies descalzos o ropa suelta.
  18. **NO** use la aspiradora si no funciona como debe ser o si se le cayó, dañó, se dejó en los exteriores o se cayó en agua.
  19. Tenga mucho cuidado al limpiar escaleras.
  20. **NO** deje la aspiradora sin supervisión mientras esté enchufada.
  21. Cuando esté encendida, mantenga la aspiradora en movimiento sobre la superficie de la alfombra en todo momento para evitar dañar las fibras de la alfombra.
  22. **NO** coloque la aspiradora en superficies poco estables, como sillas o mesas.
  23. La aspiradora Shark® no está diseñada para sostenerse por sí sola. Cuando haga una pausa en la limpieza, es posible que deba apoyarla contra un mueble o la pared o acostarla en el piso. El uso de la aspiradora en una aplicación en la que la unidad no tiene estabilidad puede provocar lesiones personales.
  24. **NO** la use para recoger lo siguiente:
    - a) Líquidos
    - b) Objetos grandes
    - c) Objetos duros o afilados (vidrio, clavos, tornillos o monedas)
    - d) Grandes cantidades de polvo (polvo de placas de yeso, cenizas de chimenea o brasas). **NO** la use como accesorio para recolección de polvo de herramientas eléctricas.
  - e) Objetos humeantes o incandescentes (carbón caliente, colillas de cigarrillo o fósforos)
  - f) Materiales inflamables o combustibles (líquido de encendedor, gasolina o queroseno)
  - g) Materiales tóxicos (blanqueador con cloro, amoníaco o limpiador alcalino para drenajes)
25. **NO** la use en las siguientes áreas:
    - a) Áreas poco iluminadas
    - b) Superficies húmedas o mojadas
    - c) Áreas exteriores
    - d) Espacios cerrados y que contengan gases o vapores explosivos o tóxicos (líquido de encendedor, gasolina, queroseno, pintura, diluyente de pintura, sustancias antipollas o polvo inflamable)
  26. Apague todos los controles antes de enchufar o desenchufar la aspiradora.
  27. Desenchúfela de la toma de corriente eléctrica cuando no la use y antes de cualquier mantenimiento o limpieza.
  28. Limpie a mano solo con agua. Limpiarla unidad con productos químicos de limpieza podría dañarla.
  29. Durante la limpieza o mantenimiento de rutina, **NO** corte nada más que los mechones de pelo, fibras o hilos enredados en el cepillo giratorio.
  30. Permita que todos los filtros se sequen al aire libre completamente antes de volver a colocarlos en la aspiradora para impedir que ingrese líquido a las piezas eléctricas.
  31. Asegúrese de que el recipiente para el polvo y todos los filtros estén en su lugar después del mantenimiento de rutina.
  32. Si se proporcionaron, asegure el cable de alimentación alrededor de los dos ganchos para cable durante el almacenamiento.

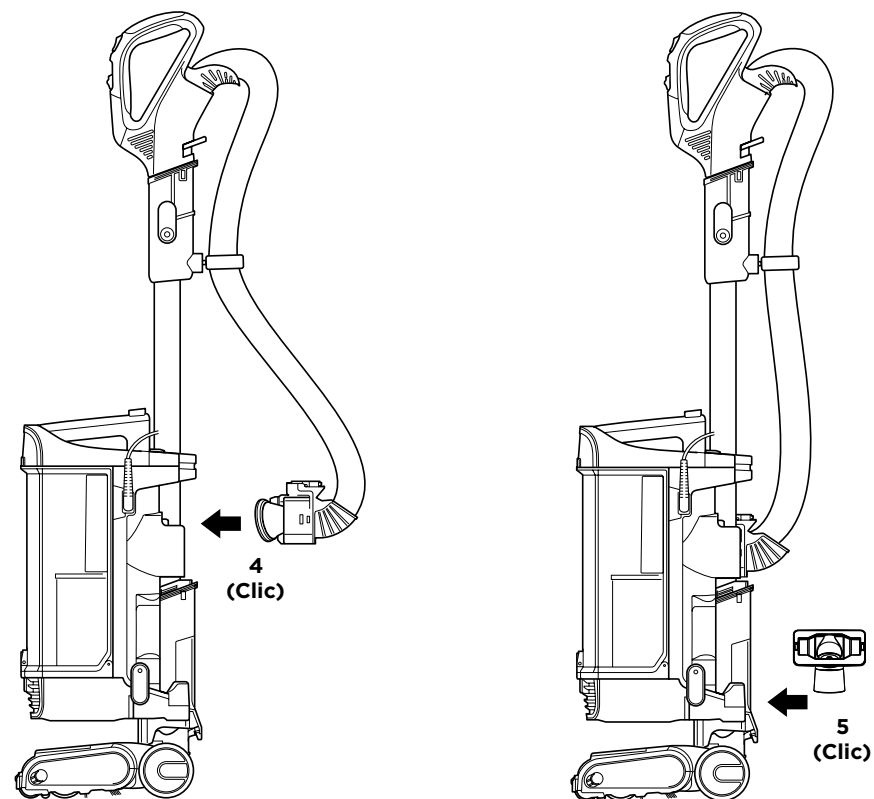
## CONSERVE ESTAS INSTRUCCIONES



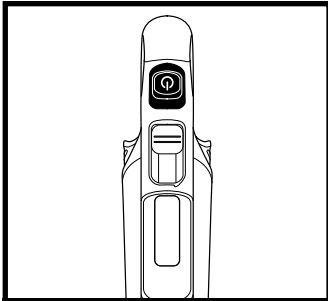


1. Coloque la **boquilla de piso** motorizada sobre el piso e inserte el **vástago** presionándolo hacia dentro hasta que enganche firmemente en su sitio.
2. Coloque el **receptáculo** en el vástago y deslícelo hacia abajo para conectarlo.
3. Inserte el **mango** en el vástago presionándolo hacia dentro hasta que enganche firmemente en su sitio.
4. Conecte la **manguera** en la parte trasera del receptáculo presionándola hacia dentro hasta que enganche firmemente en su sitio.
5. Guarde los accesorios incluidos en los **postes para accesorios** del receptáculo.

**IMPORTANTE:** Para un funcionamiento correcto, asegúrese de que todas las conexiones hayan encajado firmemente en su lugar.

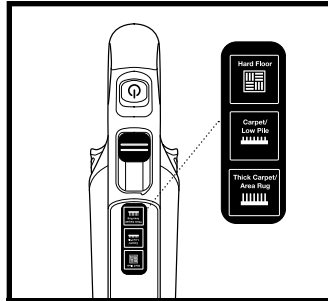


AJUSTES



INTERRUPTOR DE ENCENDIDO

Presione el botón de encendido para prender la aspiradora. Tenga presente que los cepillos giratorios no girarán si el vástago no está inclinado.



SELECTOR DE SUPERFICIE

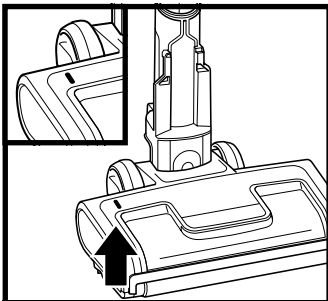
**Limpieza de alfombras y tapetes gruesos**  
Deslice el interruptor de superficie hacia la posición superior para seleccionar Thick Carpet/ Area Rug (alfombra/tapetes gruesos).

**Limpieza de alfombras de fibras cortas:**  
Deslice el interruptor de superficie hacia la posición media para seleccionar Carpet/Low Pile (alfombra/fibra corta) para aumentar la velocidad de los cepillos giratorios y facilitar la eliminación de polvo y suciedad pegados.

**Limpieza de piso duro**  
Deslice el interruptor de superficie hacia la posición inferior para seleccionar Hard Floor (piso duro).

**NOTA:** Intente usar el modo Hard Floor (piso duro) en alfombras de fibras cortas.

LUZ INDICADORA DEL CEPILLO GIRATORIO



LUZ INDICADORA

¿QUÉ SIGNIFICA LA LUZ INDICADORA DEL CEPILLO GIRATORIO?

**Verde continuo:** Los cepillos giratorios están girando y funcionando correctamente.

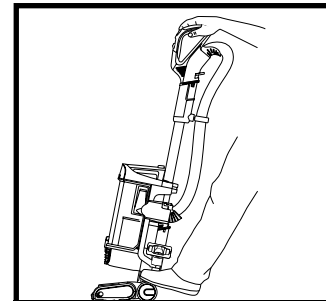
**Rojo continuo:** Hay una obstrucción en el área del cepillo giratorio. Apague y desconecte la aspiradora y quite cualquier obstrucción en la boquilla de piso.

**Verde intermitente:** La aspiradora está funcionando en un entorno demasiado caliente o demasiado frío. Esta aspiradora solo funcionará correctamente en temperaturas que van de 0 °C (32 °F) a 40 °C (104 °F). Apague la aspiradora y ajuste la temperatura ambiente. Una vez que la temperatura haya alcanzado el rango de funcionamiento, vuelva a encender la aspiradora.

**Rojo parpadeante:** La boquilla de piso motorizada se está sobrecalentando. Apague y desconecte la aspiradora y quite cualquier obstrucción. Deje que la aspiradora se enfríe durante al menos 60 minutos antes de volver a encenderla. Consulte la sección Solución de problemas para obtener más información.

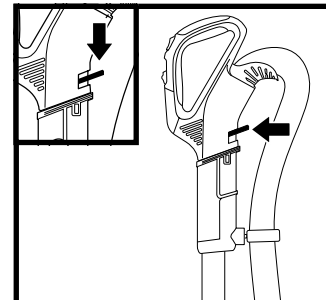
**NOTA:** Para una limpieza profunda según ASTM F 608 (suciedad incrustada en alfombras), ajuste el interruptor a **Carpet/Low Pile** (alfombra/fibra corta).  
**NOTA:** Para lograr una succión máxima cuando limpie pisos descubiertos según ASTM F558, coloque el interruptor en modo **Hard Floor** (piso duro).

MODOS DE LIMPIEZA



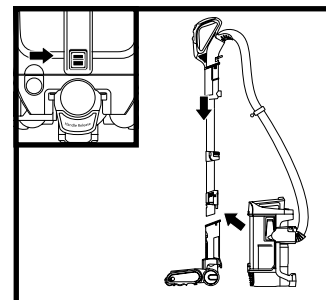
VERTICAL

Para enganchar los cepillos giratorios, pise la boquilla de piso e incline el mango hacia atrás.



POR ENCIMA DEL PISO - MANGO

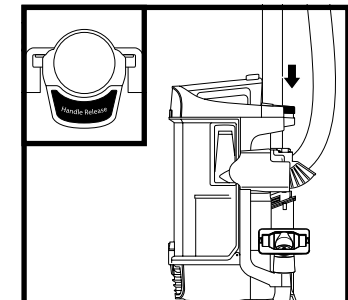
Presione el mecanismo **Handle Release** (liberar mango) para separar el mango del vástago.



LIFT-AWAY® POTENCIADO

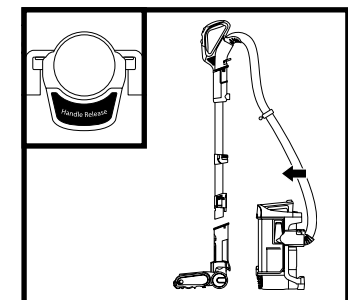
Presione el botón **Lift-Away** (separar) para separar el receptáculo de la boquilla de piso.

**NOTA:** Todos los accesorios son compatibles con el vástago y con el mango.



POR ENCIMA DEL PISO - VÁSTAGO

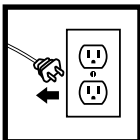
Presione el botón **Wand Release** (liberar vástago) para separar el vástago del receptáculo.



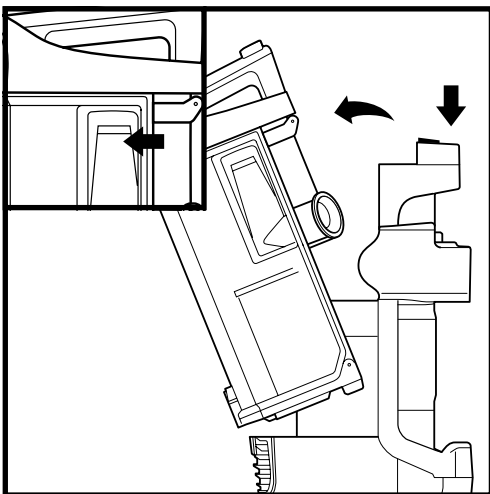
LIFT-AWAY®

Con el receptáculo desmontado, presione el botón **Wand Release** (liberar vástago) para separar el vástago de la boquilla de piso.

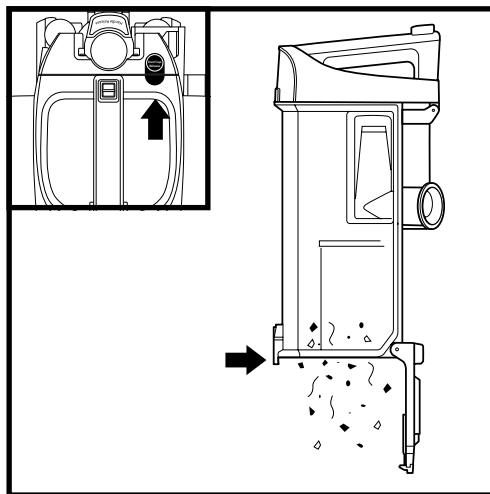
## CÓMO VACIAR EL RECIPIENTE PARA EL POLVO



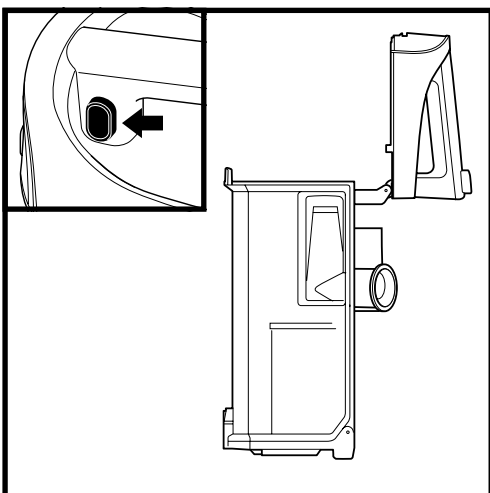
**IMPORTANTE:** Desenchufe el cable de alimentación antes de cualquier tarea de mantenimiento.



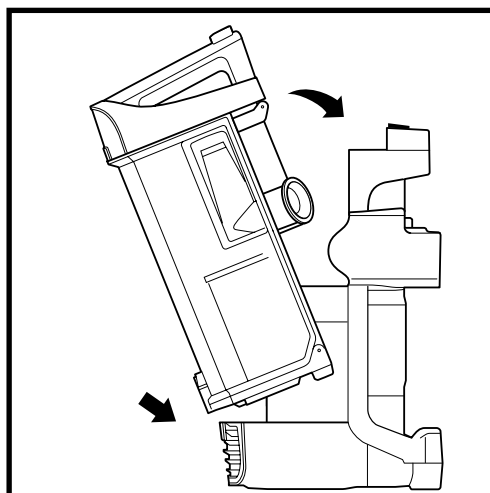
Para quitar el **recipiente para el polvo**, presione el botón de liberación en la parte superior del receptáculo. Incline el recipiente para el polvo alejándolo del vástago y levántelo para quitarlo.



Para vaciar los escombros en la basura, presione el botón de liberación inferior y el recipiente para el polvo se abrirá.



Para eliminar los desechos acumulados en la **rejilla para pelusa**, presione el botón de liberación superior y levante el mango para acceder a la rejilla.



Para reinstalar, coloque la parte inferior del recipiente para el polvo en el receptáculo y luego inclínelo hasta que encaje en su lugar.

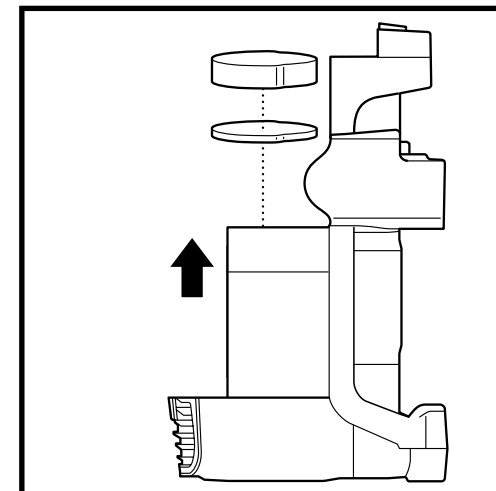
## CÓMO LIMPIAR Y REEMPLAZAR LOS FILTROS

### LIMPIEZA DE LOS FILTROS

**Enjuague y reemplace los filtros con regularidad para mantener el poder de succión de la aspiradora.**

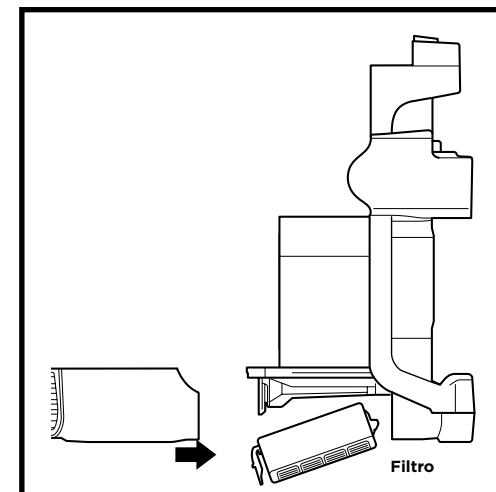
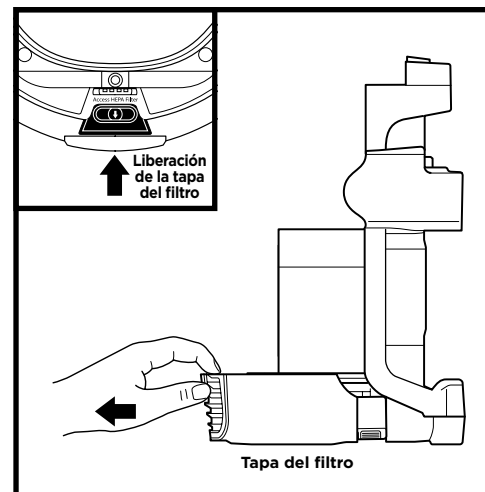
Para evitar daños producidos por productos químicos de limpieza, enjuague los filtros únicamente con agua fría. Permita que los filtros se sequen al aire por lo menos durante 24 horas antes de volver a colocarlos para evitar que ingrese líquido a las piezas eléctricas.

**IMPORTANTE: NO** use jabón cuando limpie los filtros.



LIMPIE LOS FILTROS DELANTEROS DEL MOTOR CADA MES

Quite el **recipiente para el polvo**, luego levante los **filtros**.



### LIMPIE EL FILTRO HEPA CADA AÑO

Una vez que haya quitado el recipiente para el polvo, presione el botón ubicado en **Filter Door** (tapa del filtro). Tire hacia adelante y deslice hacia afuera para quitarlo, después saque el **filtro HEPA**.

Para reinstalar, inserte el filtro HEPA en la unidad y vuelva a colocar la tapa del filtro.

**NOTA:** Los filtros delanteros del motor deben reemplazarse cada 2.5 años. El filtro trasero del motor debe reemplazarse cada 3 años.

## MANTENIMIENTO

### MANTENIMIENTO DE LA BOQUILLA DE PISO

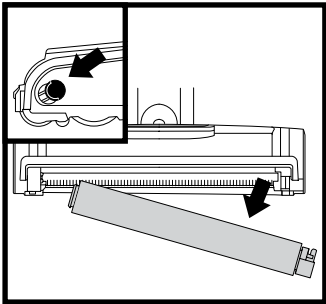
#### CEPILLO GIRATORIO DE AUTO-LIMPIEZA

Si hay cabello enredado en el cepillo giratorio, siga aspirando en el modo de Carpet/Low Pile (alfombra/fibra corta) sobre una superficie de piso descubierta, una alfombra de fibra corta o un tapete pequeño. Esto permitirá que el cepillo giratorio de autolimpieza quite el enredo de pelos y lo envíe al recipiente para el polvo.

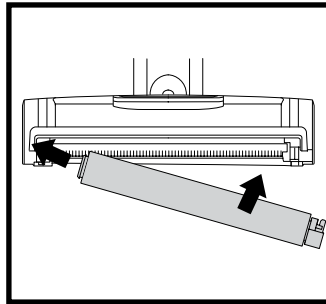
Si aspira un objeto duro o afilado o se da cuenta de un cambio en el ruido mientras aspira, verifique si hay obstrucciones u objetos atrapados en el cepillo giratorio.

Si aún quedan fibras enredadas en el cepillo giratorio después del uso constante, quítelas del cepillo giratorio.

#### LIMPIEZA DEL RODILLO SUAVE

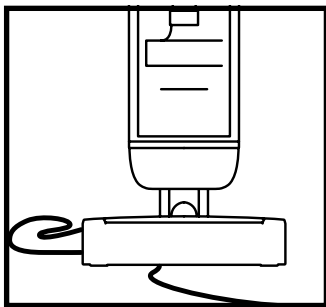


Deslice hacia adelante el botón de acceso al rodillo suave para liberar el rodillo.



Lave el rodillo suave a mano si es necesario. Use solamente agua y permita que seque por completo al aire por lo menos durante 24 horas. Vuelva a insertar el rodillo suave en el frente de la boquilla de piso hasta que encaje firmemente en su sitio.

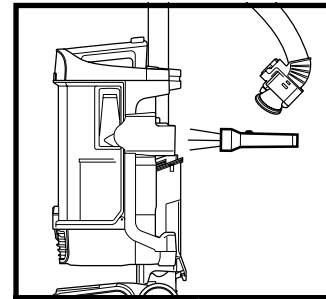
#### MANTENIMIENTO DEL CABLE



Para minimizar el riesgo de daño al cable de alimentación, **NO** pase la aspiradora sobre el cable de alimentación. Si esto ocurre, apague inmediatamente la aspiradora y libere el cable del cepillo giratorio o de la boquilla de piso.

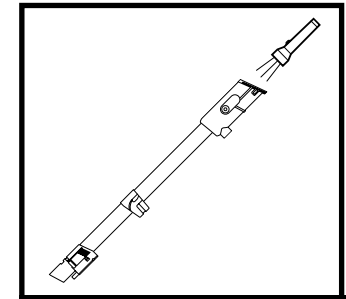
1. **NO** tire del cable ni lo use para cargar la aspiradora o como si fuera un mango.
2. **NO** desenchufe la aspiradora tirando del cable. Sujete el enchufe, no el cable.
3. **NO** cierre la puerta sobre el cable.
4. **NO** tire del cable alrededor de esquinas filosas.
5. **NO** deje el cable cerca de superficies calientes.

## CÓMO VERIFICAR SI HAY OBSTRUCCIONES



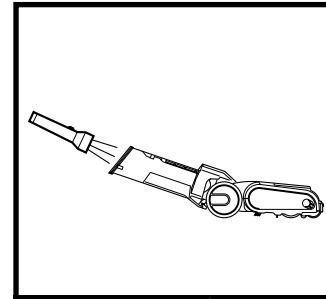
OBSTRUCCIÓN DE LA MANGUERA

Desacople la manguera del receptáculo de la aspiradora y verifique si hay obstrucciones en la manguera y en el orificio en la parte trasera del receptáculo.



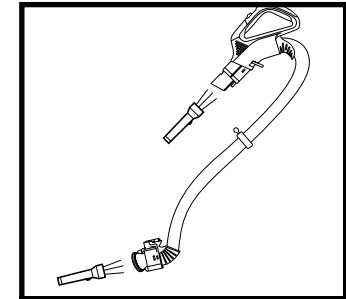
OBSTRUCCIÓN DEL VÁSTAGO

Desacople el vástago de la boquilla de piso y el mango, y verifique los dos extremos para ver si hay obstrucciones.



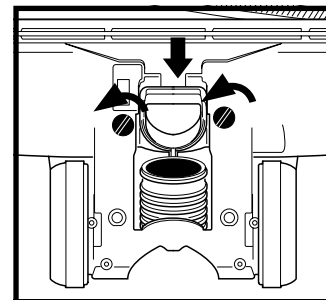
OBSTRUCCIÓN DEL RECEPTÁCULO

Desacople el vástago de la boquilla de piso, incline la parte trasera de la boquilla de piso y verifique si hay obstrucciones en el orificio.



OBSTRUCCIÓN DEL MANGO O LA MANGUERA

Desacople el mango del vástago y la manguera del receptáculo de la aspiradora, y verifique si hay obstrucciones en los orificios.



OBSTRUCCIÓN DE LA MANGUERA DE LA BOQUILLA DE PISO

Para acceder a la manguera de la boquilla, abra los seguros que se encuentran en la parte inferior de la boquilla. Con una moneda, gire las trabas en sentido antihorario, luego levante la tapa y elimine cualquier obstrucción.

## ACCESORIOS DISPONIBLES

### A Herramienta para grietas

Esta herramienta delgada ofrece mayor alcance para acceder a esquinas, zócalos, espacios estrechos y techo.

### B Herramienta para tapicería

Recolecta pelo, polvo y desechos grandes de colchones, sofás, cortinas, pantallas de lámparas y otras superficies delicadas y tapizadas.

### C Herramienta múltiple para mascotas

Una sola herramienta convertible para limpiar la suciedad difícil de mascotas de dos maneras: use el cepillo de cerda dura para limpiar la suciedad pegada o retire las cerdas para encontrar una herramienta perfecta para tapicería que elimina el pelo adherido de mascotas y grandes cantidades de escombros.

### D Herramienta para grietas quitapolvo

Dos herramientas de limpieza en una. La herramienta para grietas ofrece alcance extendido para limpiar espacios reducidos, mientras que el cepillo suave es ideal para eliminar polvo de superficies delicadas.

### E Cepillo para mascotas

El cepillo de turbina desprende y elimina pelos y escombros de mascotas de alfombras, y limpia profundamente la caspa de origen animal de muebles tapizados y otras superficies.

### F Vástago para usar debajo de electrodomésticos

Limpie debajo y detrás de los electrodomésticos y muebles que son difíciles de mover con esta herramienta ajustable de 91 cm (36 pulg.). Voltee la pieza de extensión para limpiar la parte inferior de los electrodomésticos.

### G Cepillo quitapolvo antialérgeno

Este cepillo tiene cerdas de fibra de nailon específicamente diseñadas para eliminar polvo fino y partículas de alérgenos de la mayoría de las superficies delicadas.

### H Cepillo motorizado de autolimpieza para mascotas

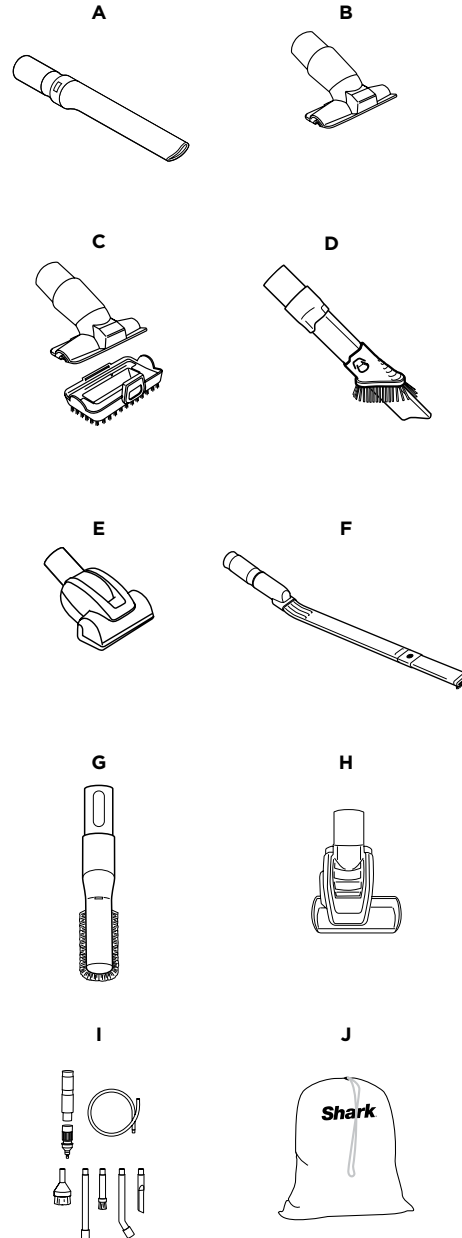
Recoge pelo de mascotas y suciedad de áreas por encima del piso, como escaleras alfombradas y tapicería, a la vez que elimina el pelo enredado en forma activa mientras limpia.

### I Kit para limpieza del hogar y el automóvil

Limpie de forma profunda su automóvil tal como lo hace un servicio de lavado de autos profesional, o limpie los rincones de difícil acceso de su hogar. Las herramientas diminutas le permiten limpiar alrededor de objetos delicados y llegar a los lugares más reducidos, como las salidas de ventilación del automóvil y los teclados de las computadoras.

### J Bolsa para accesorios

Esta práctica bolsa para guardar accesorios mide 32 cm x 70 cm y se adapta al tubo de extensión. Hay un tamaño más pequeño disponible en [sharkaccessories.com](http://sharkaccessories.com).



**NOTA:** No se incluyen todos los accesorios en todas las unidades. Para ver la lista de accesorios incluidos con este modelo, consulte la solapa interior superior de la caja. Para solicitar accesorios adicionales, visite [sharkaccessories.com](http://sharkaccessories.com).

## SOLUCIÓN DE PROBLEMAS

### Cable de alimentación atrapado en el cepillo giratorio o la boquilla de piso.

- Para minimizar el riesgo de daño al cable de alimentación, NO pase la aspiradora sobre el cable de alimentación. Si esto ocurre, apague inmediatamente la aspiradora y libere el cable del cepillo giratorio o de la boquilla de piso.
- Antes de usar, inspeccione el cable de alimentación y el enchufe para asegurarse de que no estén dañados. NO use la aspiradora si el cable o el enchufe están dañados. Apague todos los controles antes de enchufar o desenchufar la aspiradora. Guarde la aspiradora con el cable de alimentación asegurado alrededor de los dos ganchos para el cable.

### La aspiradora no recolecta escombros. No hay succión o hay poca succión.

- Revise los filtros para determinar si necesitan limpieza. Siga las instrucciones para enjuagar y secar los filtros al aire antes de volver a instalarlos.
- El recipiente para el polvo puede estar lleno; vacíe el recipiente para el polvo.
- Revise la manguera, las conexiones de la manguera, la boquilla de piso, el vástago y el receptáculo, así como los accesorios, para ver si hay obstrucciones. Limpie cualquier obstrucción que encuentre. Consulte la sección "Cómo verificar si hay obstrucciones" para obtener más información.
- Si hay mechones de pelo, hilos o fibras de alfombra enredados en el cepillo giratorio, extienda el tiempo de limpieza para permitir que el cepillo giratorio de autolimpieza los quite. Si aún quedan pelos o fibras enredados en el cepillo giratorio después del uso constante, retírelos con cuidado. Consulte la sección Cómo limpiar el cepillo giratorio para obtener más información.

### La aspiradora levanta los tapetes.

- Asegúrese de que el interruptor selector de superficie esté configurado en Limpieza de alfombras gruesas y alfombras de área.
- La succión es potente. Tenga cuidado cuando aspire tapetes con bordes cosidos y delicados.

### Los cepillos giratorios no giran.

- Si se enciende en rojo la luz indicadora del cepillo giratorio, apague la aspiradora de inmediato y desenchúfela. Retire el receptáculo y el vástago de la boquilla del piso y elimine cualquier obstrucción. Vuelva a conectar la boquilla, conecte la aspiradora y encienda la alimentación.
- Con la aspiradora encendida, recline el mango para encender automáticamente los cepillos giratorios.

### La aspiradora se apaga por sí sola o la luz indicadora parpadea en rojo.

Si la aspiradora se sobrecalienta, el termostato apagará el motor automáticamente. Siga estos pasos para reiniciar:

1. Apague y desenchufe la aspiradora.
2. Vacíe el recipiente para el polvo y limpie los filtros. Consulte las secciones Cómo vaciar el recipiente para el polvo y Limpieza de los filtros para obtener más información.
3. Verifique si hay obstrucciones en la manguera, el vástago, la boquilla de piso, los accesorios o los orificios de entrada.
4. Permita que la unidad se enfríe durante un mínimo de 60 minutos.
5. Enchufe la aspiradora y enciéndala.

Para todos los demás problemas, llame al Servicio al Cliente al 1-800-798-7398.



## GARANTÍA LIMITADA DE CINCO (5) AÑOS

La garantía limitada de cinco (5) años se aplica a las compras realizadas en tiendas autorizadas de **SharkNinja Operating LLC**. La cobertura de la garantía se aplica solo al propietario original y al producto original y no es transferible.

SharkNinja garantiza que la unidad estará libre de defectos en materiales y mano de obra por un período de cinco (5) años a partir de la fecha de compra, cuando se usa bajo las condiciones normales del hogar y se mantiene de acuerdo con los requisitos descritos en la guía del usuario, sujeto a las siguientes condiciones y exclusiones:

### ¿Qué cubre esta garantía?

1. La unidad original o las piezas que no sean de desgaste que se consideren defectuosas, a discreción exclusiva de SharkNinja, serán reparadas o reemplazadas hasta cinco (5) años a partir de la fecha de compra original.
2. En el caso de que se emita una unidad de reemplazo, la cobertura de la garantía finaliza seis (6) meses después de la fecha de recepción de la unidad de reemplazo o el resto de la garantía existente, la que sea más tardía. SharkNinja se reserva el derecho de reemplazar la unidad con una de igual o mayor valor.

### ¿Qué es lo que no cubre la garantía?

1. El desgaste normal de las piezas consumibles (como filtros de espuma, filtros HEPA, almohadillas, etc.), que requieren un mantenimiento regular o un reemplazo para garantizar el correcto funcionamiento de su unidad, no está cubierto por esta garantía. Las piezas de repuesto están disponibles para su compra en [sharkaccessories.com](http://sharkaccessories.com).
2. Cualquier unidad que haya sido manipulada o utilizada con fines comerciales.
3. Daños causados por el mal uso (por ejemplo, aspirar agua u otros líquidos), abuso, manejo negligente, no realizar el mantenimiento requerido (p. ej., no limpiar los filtros) o daños debido a un mal manejo en tránsito.
4. Daños consecuenciales e incidentales.
5. Defectos causados por personas que hacen reparaciones que no están autorizadas por SharkNinja. Estos defectos incluyen los daños causados en el proceso de envío, modificación o reparación del producto SharkNinja (o cualquiera de sus partes) cuando la reparación es realizada por una persona que hace reparaciones y que no está autorizada por SharkNinja.
6. Productos comprados, usados u operados fuera de América del Norte.

### Cómo obtener servicio

Si su electrodoméstico no funciona correctamente mientras está en uso bajo las condiciones normales del hogar dentro del período de garantía, visite [sharkclean.com/support](http://sharkclean.com/support) para obtener autoayuda de mantenimiento y cuidado del producto. Nuestros especialistas en servicio al cliente también están disponibles en el **1-800-798-7398** para ayudarlo con el soporte de productos y las opciones de servicio de garantía, incluyendo la posibilidad de actualizar nuestras opciones de servicio de garantía VIP para categorías de productos selectas. Para que podamos asistirlo de una manera más eficiente, registre su producto en línea en [registeryourshark.com](http://registeryourshark.com) y tenga el producto a la mano cuando llame.

SharkNinja cubrirá el costo para que el cliente nos envíe la unidad para su reparación o reemplazo. Se cobrará una tarifa de \$25.95 (sujeta a cambio) cuando SharkNinja envíe la unidad reparada o de reemplazo.

### Cómo iniciar un reclamo de garantía

Debe llamar al **1-800-798-7398** para iniciar un reclamo de garantía. Necesitará el recibo como comprobante de compra. También le pedimos que registre su producto en línea en [registeryourshark.com](http://registeryourshark.com) y que tenga el producto a mano cuando llame, para que podamos asistirlo mejor. Un especialista en servicio al cliente le proporcionará información sobre instrucciones de devolución y embalaje.

### Cómo se aplica la ley estatal

Esta garantía le otorga derechos legales específicos, y usted también puede tener otros derechos que varían de un estado a otro. Algunos estados no permiten la exclusión o limitación de daños incidentales o consecuentes, por lo que es posible que lo anterior no aplique a usted.

### REGISTRE SU COMPRA



[registeryourshark.com](http://registeryourshark.com)



Escanee el código QR con un dispositivo móvil.



Beneficios de registrar su producto y crear una cuenta:

- Obtenga asistencia con el producto con más facilidad y rapidez, y acceda a información de la garantía.
- Acceda a solución de problemas e instrucciones de cuidado del producto.
- Sea uno de los primeros en recibir promociones exclusivas de productos.

**SUGERENCIA:** Puede encontrar los números de modelo y de serie en la etiqueta del código QR en la base de la parte posterior del receptáculo de la aspiradora.

### REGISTRE ESTA INFORMACIÓN

Número de modelo: \_\_\_\_\_

Número de serie: \_\_\_\_\_

Fecha de compra: \_\_\_\_\_  
(Conserve el recibo)

Tienda donde la adquirió: \_\_\_\_\_

### ESPECIFICACIONES TÉCNICAS

Voltaje: 120 V~, 60 Hz

Vatios: 940W



NOTES

---

---

---

---

---

---

---

---

---

---

---

---

---

---

---

---

---

---

---

---

---

---

---

NOTAS

---

---

---

---

---

---

---

---

---

---

---

---

---

---

---

---

---

---

---

---

---

---

---



## **PLEASE READ CAREFULLY AND KEEP FOR FUTURE REFERENCE.**

This Owner's Guide is designed to help you get a complete understanding of your new Shark® Vertex™ DuoClean® PowerFins™ Powered Lift-Away® with Self-Cleaning Brushroll Upright Vacuum.

SharkNinja Operating LLC  
US: Needham, MA 02494  
CAN: Ville St-Laurent, QC H4S 1A7  
1-800-798-7398  
sharkclean.com

Illustrations may differ from actual product. We are constantly striving to improve our products; therefore the specifications contained herein are subject to change without notice.

This product may be covered by one or more U.S. patents. See [sharkninja.com/patents](http://sharkninja.com/patents) for more information.

## **VEUILLEZ LIRE ATTENTIVEMENT LE PRÉSENT MODE D'EMPLOI ET LE CONSERVER À TITRE INFORMATIF.**

Ce guide de l'utilisateur a été conçu pour vous aider à acquérir une compréhension approfondie de votre nouvel aspirateur vertical Shark® Vertex™ DuoClean® PowerFins™ Powered Lift-Away® avec brosse rotative autonettoyante.

SharkNinja Operating LLC  
États-Unis : Needham, MA 02494  
Canada : Saint-Laurent (Québec) H4S 1A7  
1 800 798-7398  
sharkclean.com

Les illustrations peuvent différer du produit réel. Nous tentons constamment d'améliorer nos produits; par conséquent, les caractéristiques indiquées dans le présent guide peuvent être modifiées sans préavis. Ce produit peut être couvert par un ou plusieurs brevets américains. Voir [sharkninja.com/patents](http://sharkninja.com/patents) pour plus d'informations.

## **LEA ATENTAMENTE Y GUARDE COMO REFERENCIA PARA EL FUTURO.**

Esta guía de usuario está diseñada para ayudarle a entender completamente su nueva aspiradora vertical con cepillo giratorio de autolimpieza Shark® Vertex™ Estabilizadores de potencia DuoClean® PowerFins™ Powered Lift-Away®.

SharkNinja Operating LLC  
EE. UU.: Needham, MA 02494  
CAN: Ville St-Laurent, QC H4S 1A7  
1-800-798-7398  
sharkclean.com

Las ilustraciones pueden diferir del producto real. Nos esforzamos constantemente para mejorar nuestros productos, por lo tanto, las especificaciones contenidas en este documento están sujetas a cambios sin previo aviso.

Este producto puede estar cubierto por una o más patentes de EE. UU. Visita [sharkninja.com/patents](http://sharkninja.com/patents) para obtener más información.

---

© 2021 SharkNinja Operating LLC. DUOCLEAN, LIFT-AWAY, POWERED LIFT-AWAY, and SHARK are registered trademarks of SharkNinja Operating LLC. POWERFINS and VERTEX are trademarks of SharkNinja Operating LLC.

© SharkNinja Operating LLC, 2021. DUOCLEAN, LIFT-AWAY, POWERED LIFT-AWAY, et SHARK sont des marques de commerce déposées de SharkNinja Operating LLC. POWERFINS et VERTEX sont des marques déposées de SharkNinja Operating, LLC.

© 2021 SharkNinja Operating LLC. DUOCLEAN, LIFT-AWAY, POWERED LIFT-AWAY, y SHARK son marcas comerciales registradas de SharkNinja Operating LLC. POWERFINS y VERTEX son marcas comerciales de SharkNinja Operating, LLC.