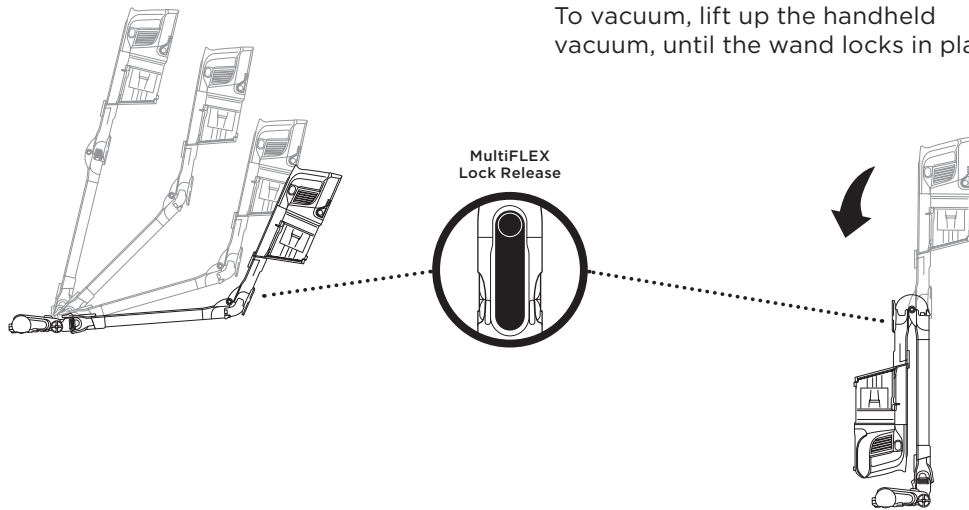


MULTIFLEX™ REACH

Press the MultiFLEX Lock Release button to lower the angle of the wand to increase your reach.



MULTIFLEX STORAGE

To store, press the MultiFLEX Lock Release button and fold the handheld vacuum forward.

To vacuum, lift up the handheld vacuum, until the wand locks in place.

Please make sure to read the enclosed Shark® Owner's Guide prior to using your vacuum.

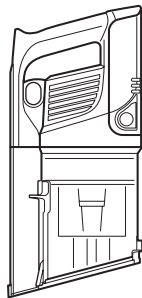
Shark® ROCKET® PRO

CORDLESS VACUUM



EMPTYING THE DUST CUP

1. To empty the dust cup, first disconnect the handheld vacuum from the wand by pressing the Wand Release button and pulling up on the handheld vacuum.



2. Position the dust cup over a trash bin and slide the CleanTouch™ Dirt Ejector forward.



QUICK START GUIDE

For questions, visit us online at sharkclean.com/support

Register your vacuum at registryourshark.com

Shark



@sharkcleaning

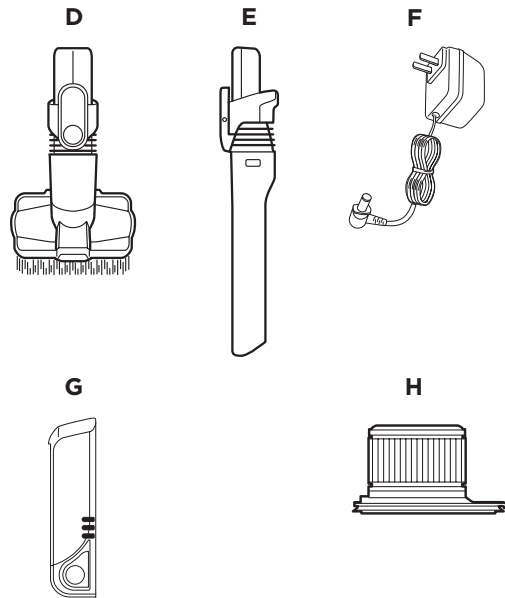
© 2020 SharkNinja Operating LLC. SHARK and ROCKET are registered trademarks of SharkNinja Operating LLC. CLEAN TOUCH, DIRT ENGAGE, and MULTIFLEX are trademarks of SharkNinja Operating LLC.

QZ162HQ_QSG_REV_Mv2

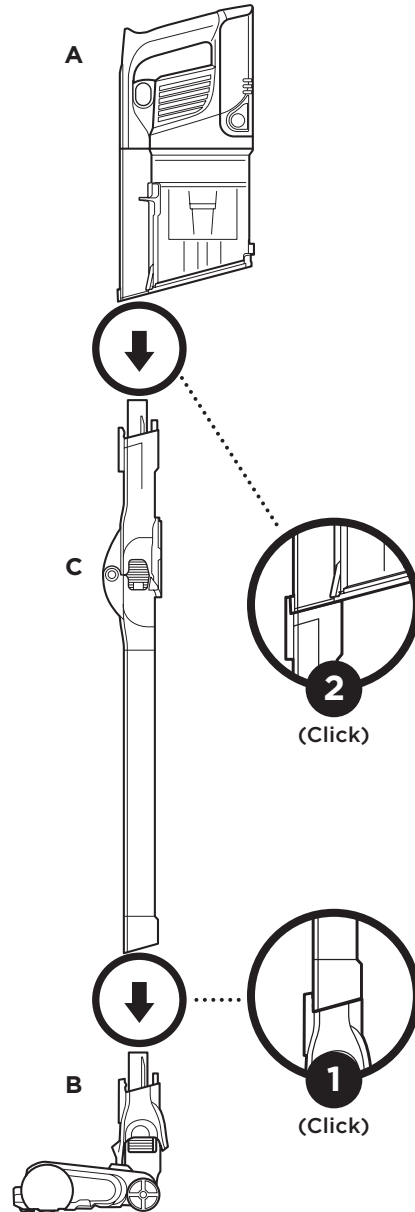
QZ162HQ

WHAT'S INSIDE:

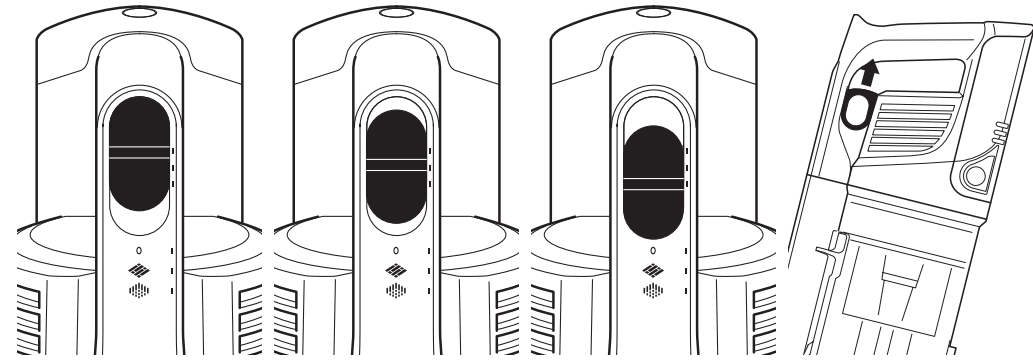
- A Handheld Vacuum
- B Dirt Engage™ Floor Nozzle
- C MultiFLEX® Wand
- D Pet Multi-Tool
- E 8" Crevice Tool
- F Charger
- G Li-Ion Battery (Pre-Installed)
- H HEPA Post-Motor Filter (Pre-Installed)



ASSEMBLY



POWER SETTINGS



OFF

Slide switch to the top to turn off power. To begin vacuuming in **Standard Mode**, slide switch to the appropriate setting.

BARE FLOOR SETTING

Bare Floor/Area Rugs
Slide switch to the middle. The brushroll spins slowly to clean bare floors and small area rugs.

CARPET SETTING

Carpet
Slide switch to the bottom. The brushroll spins faster to pick up debris below the surface of your carpets.

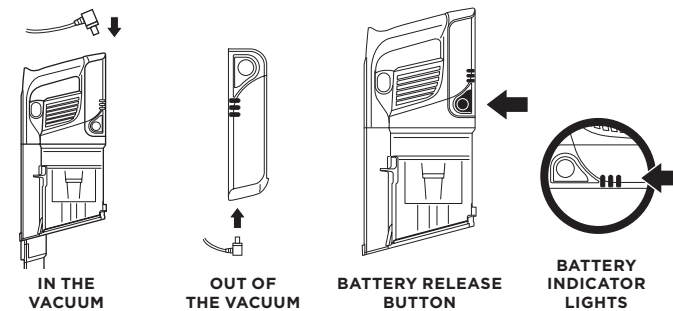
BOOST MODE

For an added boost in power, pull the **Trigger** on the handheld vacuum. Release it to return to standard power.

NOTE: For deep cleaning per ASTM F 608 (embedded dirt in carpets) please select the Carpet setting and pull the trigger to go into Boost mode.

NOTE: Select Carpet setting for stuck-on dirt and debris.

CHARGING



Easily Insert or Remove the Li-Ion Battery

To insert, slide the Battery into the slot in the back of the handheld vacuum. To remove, press and hold the **Battery Release Button** then slide out the battery.

LI-ION BATTERY

In Use



Charging



NOTE: Full charge takes approximately 3 hours.

NOTE: The battery comes partially charged. Charge fully before first use.

Battery Runtime

MODE	MINUTES
Hand Vac	40
Bare Floor/ Standard Mode	25
Carpet Mode/ Standard Mode	20
Boost Mode (Hand Vac)	10

For complete maintenance instructions, see the enclosed Owner's Guide.

For additional parts and accessories, visit sharkaccessories.com.

For additional batteries and charging accessories, visit sharkclean.com/batteries.