

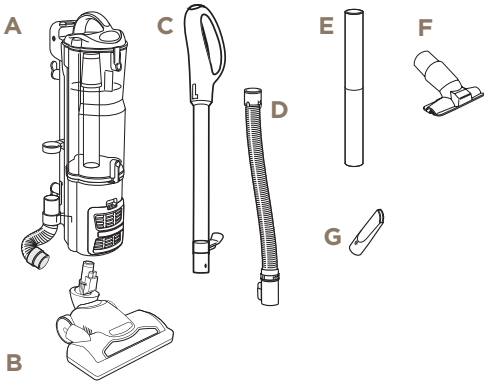
Please be sure to read the enclosed Shark® Owner's Guide prior to using your unit.

Shark Navigator™ DLX

QUICK START GUIDE

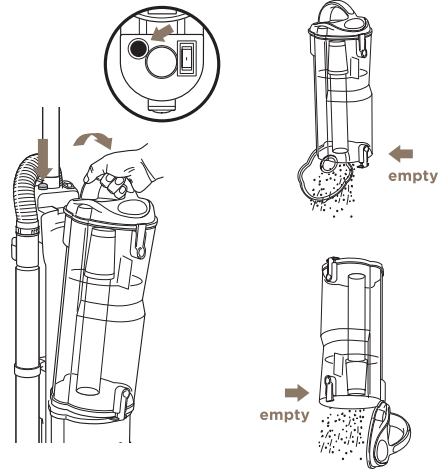
WHAT'S INSIDE

- A Vacuum Pod
- B Motorized Floor Nozzle
- C Handle Assembly
- D Flexible Hose
- E Extension Wand
- F Upholstery Tool
- G 5.5" Crevice Tool

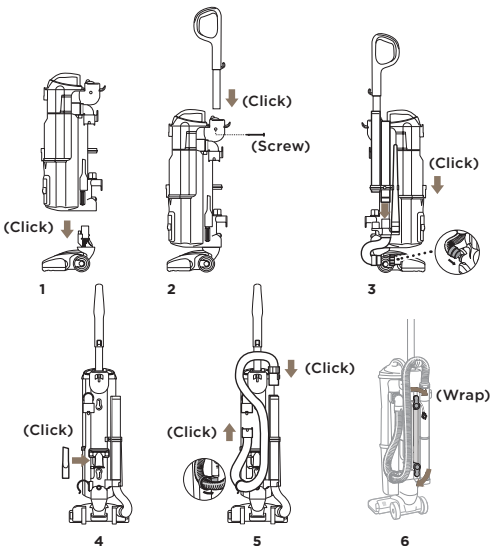


EMPTYING THE DUST CUP

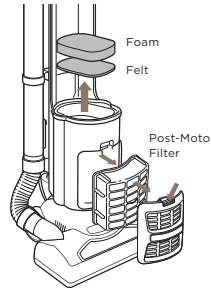
Empty the dust cup after each use.



ASSEMBLY



MAINTENANCE



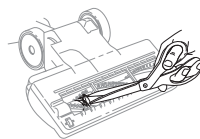
Wash foam and felt filters every 3 months and the post-motor filter once a year to keep the suction strong.

Rinse filters with water only and allow to air-dry completely. Tap loose dirt from filters as needed between washes.

Cleaning the Brushroll

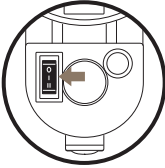
- 1 Detach the pod from the floor nozzle.
- 2 Remove any blockages or buildup from the airways in the nozzle.

Carefully cut away any fibers, hair, or string wrapped around the brushroll. Avoid damaging or cutting the bristles.



2 WAYS TO CLEAN

FLOOR CLEANING

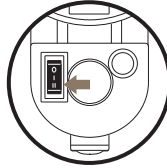


1

SETTING I

For cleaning bare floors or with accessories.

OR

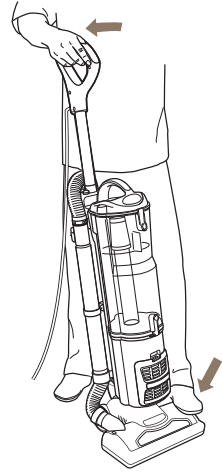


2

SETTING II

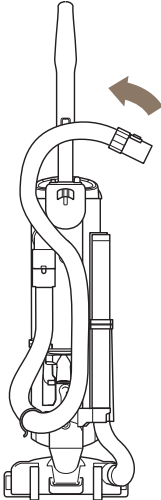
For carpet cleaning with brushroll.

3



To activate brushroll, step on floor nozzle and tilt handle back.

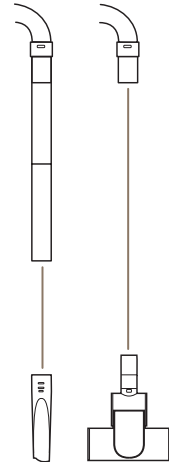
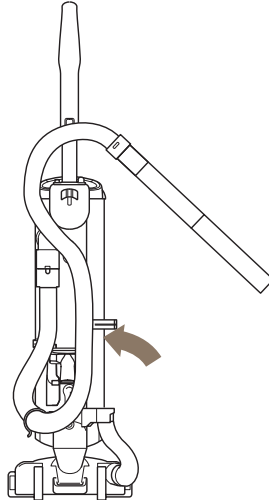
ABOVE-FLOOR CLEANING



1

To clean above-floor areas, remove the hose from the wand. Or for more reach, remove the wand from the pod.

OR



2

Attach desired cleaning tool to hose or wand.

For additional parts and accessories, visit sharkaccessories.com

For questions or to register your product, visit us online at sharkclean.com



@sharkcleaning

©2019 SharkNinja Operating LLC.