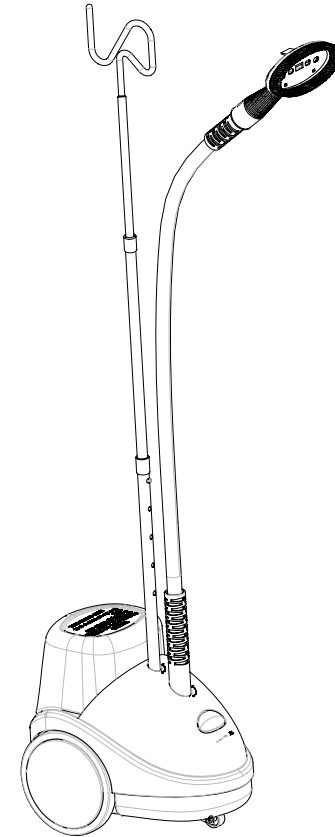


OWNER'S MANUAL

EURO-PRO 
Garment Steamer
Model SC620



EURO-PRO Operating LLC
94 Main Mill Street, Door 16
Plattsburgh, NY 12901
1-800-798-7398
www.euro-pro.com

IMPORTANT SAFETY INSTRUCTIONS

When using your **EURO-PRO Garment Steamer**, basic safety precautions should always be observed, including the following:

1. Read all instructions before using your Garment Steamer.
2. Use the system only for its intended use.
3. To protect against a risk of electric shock, do not immerse any part of the system in water or other liquids.
4. Never yank cord to disconnect from outlet; instead, grasp plug and pull to disconnect.
5. **Do not** allow cord to touch hot surfaces. Let the system cool completely before putting away or opening water tank (removing the safety cap). Wrap cord loosely around system when storing.
6. Always disconnect system from electrical outlet when filling with water or emptying and when not in use. Always turn the safety cap slowly when opening the water tank . This will allow any remaining steam to escape gradually.
7. **Do not** operate the system with a damaged cord or plug, or if the appliance or any other part of the system has been dropped or damaged. To avoid the risk of electric shock, do not disassemble or attempt to repair the Garment Steamer. Return the system to **EURO-PRO Operating LLC** (see warranty) for examination and repair. Incorrect re-assembly or repair can cause a risk of electrical shock or injury to persons when the Garment Steamer is used.
8. Close supervision is necessary for any appliance being used by or near children. Do not leave the system unattended while connected.
9. Burns can occur from touching hot metal parts, hot water or steam. Use caution when draining unit after use as there may be hot water in the unit. Never direct steam at any person. The steam is very hot and can cause burns.
10. **Do not** operate in the presence of explosive and/or flammable fumes.
11. This appliance is intended only for household use. Follow all user instructions in this manual.
12. Never use any chemicals or substance other than tap water in the machine. Use of chemicals may damage the machine. Use of chemicals will automatically void your warranty.
13. **Be careful.** Burns can occur from touching **HOT METAL PARTS, HOT WATER OR STEAM.**

- To reduce the risk of fire, electric shock, or injury:**
- **Do not** leave the Garment Steamer plugged in when unattended. Unplug the electrical cord when not in use and before servicing or refilling water tank.
 - **Do not** allow to be used as a toy. Close attention is necessary when used by or near children, pets or plants.
 - Use only as described in this manual. Use only manufacturer's recommended accessories.
 - **Do not** pull cord, use cord as a handle, close a door on cord, or pull cord around sharp edges or corners. Keep cord away from heated surfaces.
 - **Do not** use extension cords or outlets with inadequate current carrying capacity.
 - Turn off all controls as applicable before unplugging from electrical outlet.
 - **Do not** unplug by pulling on cord. To unplug, grasp the plug, not the cord.
 - **Do not** handle plug or steam cleaner with wet hands or operate without shoes.
 - **Do not** put any objects into openings. Do not use with any opening blocked.
 - Store your appliance indoors in a cool, dry area.
 - Keep your work area well lit.
 - **When in use, never turn the appliance over or on its side. Never direct steam towards people, animals or plants.**
 - **Do not** immerse the steam cleaner into water or other liquids. Always unplug the power cord from the electrical socket when filling the steam cleaner.
 - **Do NOT add cleaning solutions, scented perfumes, oils or any other chemicals to the water used in this appliance as this may damage the unit or make it unsafe for use.** Use tap water or distilled/purified water if the tap water in your area is very hard.
 - **Always** allow the appliance to cool completely for at least 30 minutes before storing.
 - Only hang the steamer hose on the supplied hanger rod.
 - **Always** disconnect the unit from electrical outlet before filling with or removing water. Be careful to **AVOID** spilling excess water into the reservoir when removing or placing the reservoir bottle into the reservoir.

Model SC620



1 YEAR LIMITED WARRANTY

EURO-PRO Operating LLC warrants this product to be free from defects in material and workmanship for a period of one (1) year from the date of purchase when utilized for normal household use by the original purchaser only. The attached Warranty Registration Card must be filled out and returned within 10 days of purchase. This is essential for your Warranty to be effective should any problem arise with this product.

Should any defect covered by the terms of the limited warranty be discovered within one year, **EURO-PRO** Operating LLC will repair or replace any defective part provided the unit is returned by the original purchaser, freight prepaid, to **EURO-PRO** Operating LLC, 94 Main Mill Street, Door 16, Plattsburgh, NY 12901. Proof of purchase date and \$ 14.95 for handling and return packing/shipping charges must be included.*

The liability of **EURO-PRO** Operating LLC is limited solely to the cost of the replacement parts or the complete unit at our option. **LABOUR CHARGES ARE NOT INCLUDED.**

This warranty does not cover normal wear of parts and does not apply to any unit that has been tampered with or used for commercial purposes. This Limited Warranty does not cover damage caused by misuse, negligent handling, or damage due to faulty packaging or mishandling in transit (by any common carrier).

This warranty is extended to the original purchaser of the unit and excludes all other legal and/or conventional warranties. The responsibility of **EURO-PRO** Operating LLC, if any, is limited to the specific obligations expressly assumed by it under the terms of the limited warranty. In no event is **EURO-PRO** Operating LLC liable for incidental or consequential damages of any nature whatsoever. Some States do not permit the exclusion or limitation of incidental or consequential damages, so the above may not apply to you.

This warranty gives you specific legal rights which vary from state to state.

PURCHASER _____

DATE OF PURCHASE _____

DEALER _____

*important: Carefully pack item to avoid damage in shipping. Be sure to attach tag to item before packing with your name, complete address and phone number with note giving purchase information, model number and what you believe is the problem with item. We recommend you insure the package (as damage in shipping is not covered by your warranty). Mark the outside of your package "ATTENTION CUSTOMER SERVICE".



OWNERSHIP REGISTRATION CARD

Please complete and return within ten (10) days of purchase. The registration will enable us to contact you in the event a product defect is discovered. By returning this card you acknowledge to have read and understood the instructions for use, and warnings set forth in the accompanying instructions.

RETURN TO: **EURO-PRO Operating LLC**, 94 Main Mill Street, Door 16, Plattsburgh, NY, 12901

PURCHASER:

ADDRESS:

CITY: STATE:.....

DATE OF PURCHASE: MODEL: **SC620**.....

NAME AND ADDRESS OF DEALER:

Printed in China

SAVE THESE INSTRUCTIONS
For Household Use Only

IMPORTANT NOTES DURING OPERATION

If steamer hose gurgles during use:

- This is a normal result of condensation collecting inside the hose. Simply lift the steam diffuser/handgrip upward until the hose is extended to its full height.
- The gurgling will disappear when the excess moisture inside the hose has had a chance to drain back into the base.

If the steamer stops producing steam then starts again:

- You may wish to examine the inside of the reservoir. The most common reason for this effect is the accumulation of sediment from mineral laden water.
- Clean the sediment from inside the water reservoir following the instructions on page 8.

TROUBLE SHOOTING

Below is a chart detailing the most common problems, their causes and solutions.

PROBLEM	CAUSE	SOLUTION
Steamer Does Not Get Hot	<ol style="list-style-type: none"> 1. Steamer is not plugged into electrical outlet. 2. The water tank is empty and the reservoir has drained. 	<ol style="list-style-type: none"> 1. Plug power cord into electrical outlet. 2. Refill water tank following instructions on page 7.
No Steam	<ol style="list-style-type: none"> 1. Water level is too low. 	<ol style="list-style-type: none"> 1. Refill the water tank following instructions on page 7.
Water Drips From The Steam Diffuser	<ol style="list-style-type: none"> 1. Condensation has formed inside the steamer hose. 	<ol style="list-style-type: none"> 1. Hold the steamer hose upright fully extended and allow excess moisture to drain back in the water reservoir.

ADDITIONAL IMPORTANT SAFEGUARDS cont.

1. To avoid circuit overload, **do not** operate another appliance on the same socket (circuit)
2. If an extension cord is absolutely necessary, a 15 ampere 14 gage cord should be used. Cords rated for less amperage may overheat. Care should be taken to arrange cord so that it cannot be pulled or tripped over.
3. **Do not** leave unattended when the system is connected to a power supply/electrical outlet.

SAVE THESE INSTRUCTIONS FOR HOUSEHOLD USE ONLY

WARNING: To reduce the risk of electric shock, this appliance has a polarized plug (one blade is wider than the other). This plug will fit in a polarized outlet only one way. If the plug does not fit fully in the outlet, reverse the plug. If it still does not fit, contact a qualified electrician to install the proper outlet. Do not modify the plug in any way.

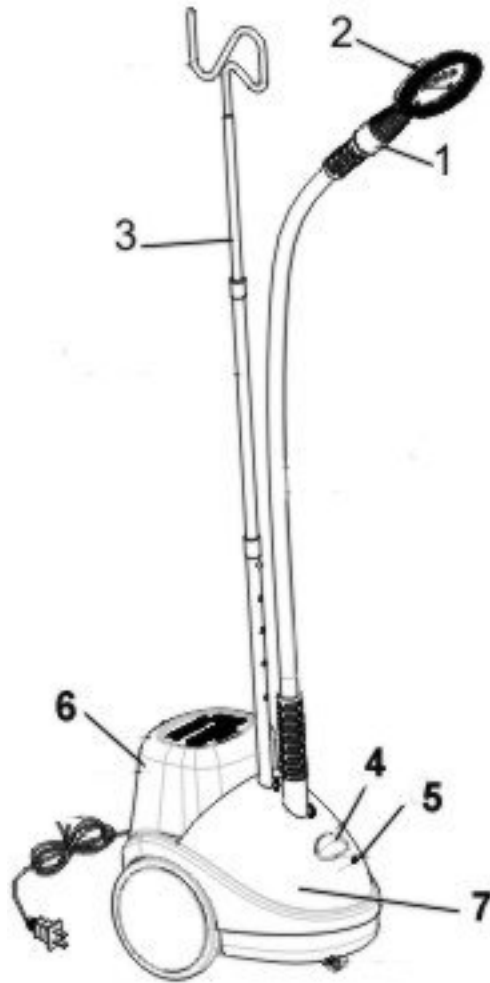
CAUTION: Hose can become hot during use. NEVER hold, pull or relocate unit by the hose while in use. When you need to move the steamer, hold by the garment rod. Hold the steamer head by the handgrip and never by the hose.

FEATURES OF YOUR GARMENT STEAMER

1. The steam diffuser/handgrip at the end of the steamer hose is located just behind the garment brush. By grasping the steam diffuser/handgrip you can aim the direction of the steam released from the nozzle.

Caution: The steam hose becomes hot during use. Never hold, pull or move unit by the hose while in use.

2. The garment brush with its small openings is located at the end of the steamer hose. Always place the nozzle end of the hose on the garment hanger when not in use. Keep the nozzle pointed upwards and steam will rise from the openings. Try not to point the nozzle downwards, water may condense in the hose during idle periods and drip from the nozzle.
3. The garment rod has a convenient hook shaped end for resting the nozzle end of the hose. It can be extended and retracted by adjusting the telescopic rod in its sleeve.
4. The On/Off switch button can be foot activated to turn the power "ON" or "OFF".
5. The ready light (green) comes on when the unit is turned "ON".
6. The water tank is removable for easy filling and is see through for easy monitoring of the water level. The screw cap is fitted with a one way valve to ensure drip free replacement of the water tank when refilling.
7. The Garment Steamer base houses the reservoir, water tank, hose attachment and adjustable garment rod.



OPERATING INSTRUCTIONS cont.

Step 3: Using Garment Steamer cont.

4. Once steam is being released from the steam diffuser with the garment brush attached, hold the handgrip with the nozzle facing upward and begin steaming from the bottom of the garment allowing the escaping steam to rise inside and out side removing the wrinkles. (See fig. 10)
5. After a few seconds, remove the steam diffuser from the garment and smooth the garment with your free hand and check to see if more steam is required.

Note: Do **NOT** leave the steam diffuser in one area for a long period of time because the garment will get wet.

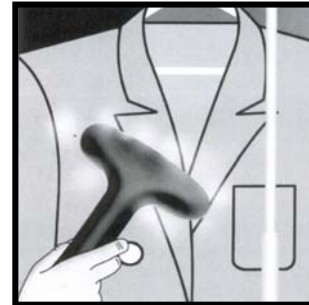


Fig. 10

Important: For heavier fabrics, you may need to use repeated applications. Avoid heating a single area with steam for a prolonged period. Check the garment to see that the process is succeeding.

Step 4: Maintenance & Storage

1. Turn the unit "Off". The power on light (green) will go out. Disconnect the plug from the electrical outlet.
2. Wait for garment steamer to cool down completely for at least 30 minutes before draining the water tank.

3. After the unit has cooled down, remove the water tank and empty the water remaining in the water tank in a sink. Rinse the water tank and set aside to dry.
4. Disconnect the steamer hose from the unit and set aside.
5. Disconnect the garment rod entirely from the unit.
6. Lift the unit over a sink and empty what water has remained in the water reservoir. Wash the interior of the reservoir by flushing with some tap water. This will dislodge any sediment that has accumulated. Drain this water from the reservoir and dry.
7. Reattach the garment rod and steamer hose or store separately.
8. Once the unit has dried, you may store in a cool, dry place.

Important: If you wish to leave your steamer ready for use on a daily basis, simply leave the water bottle filled and in place. While you do not have to empty the water bottle each day, you should periodically empty the old water out of the steamer and remove any sediment that has accumulated. We recommend that you empty and clean it once a month depending on amount of use and water mineral content in your area.

Safety Thermostat

Should your unit run out of water, the safety thermostat will trip in order to prevent damage to the unit. To reset, unplug unit, refill water tank, re-plug unit into wall outlet and depress On/Off switch. This will reset the thermal protector circuit.

OPERATING INSTRUCTIONS cont.

Preparing Garment Steamer for Use

CAUTION: Before filling the water tank, check to make sure that the water tank sits securely in the unit before proceeding.

Step 1: Preparing for Use

1. Unwind the power cord.
2. Check the wheels to see that they swivel and roll properly.
3. Set the unit on the floor and remove the water tank. Check for sediment or build-up in the base of the unit reservoir and water tank. Follow steps for cleaning and storing the unit if water was accidentally left in the water tank during storage of the unit on page 8.
4. Place the steamer hose with the nozzle end up on the garment hook. (See fig. 7)

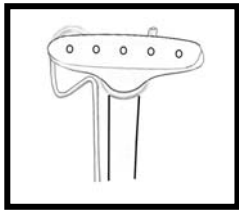


Fig. 7

5. Make sure that the hose is and unencumbered and that the unit rolls freely.

Step 2: Filling the Water Bottle

IMPORTANT: Do **NOT** add cleaning solutions, scented perfumes, oils or any other chemicals to the water used in this appliance. **Use tap water or distilled/purified water if the tap water in your area is very hard.**

1. Always make sure that the appliance is unplugged before filling the water bottle.
2. To open the cap on the water bottle, turn counterclockwise. Fill the water bottle with tap water or distilled/purified water if your tap water in your area is very hard. (See fig. 8)

3. After filling the water bottle, close the cap clockwise. (See fig. 8)

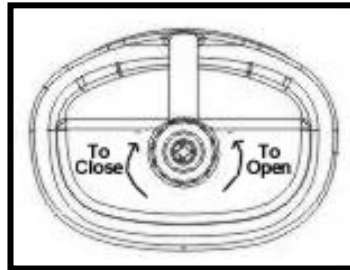


Fig. 8

4. Replace the water tank into the unit. (See fig. 9)

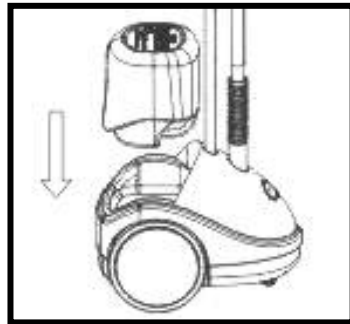


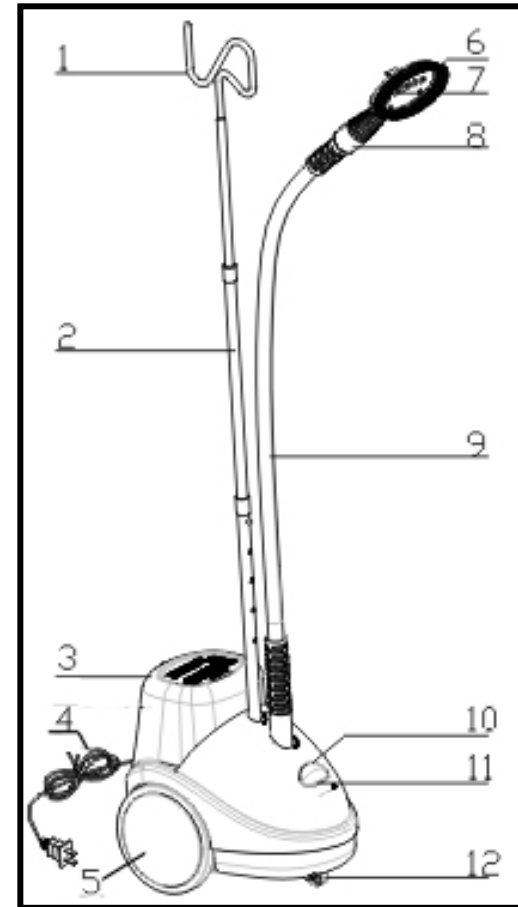
Fig. 9

Step 3: Using Garment Steamer

Note: It will make pressing easier if there are few creases in the laundry that needs pressing. To avoid excess creasing, shake each item out before placing in a drier or hanging to dry.

1. Always check that the On/Off switch is in the "Off" position.
2. Plug appliance into electrical outlet.
3. Push the "On/Off" switch to the "On" position. The power "On" light (green) will come on.

GETTING TO KNOW YOUR GARMENT STEAMER



- | | |
|-------------------------------|----------------------------|
| 1. Garment Hook | 7. Steamer Head |
| 2. Garment Rod Extensions (3) | 8. Steam Diffuser/Handgrip |
| 3. Water Tank | 9. Steamer Hose |
| 4. Power Cord | 10. On/Off Switch |
| 5. Wheels | 11. Power On Light (Green) |
| 6. Garment Brush | 12. Front Caster Wheel |

Technical Specifications

Voltage:	120V~ 60Hz.
Power:	1500 Watts
Water Capacity:	150 US Fl. Oz. (4.5 liters)
Max. Steam Temperature:	220°F

Components

Power "On" Light (green): This light will illuminate when the "ON" switch is depressed and the unit is turned on. It will remain on until the unit is turned "OFF" or until the water tank is emptied.

Caution: Always unplug before re-filling.

Important: Do **NOT** add cleaning solutions, scented perfumes, oils or any other chemicals to the water used in this appliance. **Use tap water or distilled/purified water if the tap water in your area is very hard.**

Assembling Your Garment Steamer

Step 1: Assembling Garment Rod

1. First attach the garment hook to the garment rod by screwing the garment hook (marked A) into the garment rod extension (marked B). (See fig. 1)

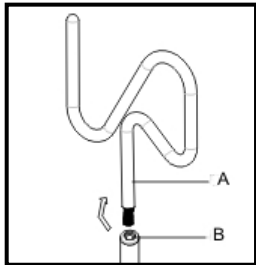


Fig. 1

2. To assemble the garment rod, insert one of the extensions into the other by depressing the button on the extension (marked C) so that you can insert into the other extension (marked D). Turn the extension until the button comes out of the opening and you hear a click. Repeat procedure for the other extension. (See fig. 2)

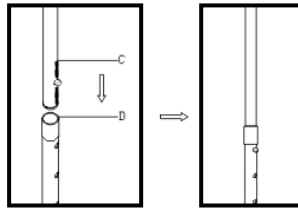


Fig. 2

3. Once you have assembled the garment rod, insert the bottom section of the rod (marked E) into the adapter hole in the upper housing of the unit (marked F) and turn 90° until it is locked in place. (See fig. 3)

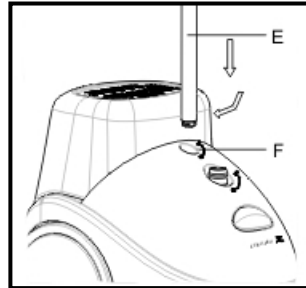


Fig. 3

Step 2: Assembling Steamer Hose

1. Insert end of steamer hose with the long tube bushing (marked A) into the adapter hole (marked B) on the unit. Rotate hose 90° to lock in place. (See fig. 4)

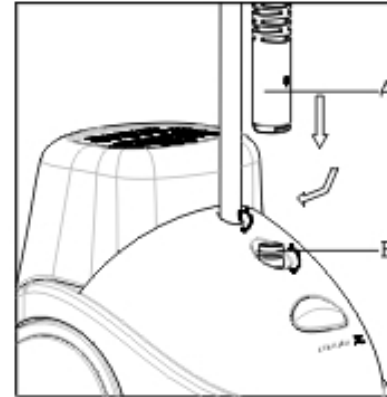


Fig. 4

2. To attach the steam diffuser, grasp steam diffuser in one hand and the hose in the other. Depress the locking button on the hose end until the locking button engages the hole in the steam diffuser. A slight rotation of the steam diffuser may help engage the locking button. (See fig. 5)

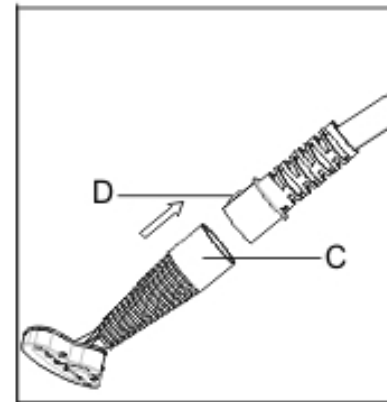


Fig. 5

3. To attach the garment brush (marked E) onto the diffuser (marked F), place the two hinges at the back of the garment brush (see fig. 6) into the two open tabs that are at the back of the steam diffuser. Swing the garment brush up against the bottom of the steam diffuser until the locking tab engages.

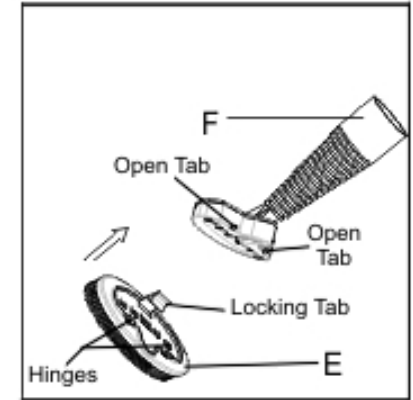


Fig. 6