

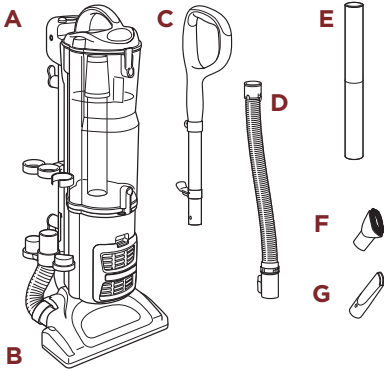
Please be sure to read the enclosed Shark® Owner's Guide prior to using your unit.

Shark Navigator™ SWIVELPRO

QUICK START GUIDE

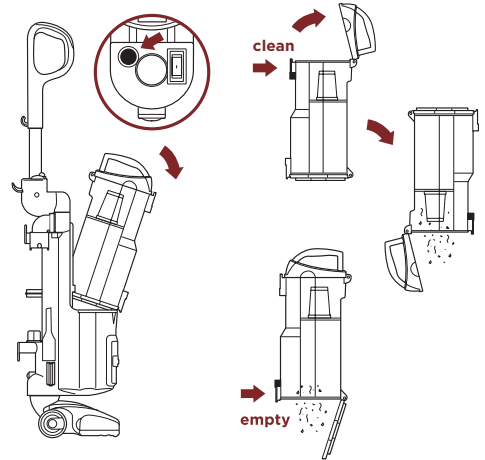
WHAT'S INSIDE

- A** Vacuum Pod
- B** Motorized Floor Nozzle
- C** Handle Assembly
- D** Flexible Hose
- E** Extension Wand
- F** Dusting Brush
- G** 5.5" Crevice Tool

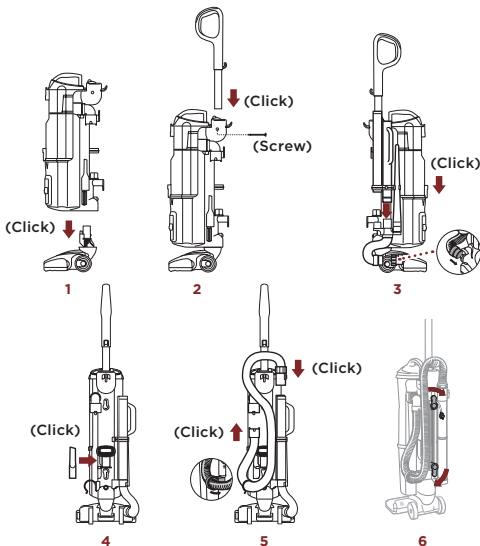


EMPTYING THE DUST CUP

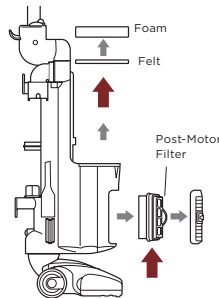
Empty the dust cup after each use.



ASSEMBLY



MAINTENANCE



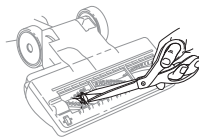
Wash foam and felt filters every 3 months and the post-motor filter once a year to keep the suction strong.

Rinse filters with water only and allow them to air-dry completely before reinstalling. Tap loose dirt from filters as needed between washes.

Cleaning the Brushroll

- 1 Detach the pod from the floor nozzle.
- 2 Remove any blockages or buildup from the airways in the nozzle.
- 3 With scissors, carefully cut away any fibers, hair, or string wrapped around the brushroll.

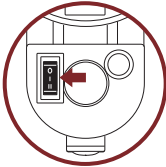
Avoid damaging or cutting the bristles on the brushroll.



2 WAYS TO CLEAN

FLOOR CLEANING

Press the Power/Surface switch at the top of the vacuum body to select the appropriate surface setting.



1

SETTING I

For cleaning bare floors or with accessories

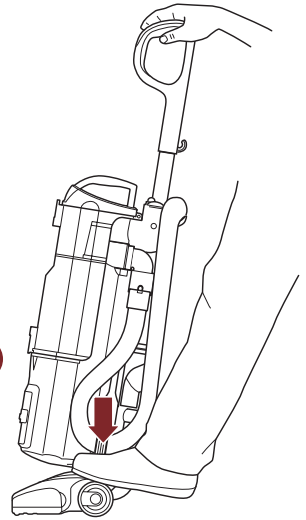


2

SETTING II

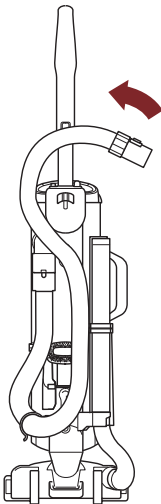
For carpet cleaning with brushroll

3



Step on floor nozzle and tilt handle back.

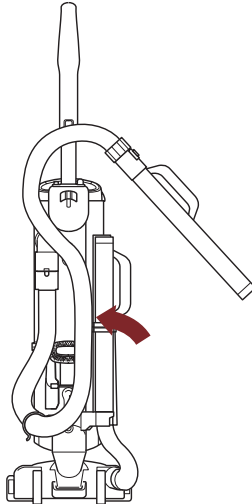
ABOVE-FLOOR CLEANING



1

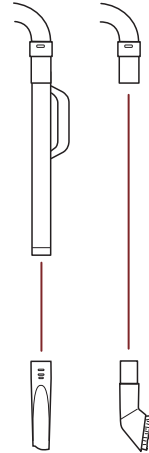
To clean above-floor areas, detach the flexible hose from the top of the extension wand. Or for more reach, detach the extension wand from the floor nozzle hose.

OR



2

Attach desired cleaning accessories to hose or wand.



For additional parts and accessories, visit sharkaccessories.com

For questions or to register your product, visit us online at sharkclean.com