

Shark

OWNER'S GUIDE

GI550 series



This manual covers model numbers: GI505 55, GI505C 55, GI505WM 55, GI550 55
SharkNinja Operating LLC
US: Needham, MA 02494
CAN: Ville St-Laurent, QC H4S 1A7
1-800-798-7398
COPYRIGHT© SHARKNINJA OPERATING LLC 2018
PRINTED IN CHINA
Illustrations may differ from actual product.
SHARK is a registered trademark of SharkNinja Operating LLC.
For SharkNinja U.S. Patent information visit <http://www.sharkninja.com/USPatents>.

IMPORTANT SAFETY INSTRUCTIONS

READ ALL INSTRUCTIONS BEFORE USING YOUR IRON

- CAUTION!** TO PREVENT ELECTRIC SHOCK OR OTHER INJURY, before filling the iron with water, make sure that the plug is removed from the outlet.
- WARNING:** Never fill the iron with fabric conditioner, starches, or any other solution, as these will damage the steam mechanism. Do not use contaminated water.
- CAUTION!** TO AVOID FIRE, never leave iron unattended while it is plugged in.
- CAUTION!** TO PREVENT ELECTRIC SHOCK, never use the iron in a location where it can fall or be pulled into water or any other liquid. If the iron falls into water or any other liquid, unplug it immediately. **DO NOT** reach into the water or liquid.
- WARNING:** Never use scouring pads, abrasive or chemical cleaners, or solvents to clean the exterior or soleplate of your iron. Doing so will scratch and/or damage the surface.
- CAUTION! DO NOT** aim iron at face, towards yourself, or at anyone else while using or adjusting steam. Burns or serious injury may occur.

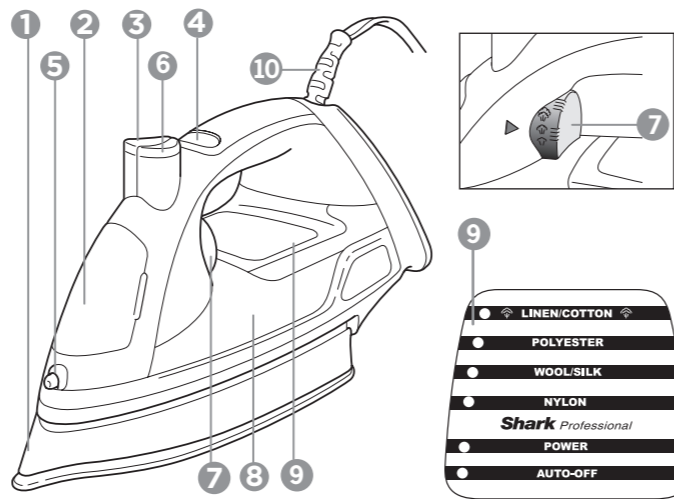
When using your iron, basic safety precautions should always be followed, including the following:

- Use iron only as instructed in this manual.
- To protect against risk of electrical shock, do not immerse the iron in water or other liquids.
- DO NOT** yank cord to disconnect from outlet. Grasp plug and pull to disconnect.
- DO NOT** allow cord to touch hot surfaces. Set the fabric/temperature selector button to nylon before unplugging the iron. Let iron cool completely before putting away. Loop cord loosely around iron when storing.
- Always disconnect iron from electrical outlet when filling with water, emptying, or when not in use.
- DO NOT** operate iron with a damaged cord, after the iron has been dropped or damaged in any manner, or if it is leaking. To avoid the risk of electric shock, do not disassemble the iron. Return to SharkNinja Operating LLC for examination, repair, or adjustment. Incorrect reassembly can cause the risk of electric shock when the iron is used.
- IMPORTANT:** This appliance is not intended for use by persons (including children) with reduced physical, sensory or mental capabilities, or lack of experience and knowledge. **Close Supervision** is necessary for any appliance being used near **children. DO NOT** leave iron unattended while connected or on an ironing board.
- Burns can occur from touching hot metal parts, hot water, or steam. Use caution when you turn a steam iron upside down; there may be hot water in the reservoir.
- When placing the iron in its upright position, ensure that the surface on which the iron is placed is stable. Never use or rest the iron on an unstable surface.
- While the iron is hot, never set iron on an unprotected surface, even if it is on its heel rest.
- Always store your iron standing upright, not on the soleplate. If stored face down, even the smallest amount of moisture will cause the soleplate to corrode and stain.
- This appliance is for household use only.

SPECIAL INSTRUCTIONS

- To avoid a circuit overload, do not operate another high-wattage appliance on the same circuit.
- If an extension cord is absolutely necessary, use a 15-ampere cord. Cords rated for less amperage may overheat. Use care to arrange the cord so that it cannot be pulled or tripped over.

SAVE THESE INSTRUCTIONS



FEATURES

- Stainless Steel Soleplate**
- Water Inlet Door**
- Spray Button**
- Fabric/Temperature Selector**
- Spray Nozzle**
- Steam Burst Button**
- Variable Steam/Self-Clean Dial**
- Water Level Window**
- LED Indicator Light**
- Pivot Cord**
- Anti-Drip Function** (not shown)
- Built-In Anti-Calcium Filter** (not shown)

TECHNICAL SPECIFICATIONS: 120V, 60 Hz, 1800W



To reduce the risk of electric shock, this appliance has a polarized plug (one blade is wider than the other). As a safety feature, this plug will fit into a polarized outlet only one way. If the plug does not fit fully into the outlet, reverse the plug. If it still does not fit, contact a qualified electrician. **DO NOT** force into outlet or try to modify to fit.

ONE-YEAR LIMITED WARRANTY

SharkNinja Operating LLC warrants this product to be free from material defects and workmanship for a period of one (1) year from the date of purchase when utilized for normal household use, subject to the following conditions, exclusions and exceptions.

The liability of SharkNinja Operating LLC is limited solely to the cost of the repair or replacement of the unit at our option. This warranty does not cover normal wear of parts and does not apply to any unit that has been tampered with or used for commercial purposes. This limited warranty does not cover damage caused by misuse, abuse, negligent handling or damage due to faulty packaging or mishandling in transit. This warranty does not cover damage or defects caused by or resulting from damages from shipping or repairs, service or alteration to the product or any of its parts, which have been performed by a repair person not authorized by SharkNinja Operating LLC.

If your appliance fails to operate properly while in use under normal household conditions within the warranty period, you may return the complete appliance and accessories with proof of purchase and date, freight prepaid. For customer service support, call **1-800-798-7398** or visit **sharkclean.com**.

If the appliance is found by SharkNinja Operating LLC to be defective, in SharkNinja Operating LLC's sole discretion, we will repair or replace it free of charge. Proof of purchase date and check made payable to SharkNinja Operating LLC in the amount of \$12.95 to cover the cost of return shipping and handling must be included.

This warranty is extended to the original purchaser of the unit. The responsibility of SharkNinja Operating LLC if any, is limited to the specific obligations expressly assumed by it under the terms of this Limited Warranty. In no event is SharkNinja Operating LLC liable for incidental or consequential damages to anyone of any nature whatsoever. Some states do not permit the exclusion or limitation of incidental or consequential damages, so the above may not apply to you.

This Limited Warranty gives you specific legal rights, and you may also have other rights which vary from state to state or province to province.

***IMPORTANT:** Carefully pack item to avoid damage in shipping. Be sure to include proof of purchase date and to attach a tag to item before packing including your name, complete address and phone number with a note giving purchase information, model number and what you believe is the problem with the item. We recommend you insure the package (as damage in shipping is not covered by your warranty). Mark the outside of your package "ATTENTION CUSTOMER SERVICE". We are constantly striving to improve our products, therefore the specifications contained herein are subject to change without notice.

BEFORE FIRST USE

- Before using your iron for the first time, please remove all the packaging material.
- When you turn on the iron for the first time it might emit an odor for the first ten minutes. This is because the materials used in making the iron are heating up. The odor is safe and should not reoccur after the initial heating.

USING YOUR IRON

- Carefully pour water into the water tank without exceeding the Max fill line. When finished, make sure the water inlet door is closed to avoid spills.
- Plug the iron into any polarized electrical outlet. The Power LED indicator light on the display panel will illuminate.
- Press the fabric/temperature selector on the handle repeatedly to toggle through the fabric and temperature options.
- The LED indicator light next to the selected temperature will flash green and then will become solid green once the selected temperature is reached. If you wish to change the temperature, press the fabric/temperature selector button. The LED indicator light will flash green, then change to solid green when the selected temperature is reached.
- Turn the variable steam/self-clean dial to a select (high) or (low) steam setting. Select on the variable steam/self-clean dial for dry ironing. You can now start ironing.
- Use the steam burst button to remove stubborn wrinkles. Allow 3 seconds between bursts. Overuse of the steam burst may cause water spitting or weak steam performance.
- The Steam Burst feature also works in the upright position. This is especially useful for removing wrinkles from hanging clothes, delicate garments, and other fabrics. Hold the iron in the upright position several inches away from the article.
- Use the spray button to dampen the fabric to tackle tough wrinkles, if necessary.

ANTI-DRIP FUNCTION

- If the soleplate is not hot enough, steam cannot be produced, which may result in water spitting or dripping. The anti-drip function prevents water from leaking or spitting when ironing at low temperatures.

ANTI-CALCIUM FILTER

- The built-in anti-calcium filter prevents buildup and prolongs the life of the iron. If you have very hard tap water, we recommend using distilled water instead.

ELECTRONIC MULTI-POSITION AUTO-OFF

- This iron is equipped with an electronic auto-off feature that switches the iron off if it has been idle for 15 minutes in the upright position and after 30 seconds of inactivity if the iron is sitting flat or on its side.

- The LED indicator light on the fabric/temperature selector will flash red when the iron is in auto-off mode. To turn the iron back on, place it in the horizontal position and gently rock it back and forth until the Power light illuminates. Select the temperature again. The iron might have to warm up for a minute if the auto-off feature was activated for an extended time.

SELF-CLEANING

- Add water to the tank up to the Max fill line.
- Stand the iron on its heel, upright on a protected surface, and plug into an electrical outlet.
- Set the fabric/temperature selector to the linen/cotton setting. When the light stops flashing, the iron will be at the correct temperature for self-cleaning.
- Hold the iron over the sink, with the soleplate facing down. Turn the variable steam control dial to the Self-Clean position and hold it there.
- While continuing to hold the dial in place, carefully move the iron back and forth. Hot water and steam will be ejected from the holes in the soleplate. Use caution to prevent burns.
- Repeat step 19 until all impurities are washed away.
- Empty any excess water from the tank. Use caution, as the soleplate, water, and steam are hot enough to cause burns.
- Release the steam dial and it will automatically return to the linen/cotton setting.
- Set the iron on a flat surface in an upright position and let it cool.

USEFUL TIPS

- Read all garment care labels before you start ironing. You can also test the temperature of the iron on a hem or an inside seam.
- Iron similar fabrics together and in this order: synthetic fibers, nylon, silk/wool, polyester, and cotton/linen. This will reduce the need to adjust the temperature frequently.

IRONING GUIDE

LABEL INDICATION					
FABRIC TYPE	Nylon	Wool or Silk	Polyester	Linen or Cotton	Please note that the symbol above on the label of your garment means that THE ARTICLE CANNOT BE IRONED
FABRIC/TEMP. SELECTOR	Nylon	Wool/Silk	Polyester	Linen/Cotton	
STEAM CONTROL					
BURST OF STEAM	NO	NO	NO	YES	
SPRAY	YES	YES	YES	YES	

STORAGE AND CARE

- Always set the variable steam control dial to after you have emptied the water tank.
- Allow the iron to cool down before putting it away.
- Keep the iron in an upright position during heating, cooling, and storage.
- DO NOT** let sharp objects contact the soleplate.
- Every two weeks, clean the exterior of the iron with a damp cloth and wipe dry.
- If you use spray starch, wipe the soleplate occasionally with a soft, damp cloth to prevent deposit buildup.
- If the iron hasn't been used for more than 2 weeks, hold it horizontally and allow it to steam for 2 minutes before use.

IMPORTANT REMINDERS

- Before adding water to iron, unplug from electrical outlet and set the fabric/temperature selector to nylon.
- After each use, ALWAYS empty the water from the iron.
- Never iron or steam clothes while they are being worn.
- Be very careful when filling the iron with water. Injuries may occur if the hot metal parts, hot water, or steam are contacted.

TROUBLESHOOTING

The iron doesn't heat up	Iron should be plugged into a polarized electric outlet only. Make sure the plug is securely in the socket. Temperature setting might be too low. Try a higher setting. Auto-off feature is activated.
An odor is being emitted from the new iron or small particles are coming out	This is normal. Follow the instructions for first-time use and allow iron to steam through 2 or 3 fillings. Press the Steam Burst button occasionally to eliminate small white particles.
Iron doesn't steam	Water tank may be empty or water level is very low. Add water. Steam control is set on . Make sure the fabric/temperature selector and the variable steam control dial are set correctly. For maximum steam, set temperature to linen/cotton and select on the steam control dial. The soleplate is not hot enough and the anti-drip feature is switching off the steam. Always allow the iron to reach the selected temperature with the variable steam dial setting at . For more steam, turn the fabric/temperature selector to linen/cotton and the variable steam control dial to . If the settings are correct and there is still no steam, gently move the iron from side to side, and rotate the dial from to a few times.
Water droplets coming from steam vents.	The variable steam control dial may be set to the Self-Clean position. Align the dial from to . Iron may not be hot enough. Set fabric/temperature selector to linen/cotton. Always allow iron sufficient time to heat up before activating the variable steam control dial. The Steam Burst button may have been overused. Allow more time between each burst