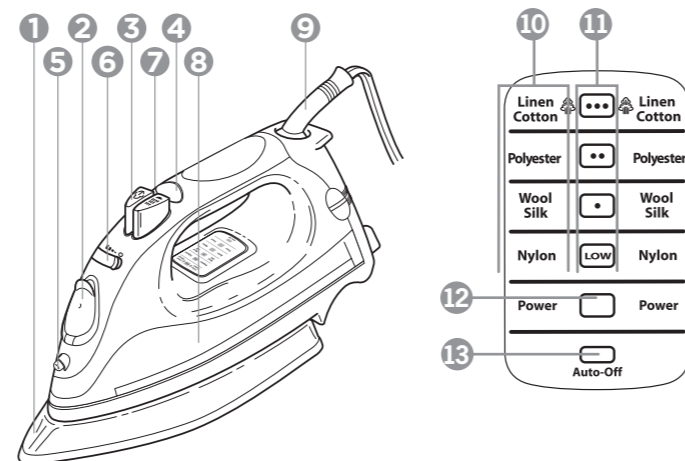


Shark

OWNER'S GUIDE

GI462 10



FEATURES

- | | |
|--|--|
| 1 Stainless Steel Soleplate | 8 Water Level Window |
| 2 Water Inlet Door | 9 Pivot Cord |
| 3 Steam Burst Button | 10 Fabric Settings |
| 4 Electronic Temperature Control | 11 Temperature Indicators |
| 5 Spray Nozzle | 12 Power Light |
| 6 Variable Steam/Self-Clean Control | 13 Auto-Off Light |
| 7 Spray Button | 14 Anti-Drip Function (not shown) |
| | 15 Built-In Anti-Calcium Filter (not shown) |

TECHNICAL SPECIFICATIONS: 120 Volts, 60 Hz., 1500 Watts



This appliance has a polarized plug (one blade is wider than the other). As a safety feature, this plug will fit into a polarized outlet only one way. If the plug does not fit fully into the outlet, reverse the plug. If it still does not fit, contact a qualified electrician. Do not attempt to defeat this safety feature.

ONE YEAR LIMITED WARRANTY

EURO-PRO Operating LLC warrants this product to be free from material defects and workmanship for a period of one (1) year from the date of purchase when utilized for normal household use, subject to the following conditions, exclusions and exceptions.

The liability of EURO-PRO Operating LLC is limited solely to the cost of the repair or replacement of the unit at our option. This warranty does not cover normal wear of parts and does not apply to any unit that has been tampered with or used for commercial purposes. This limited warranty does not cover damage caused by misuse, abuse, negligent handling or damage due to faulty packaging or mishandling in transit. This warranty does not cover damage or defects caused by or resulting from damages from shipping or repairs, service or alteration to the product or any of its parts, which have been performed by a repair person not authorized by EURO-PRO Operating LLC.

If your appliance fails to operate properly while in use under normal household conditions within the warranty period, you may return the complete appliance and accessories with proof of purchase and date, freight prepaid. For customer service support, call **1-800-798-7398** or visit our website at www.sharkclean.com.

If the appliance is found by EURO-PRO Operating LLC to be defective, in EURO-PRO Operating LLC's sole discretion, we will repair or replace it free of charge. Please send Proof of purchase to EURO-PRO Operating LLC.

This warranty is extended to the original purchaser of the unit and excludes all other legal, implied and/or conventional warranties. The responsibility of EURO-PRO Operating LLC if any, is limited to the specific obligations expressly assumed by it under the terms of this Limited Warranty. In no event is EURO-PRO Operating LLC liable for incidental or consequential damages to anyone of any nature whatsoever. Some states do not permit the exclusion or limitation of incidental or consequential damages, so the above may not apply to you.

This Limited Warranty gives you specific legal rights, and you may also have other rights which vary from state to state or province to province.

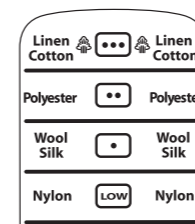
***IMPORTANT:** Carefully pack item to avoid damage in shipping. Be sure to include proof of purchase date and to attach a tag to item before packing including your name, complete address and phone number with a note giving purchase information, model number and what you believe is the problem with the item. We recommend you insure the package (as damage in shipping is not covered by your warranty). Mark the outside of your package "ATTENTION CUSTOMER SERVICE". We are constantly striving to improve our products, therefore the specifications contained herein are subject to change without notice.

BEFORE FIRST TIME USE

- Before using your iron for the first time, please remove all the packaging material.
- When you turn on the iron for the first time it might emit an odor for the first ten minutes. This is because the materials used in making the iron are heating up. The odor is safe and should not re-occur after the initial heating.

USING YOUR IRON

- Fill water carefully into the water tank without going over "Max" line. Make sure the water inlet cover is closed to avoid spilling.
- Plug in the iron into any 120V AC polarized electrical outlet.
- Set the desired fabric/temperature by pressing the Electronic Temperature Control.
- The temperature indicator light on the LED Display Panel will flash when the iron is heating up. The green light will stop flashing and stay on when the iron reaches the preset temperature.
- Turn the variable steam control to select high or low steam setting. Select "0" on the steam control for dry ironing. You can now start ironing.
- Use the steam burst button to remove stubborn wrinkles. Allow an interval of 3 seconds between each burst. Overuse of the steam burst may cause water spitting or weak steam performance.
- The steam burst feature also works in the vertical position. This is especially useful to remove wrinkles from hanging clothes, delicate garments and other fabrics. Hold the iron in the upright position several inches away from the article.
- Use the atomizer spray to moisten the fabric to tackle tough wrinkles, if necessary.



ANTI-DRIP FEATURE

- The anti-drip feature is built in to this iron. It prevents water spitting when the temperature is too low.
- Steam cannot be produced if the soleplate is not hot enough. It may result in water spitting or leaking from the soleplate. The anti-drip feature reduces water dripping and leaking when ironing at low temperatures.

ANTI-CALCIUM

- This iron has built in the anti-calcium system that prolongs the life of the iron.
- If you have very hard water, we recommend using distilled water instead of tap water.

ELECTRONIC MULTI POSITION AUTO-OFF

- This iron is equipped with an electronic auto-off feature that switches the iron off if it has been idle in the sideways, flat or upright positions for 7-9 minutes.
- The auto-off light will flash in red on the LED display when the iron is in auto-off mode. To turn the iron back on, just gently rock the iron back and forth several times until the "Power ON" green light is re-illuminated. Reset the temperature to the desired setting; wait for the green light to stop flashing. The iron might have to warm up for a minute if the auto-off feature was activated for an extended time.

SELF-CLEANING

- Fill the water tank to the "MAX" level. Do not overfill.
- Stand the iron on its heel, standing up on a protected surface and plug into the electrical outlet
- Set the Electronic Temperature Controls to "•••" setting. Wait until the green light stops flashing. The iron is now on the preset temperature.
- Hold the iron horizontally over the sink. Turn and hold the steam control all the way to the right to the SELF CLEAN position.
- Move the iron back and forth. Boiling water and steam will now be ejected from the holes in the soleplate. Use caution when doing this as the water and the steam are hot enough to cause burns.
- Continue step 21 until the impurities and scale are washed away.
- Empty any excess water from the tank. Don't touch the hot surfaces, water or steam because injury may occur
- Turn the steam control to "0".
- Place the iron in upright position and let it cool down.

USEFUL TIPS

- Read all garment care labels before you start ironing. You can also test the temperature of the iron on a hem or an inside seam.
- Iron similar fabrics together and in sequence of synthetic fibers acrylic, nylon, silk/wool, polyester, and cotton/linen. This will reduce the need to adjust the temperature frequently.

IRONING GUIDE

FABRIC TYPE	Acrylic, or nylon	Silk or wool	Polyester	Cotton or linen	Please note that the symbol above on the label of your garment means that THE ARTICLE CANNOT BE IRONED
LED DISPLAY PANEL					
STEAM CONTROL	0	0	0		
BURST OF STEAM	NO	NO	NO	YES	
SPRAY	YES	YES	YES	YES	

STORAGE AND CARE

- Always turn the variable steam control to "0" after you have emptied the water tank.
- Allow the iron to cool down before putting it away.
- Place the iron in the upright position during heating up, cooling down and storage.
- Avoid any sharp material contacting the soleplate.
- Every two weeks, clean the exterior of the iron with a damp cloth and wipe dry.
- If you use spray starch, wipe the soleplate occasionally with a soft, damp cloth to prevent deposit build-up.
- If the iron hasn't been used in a few weeks, hold the iron horizontally and allow steaming for 2 minutes before ironing.

ALWAYS REMEMBER

- Unplug the iron from the electrical outlet before pouring water into the iron.
- Always empty the water in the iron after each use.
- Never iron or steam clothes while they are being worn.

- Be very careful when filling the iron with water. Injuries may occur if the hot metal parts, hot water or steam are contacted.

TROUBLE SHOOTING

The iron doesn't heat up	Iron should be plugged into a 120V AC electric outlet only. Make sure the plug is securely in the socket. Temperature setting might be too low. Try turning to a higher setting. Auto-off feature is activated.
An odor is being emitted from the new iron or small particles are coming out	This is normal. Follow the instructions for first-time use and allow iron to steam through 2-3 fillings and press the steam burst button occasionally to eliminate small white particles.
Iron doesn't steam	Water tank may be empty or water level is very low. Add water. Make sure the fabric/temperature setting and the variable steam control are correctly set. For maximum steam, set "MAX" on steam control and the temperature setting should be set on "•••." Steam control is set on "0." The soleplate is not hot enough and the anti-drip feature switches off the steam. Always allow the iron to reach the selected temperature with the variable steam lever setting at "0". For more steam, turn temperature dial to a higher setting and the steam control to "MAX." If the temperature setting and steam control settings are correct and there is no steam, gently move the iron left or right a couple of times. Move the Steam Control from "0" to "MAX" a few times.
Water droplets coming from steam vents.	Variable Steam Control may be set in "self clean" position. Align the lever to the "0" to "Max" steam setting. Iron may not be hot enough. Set temperature to "•••" position. Always allow iron sufficient time to heat up before activating the variable steam control. Overuse the steam burst. Allow more time between each burst.

IMPORTANT SAFETY INSTRUCTIONS

READ ALL INSTRUCTIONS BEFORE USING YOUR IRON

When using your iron, basic safety precautions should always be followed, including the following:

- Use iron only for its intended use.
- To protect against risk of electrical shock, do not immerse the iron in water or other liquids.
- DO NOT** yank cord to disconnect from outlet. Grasp plug and pull to disconnect.
- DO NOT** allow cord to touch hot surfaces. Let iron cool completely before putting away. Loop cord loosely around iron when storing.
- Always disconnect iron from electrical outlet when filling with water, emptying, or when not in use.
- DO NOT** operate iron with a damaged cord, or after the iron has been dropped or damaged in any manner. To avoid the risk of electric shock, do not disassemble the iron. Return to EURO-PRO Operating LLC for examination, repair or adjustment. Incorrect reassembly can cause the risk of electric shock when the iron is used.
- Close supervision is necessary for any appliance being used by or near children. **DO NOT** leave iron unattended while connected or on an ironing board.
- Burns can occur from touching hot metal parts, hot water or steam. Use caution when you turn a steam iron upside down; there may be hot water in the reservoir.
- Never use or rest iron on an unstable surface.
- While the iron is hot, never set iron on an unprotected surface - even if it is on its heel rest.
- Always store your iron standing upright, not on the soleplate. If stored face down, even the smallest amount of moisture will cause the soleplate to corrode and stain.
- This appliance is for household use only.

- CAUTION!** TO PREVENT ELECTRIC SHOCK OR OTHER INJURY, before filling the iron with water, make sure that the plug is removed from the outlet.
- WARNING:** Never fill the iron with fabric conditioner, starches or any other solution, as these will damage the steam mechanism. Do not use contaminated water.
- CAUTION!** TO AVOID FIRE, never leave iron unattended while it is plugged in.
- CAUTION!** TO PREVENT ELECTRIC SHOCK, never use the iron in a location where it can fall or be pulled into water or another liquid. If the iron falls into water or other liquid, unplug it immediately. DO NOT reach into the water or liquid.
- WARNING:** Never use scouring pads, abrasive or chemical cleaners, or solvents to clean the exterior or soleplate of your iron. Doing so will scratch and/or damage the surface.
- CAUTION!** DO NOT aim iron at face, towards yourself, or anyone else while using or adjusting steam. Burns or serious injury may occur.

SPECIAL INSTRUCTIONS

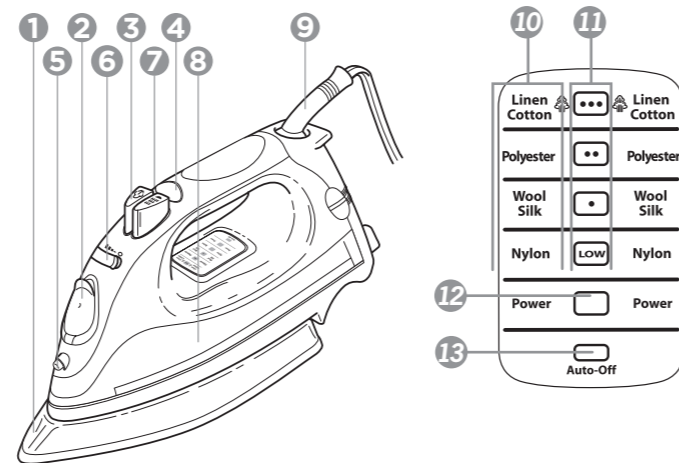
- To avoid a circuit overload, do not operate another high-wattage appliance on the same circuit.
- If an extension cord is absolutely necessary, use a 15-ampere cord. Cords rated for less amperage may overheat. Use care to arrange the cord so that it cannot be pulled or tripped over.

SAVE THESE INSTRUCTIONS

Shark

GUÍA DEL USUARIO

GI462 10



CARACTERÍSTICAS

- 1 Base de acero inoxidable
- 2 Tapa del tanque de agua
- 3 Botón de ráfaga de vapor
- 4 Control electrónico de temperatura
- 5 Pico rociador
- 6 Control variable de vapor/autolimpieza
- 7 Botón de rociado
- 8 Indicador de nivel de agua
- 9 Cable pivotante
- 10 Selección de telas
- 11 Indicador de temperatura
- 12 Luz de encendido
- 13 Luz de apagado automático
- 14 Función anti goteo (no se muestra)
- 15 Filtro anti-calcio incorporada (no se muestra)

ESPECIFICACIONES TÉCNICAS: 120 V, 60 Hz, 1500 watts



Este artefacto tiene un enchufe polarizado (una de las patas es más ancha que la otra). Como medida de seguridad, este cable entrará únicamente en un tomacorriente polarizado. De no ser así, invértalo. Si aún no entra, llame a un electricista calificado. No intente alterar este dispositivo de seguridad.

GARANTÍA LIMITADA DE UN AÑO

EURO-PRO Operating LLC garantiza este producto contra defectos de materiales y mano de obra por un término de un (1) año a partir de la fecha de compra original, siempre que sea utilizado para uso doméstico normal, sujeto a las siguientes condiciones, exclusiones y excepciones.

La responsabilidad de EURO-PRO Operating LLC se limita únicamente al costo de reparación o reemplazo de la unidad, a nuestro criterio. Esta garantía no cubre el desgaste normal de las partes y no cubre ninguna unidad que haya sido alterada o utilizada con fines comerciales. Esta garantía limitada no cubre daños ocasionados por uso inadecuado, abuso, negligencia o daños causados por embalaje inapropiado o maltrato durante el transporte. Esta garantía no cubre daños o defectos causados o resultantes durante el transporte para su reparación o alteraciones del producto o cualquiera de sus partes, realizadas por una persona no autorizada por EURO-PRO Operating LLC.

Si su artefacto no funciona correctamente al utilizarlo bajo condiciones domésticas normales dentro del periodo de garantía, puede devolver el artefacto completo y los accesorios, junto con un comprobante de la fecha de compra, pagando los gastos de envío. Por servicio al cliente, llame al 1-800-798-7395 o visite nuestro sitio Web www.sharkclean.com

Si EURO-PRO Operating LLC determina que el artefacto presenta un defecto, lo reparará o reemplazará sin cargo, a su criterio. Por favor envíe su recibo de compra a EURO-PRO Operating LLC.

Esta garantía es válida para el comprador original del producto y excluye cualquier otra garantía legal, implícita y/o convencional. La responsabilidad de EURO-PRO Operating LLC, de existir, se limita a las obligaciones específicas asumidas expresamente bajo los términos de esta garantía limitada. Bajo ninguna circunstancia EURO-PRO Operating LLC será responsable por daños incidentales o indirectos a cualquiera, de ninguna clase. Algunos estados no permiten la exclusión o limitación de daños consiguientes o incidentales, por lo tanto lo anterior puede no ser válido para usted.

Esta garantía limitada le otorga derechos legales específicos, y usted puede también tener otros derechos los que varían de estado a estado o de provincia a provincia.

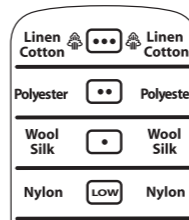
***IMPORTANTE:** Embale el producto cuidadosamente para evitar daños durante el transporte. Asegúrese de incluir un comprobante de la fecha de compra y de colocarle una etiqueta al producto con su nombre, dirección completa y número de teléfono, una nota proporcionando información de la compra, número de modelo y una descripción del problema. Le recomendamos asegurar el paquete (puesto que la garantía no cubre daños de envío). Escriba en el exterior del paquete "ATTENTION CUSTOMER SERVICE". Nosotros nos esforzamos constantemente en mejorar nuestros productos, por lo tanto las especificaciones aquí indicadas pueden cambiar sin previo aviso.

ANTES DE USARLA POR PRIMERA VEZ

- 1 Antes de usar su plancha por primera vez, sáquele todo el material de empaque.
- 2 Cuando encienda su plancha por primera vez, puede emitir un olor extraño durante los primeros diez minutos. Esto se debe a que los materiales usados para fabricar esta plancha se están calentando. El olor es normal y no se producirá luego del calentamiento inicial.

USANDO SU PLANCHA

- 3 Llene el tanque de agua con cuidado de no sobrepasar la línea de "Max". Verifique que la entrada de agua esté cerrada para evitar derrames.
- 4 Enchufe la plancha en un tomacorriente polarizado de 120V CA.
- 5 Ajuste la tela/temperatura deseada presionando el control electrónico de temperatura.
- 6 La luz indicadora de temperatura del panel LED indicador parpadeará mientras la plancha se está calentando. La luz verde dejará de parpadear y permanecerá encendida cuando la plancha alcance la temperatura seleccionada.



- 7 Mueva el control de vapor variable para seleccionar vapor alto o bajo. Seleccione "0" en el control de vapor para planchar a seco. Ahora puede empezar a planchar.
- 8 Use el botón de ráfaga de vapor para remover arrugas difíciles. Haga una pausa de 3 segundos entre cada ráfaga. El uso excesivo de la ráfaga de vapor puede hacer que salga agua o reduzca el rendimiento del vapor.
- 9 La función de ráfaga de vapor también funciona en posición vertical. Esto es especialmente útil para remover arrugas de prendas colgadas, ropa delicada y otras telas. Sostenga la plancha en posición vertical a unas pocas pulgadas de la prenda.
- 10 Use el rociador de vapor para humedecer la tela y eliminar arrugas difíciles, si es necesario.

FUNCIÓN ANTI-GOTEO

- 11 Esta plancha viene con una función anti-goteo incorporada. Evita que salga agua cuando la temperatura es demasiado baja.
- 12 No se puede producir vapor si la base de la plancha no está suficientemente caliente. Podría causar salpicaduras o pérdidas de agua por la base de la plancha. La función anti-goteo reduce la pérdida de agua cuando plancha a temperaturas bajas.

ANTI-CALCIO

- 13 Esta plancha tiene un sistema anti-calcio incorporado que extiende la vida de la plancha.
- 14 Si tiene agua muy dura, le recomendamos usar agua destilada en lugar de agua del grifo.

APAGADO AUTOMÁTICO ELECTRÓNICO DE MÚLTIPLE POSICIONES

- 15 Esta plancha está equipada con una función de apagado automático que apaga automáticamente la plancha si se la deja de costado, horizontal o parada durante 7-9 minutos.
- 16 La luz de apagado automático parpadeará en rojo en la pantalla LED cuando la plancha entra en el modo de apagado automático. Para encender nuevamente la plancha, sacúdala suavemente varias veces hacia los costados hasta que se vuelva a encender la luz verde de encendido. Vuelva a ajustar la temperatura deseada y espere a que la luz verde deje de parpadear. La plancha puede necesitar calentarse durante unos minutos si la función de apagado automático estuvo activada durante mucho tiempo.

AUTOLIMPIEZA

- 17 Llene el tanque de agua hasta el nivel "MAX". No la llene de más.
- 18 Apoye la plancha en posición vertical sobre una superficie protegida y enchúfela en un tomacorriente.
- 19 Ajuste el control electrónico de temperatura en "•••". Espere a que la luz verde deje de parpadear. La plancha esta ahora a la temperatura seleccionada.
- 20 Sostenga la plancha en posición horizontal sobre un lavabo. Gire el control de vapor completamente hacia la derecha, hasta la posición SELF CLEAN.
- 21 Mueva la plancha hacia delante y hacia atrás. Saldrá agua hirviendo y vapor por los orificios de la base. Tenga cuidado al hacer esto ya que el agua y el vapor están lo suficientemente calientes como para causar quemaduras. Esto removerá las impurezas y el sarro.
- 22 Siga con el paso 19 hasta que el agua que sale esté completamente limpia.
- 23 Saque el agua que haya quedado en el tanque. No toque las superficies calientes, el agua o el vapor ya que podría lastimarse.
- 24 Gire el control de vapor hasta "0".
- 25 Apoye la plancha en posición vertical y deje que se enfríe.

CONSEJOS ÚTILES

- 26 Lea todas las etiquetas de cuidado de la prenda antes de plancharla. También puede hacer una prueba de la temperatura de la plancha en un dobladillo o una costura interna.
- 27 Planche telas similares al mismo tiempo en la siguiente secuencia de telas: sintéticas, acrílicas, nylon, seda/lana, poliéster y algodón/lino. Esto reducirá la necesidad de ajustar frecuentemente la temperatura.

GUÍA DE PLANCHADO

TIPO DE TELA	Acrílico o nylon	Seda o lana	Poliéster	Algodón o lino	Note que el símbolo de arriba en la etiqueta de su prenda significa que LA PRENDA NO SE PUEDE PLANCHAR
PANEL DE CONTROL	LOW	•	••	•••	
CONTROL DE VAPOR	0	0	0		
RÁFAGA DE VAPOR	NO	NO	NO	SI	
ROCIADOR	SI	SI	SI	SI	

ALMACENAMIENTO Y CUIDADO

- 28 Gire siempre el control de vapor a "0" luego de vaciar el tanque de agua.
- 29 Deje que la plancha se enfríe antes de guardarla.
- 30 Coloque la plancha en posición vertical durante su calentamiento, enfriamiento y almacenamiento.
- 31 Evite que el contacto de cualquier material filoso con la base de la plancha.
- 32 Cada dos semanas, limpie el exterior de la plancha con un trapo húmedo y séquela.
- 33 Si usa almidón en aerosol, limpie la base de vez en cuando con un trapo húmedo para evitar la acumulación de depósitos.
- 34 Si no ha usado la plancha por varias semanas, sosténgala horizontalmente y deje que despida vapor por 2 minutos antes de planchar.

SIEMPRE RECUERDE

- 35 Desenchufe la plancha del tomacorriente antes de agregarle agua.
- 36 Siempre vacíe el agua de la plancha después de usarla.
- 37 Nunca planche o aplique vapor en las prendas mientras las esté usando.
- 38 Tenga mucho cuidado al llenar la plancha con agua. Se puede lastimar si toca las partes metálicas calientes, el agua caliente o el vapor.

SOLUCIÓN DE PROBLEMAS

La plancha no se calienta.	La plancha debe enchufarse únicamente a un tomacorriente de 120V CA. Verifique que esté enchufada correctamente. El ajuste de temperatura puede estar muy bajo. Pruebe una temperatura más alta. Función de apagado automático activada.
La plancha nueva emite un olor extraño o salen pequeñas partículas de la misma.	Esto es normal. Siga las instrucciones para usarla por primera vez y deje que emita vapor durante 2-3 recargas presionando ocasionalmente el botón de ráfaga de vapor para eliminar las partículas blancas pequeñas.
La plancha no emite vapor.	Tanque de agua vacío o nivel de agua demasiado bajo. Agregue agua. Verifique que el control de tela/temperatura y el control variable de vapor estén ajustados correctamente. Para el máximo de vapor seleccione "MAX" en el control de vapor y el control de temperatura debe estar en "•••". El control de vapor está en "0". La base de la plancha no está lo suficientemente caliente y la función anti-goteo desactiva el vapor. Siempre deje que la plancha llegue a la temperatura seleccionada con el control variable de vapor en "0". Para obtener más vapor gire el control de temperatura a un ajuste más alto y el control de vapor en "MAX". Si los ajustes de vapor y temperatura son correctos y no hay vapor, mueva suavemente la plancha hacia la derecha o la izquierda unas cuantas veces. Mueva el control de vapor desde "0" hasta "MAX" varias veces.
Salen gotas de agua por las ranuras de vapor.	La palanca de control variable de vapor puede estar colocada en la posición de "autolimpieza". Coloque la palanca en alguna posición entre "0" y "MAX". La plancha puede no estar suficientemente caliente. Ajuste la temperatura a la posición "•••". Siempre deje que la plancha se caliente completamente antes de activar el control de vapor. Uso excesivo de ráfaga de vapor. Espere más tiempo entre cada ráfaga.

REV - 100310