

Shark

OWNER'S GUIDE
GI505 55



Euro-Pro Operating LLC
Newton, MA 02459
1-800-798-7398
www.sharkclean.com

COPYRIGHT© EURO-PRO OPERATING LLC 2013
PRINTED IN CHINA
Illustrations may differ from actual product.

Euro-Pro and Shark are trademarks of Euro-Pro Operating LLC.

IMPORTANT SAFETY INSTRUCTIONS

READ ALL INSTRUCTIONS BEFORE USING YOUR IRON

When using your iron, basic safety precautions should always be followed, including the following:

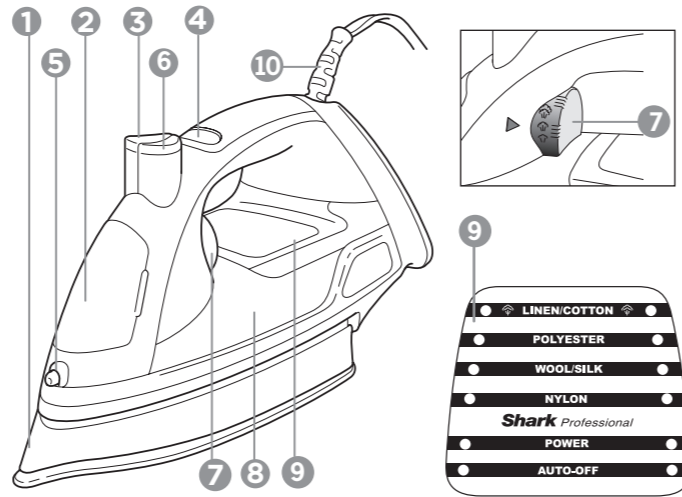
1. Use iron only for its intended use.
2. To protect against risk of electrical shock, do not immerse the iron in water or other liquids.
3. **DO NOT** yank cord to disconnect from outlet. Grasp plug and pull to disconnect.
4. **DO NOT** allow cord to touch hot surfaces. Set the Fabric/Temperature Selector Button to "Nylon" before unplugging the iron. Let iron cool completely before pulling away. Loop cord loosely around iron when storing.
5. Always disconnect iron from electrical outlet when filling with water, emptying, or when not in use.
6. **DO NOT** operate iron with a damaged cord, after the iron has been dropped or damaged in any manner, or if it is leaking. To avoid the risk of electric shock, do not disassemble the iron. Return to EURO-PRO Operating LLC for examination, repair, or adjustment. Incorrect reassembly can cause the risk of electric shock when the iron is used.
7. Close supervision is necessary for any appliance being used by or near children. **DO NOT** leave iron unattended while connected or on an ironing board.
8. Burns can occur from touching hot metal parts, hot water, or steam. Use caution when you turn a steam iron upside down; there may be hot water in the reservoir.
9. When placing the iron in its upright position, ensure that the surface on which the iron is placed is stable. Never use or rest the iron on an unstable surface.
10. While the iron is hot, never set iron on an unprotected surface - even if it is on its heel rest.
11. Always store your iron standing upright, not on the soleplate. If stored face down, even the smallest amount of moisture will cause the soleplate to corrode and stain.
12. This appliance is for household use only.

- ⚠ **CAUTION!** TO PREVENT ELECTRIC SHOCK OR OTHER INJURY, before filling the iron with water, make sure that the plug is removed from the outlet.
- ⚠ **WARNING:** Never fill the iron with fabric conditioner, starches, or any other solution, as these will damage the steam mechanism. Do not use contaminated water.
- ⚠ **CAUTION!** TO AVOID FIRE, never leave iron unattended while it is plugged in.
- ⚠ **CAUTION!** TO PREVENT ELECTRIC SHOCK, never use the iron in a location where it can fall or be pulled into water or any other liquid. If the iron falls into water or any other liquid, unplug it immediately. DO NOT reach into the water or liquid.
- ⚠ **WARNING:** Never use scouring pads, abrasive or chemical cleaners, or solvents to clean the exterior or soleplate of your iron. Doing so will scratch and/or damage the surface.
- ⚠ **CAUTION!** DO NOT aim iron at face, towards yourself, or anyone else while using or adjusting steam. Burns or serious injury may occur.

SPECIAL INSTRUCTIONS

1. To avoid a circuit overload, do not operate another high-wattage appliance on the same circuit.
2. If an extension cord is absolutely necessary, use a 15-ampere cord. Cords rated for less amperage may overheat. Use care to arrange the cord so that it cannot be pulled or tripped over.

SAVE THESE INSTRUCTIONS



FEATURES

- | | |
|--------------------------------------|--|
| 1 Stainless Steel Soleplate | 7 Variable Steam/Self-Clean Dial |
| 2 Water Inlet Door | 8 Water Level Window |
| 3 Spray Button | 9 LED Indicator Light |
| 4 Fabric/Temperature Selector | 10 Pivot Cord |
| 5 Steam Burst Button | 11 Anti-Drip Function (not shown) |
| | 12 Built-In Anti-Calcium Filter (not shown) |

TECHNICAL SPECIFICATIONS: 120 Volts, 60 Hz., 1800 Watts



This appliance has a polarized plug (one blade is wider than the other). As a safety feature, this plug will fit into a polarized outlet only one way. If the plug does not fit fully into the outlet, reverse the plug. If it still does not fit, contact a qualified electrician. Do not attempt to defeat this safety feature.

ONE YEAR LIMITED WARRANTY

EURO-PRO Operating LLC warrants this product to be free from material defects and workmanship for a period of one (1) year from the date of purchase when utilized for normal household use, subject to the following conditions, exclusions and exceptions.

The liability of EURO-PRO Operating LLC is limited solely to the cost of the repair or replacement of the unit at our option. This warranty does not cover normal wear of parts and does not apply to any unit that has been tampered with or used for commercial purposes. This limited warranty does not cover damage caused by misuse, abuse, negligent handling or damage due to faulty packaging or mishandling in transit. This warranty does not cover damage or defects caused by or resulting from damages from shipping or repairs, service or alteration to the product or any of its parts, which have been performed by a repair person not authorized by EURO-PRO Operating LLC.

If your appliance fails to operate properly while in use under normal household conditions within the warranty period, you may return the complete appliance and accessories with proof of purchase and date, freight prepaid. For customer service support, call **1-800-798-7398** or visit our website at **www.sharkclean.com**.

If the appliance is found by EURO-PRO Operating LLC to be defective, in EURO-PRO Operating LLC's sole discretion, we will repair or replace it free of charge. Proof of purchase date and check made payable to EURO-PRO Operating LLC in the amount of \$12.95 to cover the cost of return shipping and handling must be included.

This warranty is extended to the original purchaser of the unit and excludes all other legal, implied and/or conventional warranties. The responsibility of EURO-PRO Operating LLC if any, is limited to the specific obligations expressly assumed by it under the terms of this Limited Warranty. In no event is EURO-PRO Operating LLC liable for incidental or consequential damages to anyone of any nature whatsoever. Some states do not permit the exclusion or limitation of incidental or consequential damages, so the above may not apply to you.

This Limited Warranty gives you specific legal rights, and you may also have other rights which vary from state to state or province to province.

***IMPORTANT:** Carefully pack item to avoid damage in shipping. Be sure to include proof of purchase date and to attach a tag to item before packing including your name, complete address and phone number with a note giving purchase information, model number and what you believe is the problem with the item. We recommend you insure the package (as damage in shipping is not covered by your warranty). Mark the outside of your package "ATTENTION CUSTOMER SERVICE". We are constantly striving to improve our products, therefore the specifications contained herein are subject to change without notice.

BEFORE FIRST TIME USE

- 1 Before using your iron for the first time, please remove all the packaging material.
- 2 When you turn on the iron for the first time it might emit an odor for the first ten minutes. This is because the materials used in making the iron are heating up. The odor is safe and should not re-occur after the initial heating.

USING YOUR IRON

- 3 Pour water carefully into the water tank without going over "Max" line. Make sure the Water Inlet Door is closed to avoid spilling while in use.
- 4 Plug in the iron into any polarized electrical outlet. The Power LED Indicator Light on the display panel will light up.
- 5 Set the desired fabric/temperature by pressing the Fabric/Temperature Selector button on the handle of the iron.
- 6 The LED Indicator Light next to the selected temperature will flash green and then will become solid green once the selected temperature is reached. If you wish to change the temperature, press the Fabric/Temperature Selector button and the LED Indicator Light will start to flash green to show that the iron is either heating up or cooling down. The LED Indicator Light will turn solid green again when the iron reaches the selected temperature.
- 7 Turn the Variable Steam/Self-Clean Dial to a select "☁" (high) or "☁" (low) steam setting. Select "☁" on the Variable Steam/Self-Clean Dial for dry ironing. You can now start ironing.
- 8 Use the Steam Burst Button to remove stubborn wrinkles. Allow an interval of 3 seconds between each burst. Overuse of the steam burst may cause water spitting or weak steam performance.
- 9 The Steam Burst feature also works in the vertical position. This is especially useful to remove wrinkles from hanging clothes, delicate garments and other fabrics. Hold the iron in the upright position several inches away from the article.
- 10 Use the Spray Button to dampen the fabric to tackle tough wrinkles, if necessary.

ANTI-DRIP FUNCTION

- 11 The Anti-Drip Function is built in to this iron. It prevents water spitting when the temperature is too low.
- 12 Steam cannot be produced if the soleplate is not hot enough. It may result in water spitting or leaking from the soleplate. The Anti-Drip Function reduces water dripping and leaking when ironing at low temperatures.

ANTI-CALCIUM

- 13 This iron has built in the anti-calcium system that prolongs the life of the iron.
- 14 If you have very hard water, we recommend using distilled water instead of tap water.

ELECTRONIC MULTI POSITION AUTO-OFF

- 15 This iron is equipped with an electronic auto-off feature that switches the iron off if it has been idle for 15 minutes in the upright position and after 30 seconds in the sideways or flat positions.
- 16 The LED Indicator Light next to the Auto-Off on the Fabric/Temperature Selector display will flash red when the iron is in the auto-off mode. To turn the iron back on, hold the iron in the horizontal position and gently rock the iron back and forth several times until the Power Indicator Light is re-illuminated. Select the temperature again. The iron might have to warm up for a minute if the auto-off feature was activated for an extended time.

SELF-CLEANING

- 17 Fill the water tank to the "MAX" level. Do not overfill.
- 18 Stand the iron on its heel, standing up on a protected surface and plug into the electrical outlet
- 19 Set the Fabric/Temperature Selector to the Linen/Cotton "☁" setting. Wait until the light stops flashing. The iron is now on the preset temperature.
- 20 Hold the iron horizontally over the sink. Turn and hold the Variable Steam Control Dial all the way to the SELF CLEAN position.
- 21 Move the iron back and forth. Boiling water and steam will now be ejected from the holes in the soleplate. Use caution when doing this as the water and the steam are hot enough to cause burns.
- 22 Repeat step 19 until the impurities and scale are washed away.
- 23 Empty any excess water from the tank. Don't touch the hot surfaces, water or steam because injury may occur.
- 24 Release the steam dial and it will automatically go to the Linen/Cotton "☁" setting.
- 25 Place the iron in upright position and let it cool down.

USEFUL TIPS

- 26 Read all garment care labels before you start ironing. You can also test the temperature of the iron on a hem or an inside seam.
- 27 Iron similar fabrics together and in sequence of synthetic fibers, nylon, silk/wool, polyester, and cotton/linen. This will reduce the need to adjust the temperature frequently.

IRONING GUIDE

LABEL INDICATION					
FABRIC TYPE	Nylon	Wool or Silk	Polyester	Linen or Cotton	Please note that the symbol above on the label of your garment means that THE ARTICLE CANNOT BE IRONED
FABRIC/TEMP. SELECTOR	Nylon	Wool/Silk	Polyester	Linen/Cotton	
STEAM CONTROL					
BURST OF STEAM	NO	NO	NO	YES	
SPRAY	YES	YES	YES	YES	

STORAGE AND CARE

- 28 Always set the Variable Steam Control Dial to "☁" after you have emptied the water tank.
- 29 Allow the iron to cool down before putting it away.
- 30 Place the iron in the upright position during heating up, cooling down and storage.
- 31 Avoid any sharp material contacting the soleplate.
- 32 Every two weeks, clean the exterior of the iron with a damp cloth and wipe dry.
- 33 If you use spray starch, wipe the soleplate occasionally with a soft, damp cloth to prevent deposit build-up.
- 34 If the iron hasn't been used in a few weeks, hold the iron horizontally and allow steaming for 2 minutes before ironing.

ALWAYS REMEMBER

- 35 Turn the Fabric/Temperature Selector to "Nylon" and then unplug the iron from the electrical outlet before pouring water into the iron.
- 36 Always empty the water in the iron after each use.
- 37 Never iron or steam clothes while they are being worn.
- 38 Be very careful when filling the iron with water. Injuries may occur if the hot metal parts, hot water, or steam are contacted.

TROUBLE SHOOTING

The iron doesn't heat up	Iron should be plugged into a polarized electric outlet only. Make sure the plug is securely in the socket. Temperature setting might be too low. Try turning to a higher setting. Auto-off feature is activated.
---------------------------------	---

An odor is being emitted from the new iron or small particles are coming out	This is normal. Follow the instructions for first-time use and allow iron to steam through 2-3 fillings and press the Steam Burst Button occasionally to eliminate small white particles.
---	---

Iron doesn't steam	Water tank may be empty or water level is very low. Add water. Steam control is set on "☁". Make sure the Fabric/Temperature Selector setting and the Variable Steam Control Dial are correctly set. For maximum steam, set "☁" on steam control dial and the temperature setting should be set on "Linen/Cotton". The soleplate is not hot enough and the anti-drip feature switches off the steam. Always allow the iron to reach the selected temperature with the Variable Steam Dial setting at "☁". For more steam, turn the Fabric/Temperature Selector to "Linen/Cotton" and the Variable Steam Control Dial to "☁". If the temperature setting and steam control settings are correct and there is no steam, gently move the iron left or right a couple of times. Move the Variable Steam Control Dial from "☁" to "☁" a few times.
---------------------------	---

Water droplets coming from steam vents.	Variable Steam Control Dial may be set in "SELF CLEAN" position. Align the dial from the "☁" to "☁" on the steam setting. Iron may not be hot enough. Set Fabric/Temperature Selector to "Linen/Cotton" position. Always allow iron sufficient time to heat up before activating the Variable Steam Control Dial. The Steam Burst button may have been overused. Allow more time between each burst.
--	--

GI505.E.130226.2