

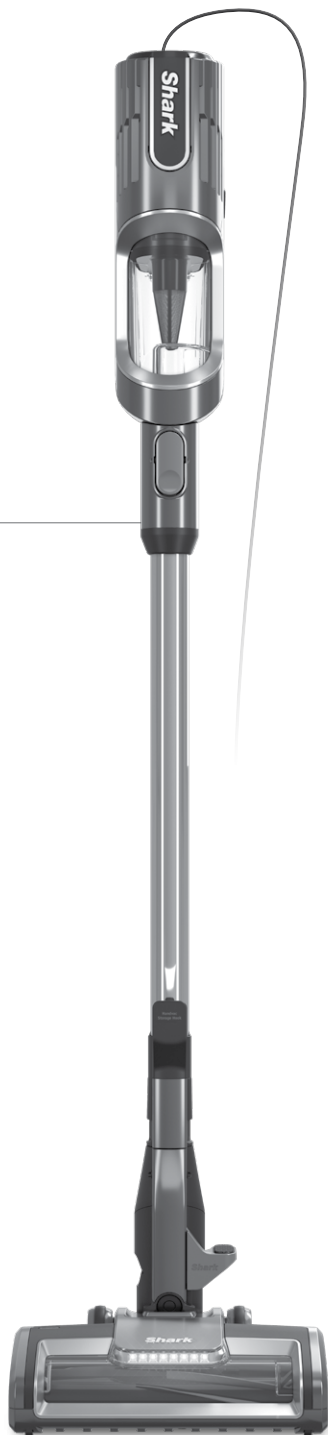
# ***Shark*** **UltraLight PowerFins™** **Corded Stick Vacuum with** **Self-Cleaning Brushroll**

HZ600 Series

**OWNER'S GUIDE**

---

***POWERFINS***™



# IMPORTANT SAFETY INSTRUCTIONS

FOR HOUSEHOLD USE ONLY

## **⚠ WARNING**

To reduce the risk of fire, electric shock, injury, or property damage, when using an electrical appliance, basic precautions should always be followed, including the following:

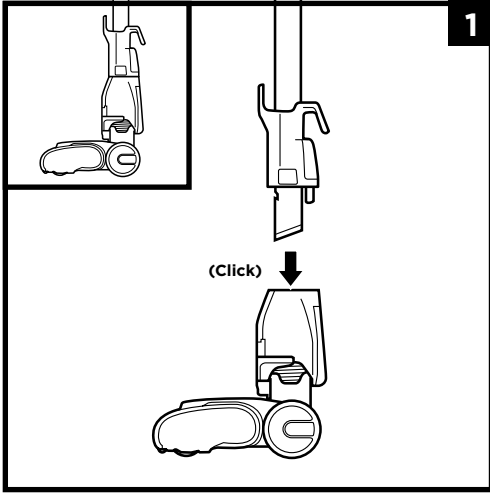
### **READ ALL INSTRUCTIONS BEFORE USING THIS VACUUM**

1. Inspect power cord and plug for any damage before use. **DO NOT** use vacuum cleaner with a damaged cord or plug. Turn off all controls before plugging in or unplugging the vacuum cleaner. Store your vacuum cleaner with the power cord secured around the two cord hooks. To minimize the risk of power cord damage, do not allow the motorized brush roll to ingest the cord. If this occurs, immediately shut off power to the vacuum and remove the cord.
2. This appliance has a polarized plug, if the plug does not fit fully into the outlet, reverse the plug (one blade is wider than the other). If it still does not fit, contact a qualified electrician. **DO NOT** force into outlet or try to modify to fit.
3. Your vacuum cleaner may consist of a motorized nozzle, wand, hose, and/or vacuum pod. This device contains electrical connections, electrical wiring, and moving parts that potentially present risk to the user.
4. Use only identical replacement parts.
5. Carefully observe and follow the instructions provided below to avoid improper use of the appliance. **DO NOT** use the vacuum for any purpose other than those described in this manual.
6. Before use, carefully inspect all parts for any damage. **DO NOT** use if any parts are damaged.
7. The use of an extension cord is **NOT** recommended.
8. This vacuum cleaner contains no serviceable parts.
9. This appliance can be used by persons with reduced physical, sensory or mental capabilities or lack of experience and knowledge if they have been given supervision or instruction concerning use of the appliance in a safe way and understand the hazards involved. Cleaning and user maintenance shall not be made by children. Keep the appliance and its cord out of reach of children. **DO NOT** allow the appliance to be used by children. **DO NOT** allow to be used as a toy. Close supervision is necessary when used near children.
10. Always turn off the vacuum cleaner before connecting or disconnecting any motorized nozzles or other accessories.
11. **DO NOT** handle plug or vacuum cleaner with wet hands.
12. **DO NOT** use without filters in place.
13. Only use Shark® branded filters and accessories.
14. **DO NOT** damage the power cord:
  - a) **DO NOT** pull or carry vacuum cleaner by the cord or use the cord as a handle.
  - b) **DO NOT** unplug by pulling on cord. Grasp the plug, not the cord.
  - c) **DO NOT** run the vacuum cleaner over the power cord, close a door on the cord, pull the cord around sharp corners, or leave the cord near heated surfaces.

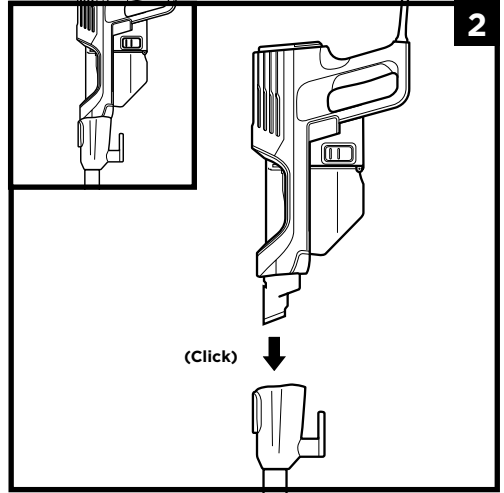
15. **DO NOT** put any objects into nozzle or accessory openings. **DO NOT** use with any opening blocked; keep free of dust, lint, hair, and anything that may reduce airflow.
16. **DO NOT** use if nozzle or accessory airflow is restricted. If the air paths or the motorized floor nozzle become blocked, turn the vacuum cleaner off and unplug from electrical outlet. Remove all obstructions before you plug in and turn on the unit again.
17. Keep nozzle and all vacuum openings away from hair, face, fingers, uncovered feet, or loose clothing.
18. **DO NOT** use if vacuum cleaner is not working as it should, or has been dropped, damaged, left outdoors, or dropped into water.
19. Use extra care when cleaning on stairs.
20. **DO NOT** leave the vacuum cleaner unattended while plugged in.
21. When powered on, keep the vacuum cleaner moving over the carpet surface at all times to avoid damaging the carpet fibers.
22. **DO NOT** place vacuum cleaner on unstable surfaces such as chairs or tables.
23. Your Shark® vacuum may not be designed to stand up on its own. When taking a break from cleaning, you may need to lean it against furniture or a wall, or lay it flat on the floor. Using the vacuum for an application where the unit lacks stability may result in personal injury.
24. **DO NOT** use to pick up:
  - a) Liquids
  - b) Large objects
  - c) Hard or sharp objects (glass, nails, screws, or coins)
  - d) Large quantities of dust (drywall dust, fireplace ash, or embers). **DO NOT** use as an attachment to power tools for dust collection.
  - e) Smoking or burning objects (hot coals, cigarette butts, or matches)
  - f) Flammable or combustible materials (lighter fluid, gasoline, or kerosene)
  - g) Toxic materials (chlorine bleach, ammonia, or drain cleaner)
25. **DO NOT** use in the following areas:
  - a) Poorly lit areas
  - b) Wet or damp surfaces
  - c) Outdoor areas
  - d) Spaces that are enclosed and may contain explosive or toxic fumes or vapors (lighter fluid, gasoline, kerosene, paint, paint thinners, mothproofing substances, or flammable dust)
26. Turn off all controls before plugging in or unplugging the vacuum.
27. Unplug from electrical outlet when not in use and before any maintenance or cleaning.
28. Hand wash with water only. Washing with cleaning chemicals could damage the unit.
29. During cleaning or routine maintenance, **DO NOT** cut anything other than hair, fibers, or string wrapped around the brushroll.
30. Allow all filters to air-dry completely before replacing in the vacuum to prevent liquid from being drawn into electric parts.
31. Make sure the dust cup and all filters are in place after routine maintenance.
32. If provided, secure the power cord around the two cord hooks during storage.

## SAVE THESE INSTRUCTIONS

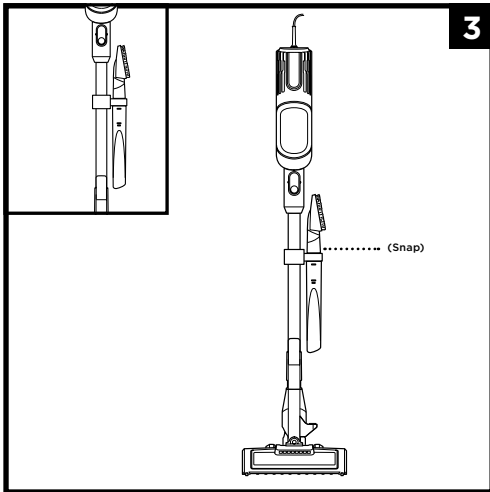
## ASSEMBLY



1. Insert **Wand** into **Floor Nozzle**.

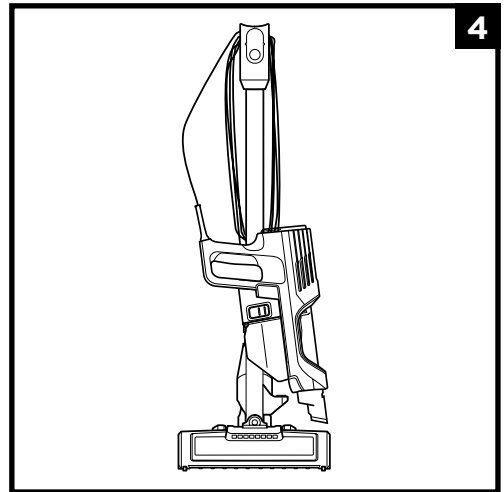


2. Insert **Handheld Vacuum** into wand.



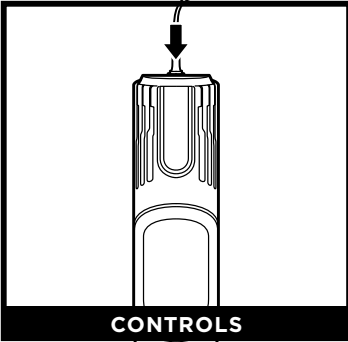
3. Snap the **Onboard Storage Clip** onto the wand, then place accessories in the holder.

Ensure all connections click securely into place.

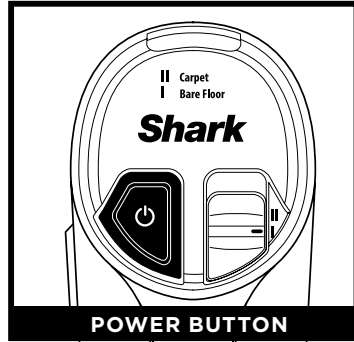


4. For compact storage, hang the handheld vacuum from the **Storage Hook** on the wand.

## SETTINGS

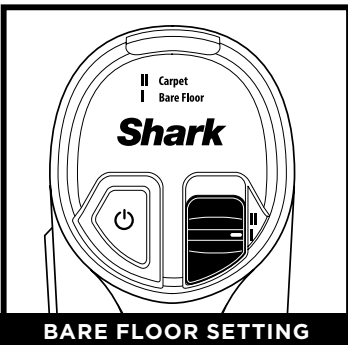


The control panel is located on top of the handheld vacuum.

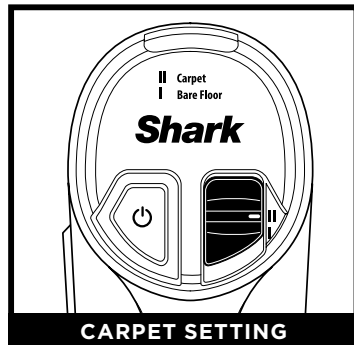


### Power Button

Press the Power button to begin vacuuming. Press again to turn off power.



Slide the floor select button to setting I to clean bare floors and small area rugs. The brushroll spins slowly in this setting.



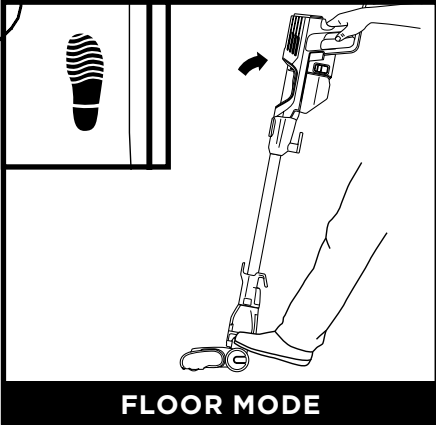
Slide the floor select button to setting II to clean carpets. In this setting, the brushroll spins faster to pick up debris below the surface of your carpets.

**NOTE:** Press the floor select button to toggle between Bare Floor and Carpet settings.

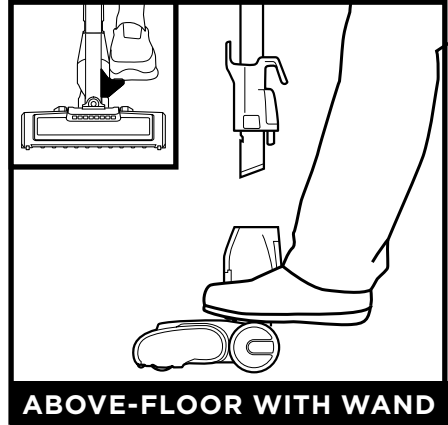
**NOTE:** For deep cleaning per ASTM F 608 (embedded dirt in carpets) please use the Carpet setting.

**NOTE:** Select Carpet for stuck-on dust and debris.

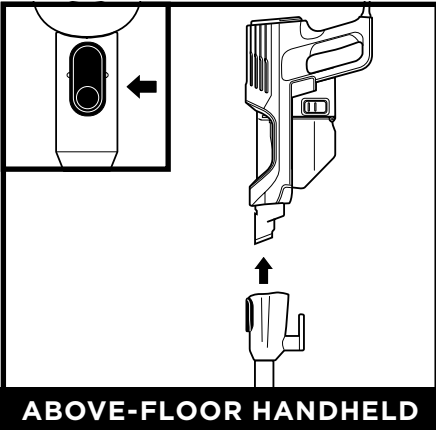
## CLEANING MODES



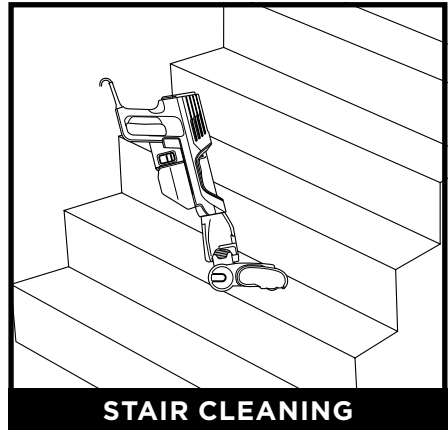
To clean floors, step on floor nozzle and tilt handheld vacuum back.



For more reach, detach the wand. Stand the vacuum upright, step on the **Foot Pedal** on the side of the nozzle, and pull up the wand to detach.



To detach the handheld vacuum, press the **Wand Release** button and lift the handheld vacuum off the wand. Great for cleaning stairs, furniture, and countertops.

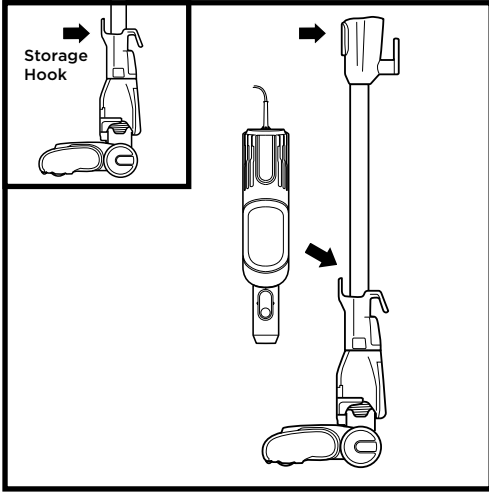


To clean stairs or other narrow spaces, attach the handheld vacuum to the floor nozzle.

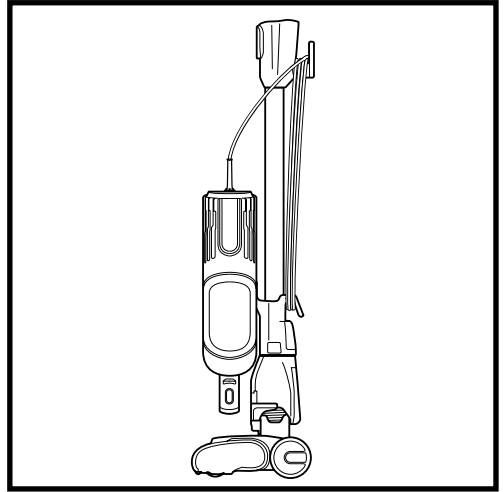
**NOTE:** All accessories are compatible with both the wand and the handheld vacuum.

## STORAGE MODE

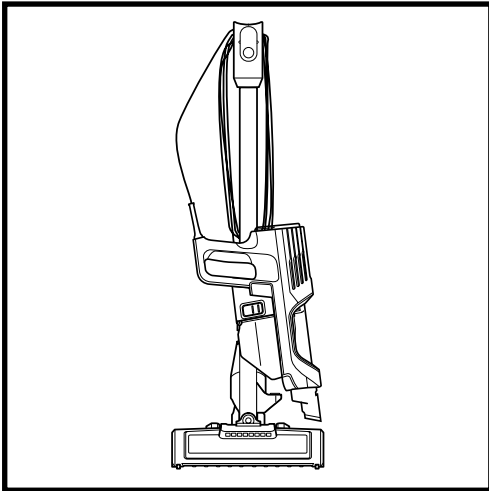
### HANDHELD STORAGE HOOK



Press the **Wand Release** button near the top of the wand to detach the handheld vacuum. Align the **Catch** on the side of the handheld vacuum with the **Storage Hook** on the wand, then hang the handheld vacuum from the hook.



Wrap the cord around the two cord hooks. Start with the top hook, and leave a little slack in the cord.



## AVAILABLE ACCESSORIES

**NOTE:** Not all accessories come with all units. For a list of the accessories included with this model, see the top inside flap of the box. To order additional accessories, visit [sharkaccessories.com](http://sharkaccessories.com).

**A Crevice Tool**

This slim tool is great for cleaning in tight spaces, between couch cushions, and in hard-to-reach areas. A longer crevice tool is available at [sharkaccessories.com](http://sharkaccessories.com).

**B Pet Crevice Tool**

This versatile, slender 8" tool removes pet hair from hard-to-reach spaces like corners, stairs, and between couch cushions.

**C Upholstery Tool**

Picks up pet hair, dust, and large debris from mattresses, couches, curtains, and other delicate upholstered fabrics.

**D Dusting Brush**

This brush dusts and cleans delicate surfaces. Great for use on fans, blinds, lampshades, and keyboards.

**E Pet Multi-Tool**

A single convertible tool for cleaning tough pet messes two ways: use the stiff bristle brush to clean stuck-on debris, or take off the bristles to reveal an upholstery tool perfect for removing stubborn pet hair and large piles of debris.

**F Duster Crevice Tool**

Two cleaning tools in one. The crevice tool gives you extended reach to clean in tight spaces, while the soft brush is ideal for dusting delicate surfaces.

**G Anti-Allergen Dust Brush**

This brush features nylon fiber bristles specifically designed for removing fine dust and allergen particles from the most delicate surfaces.

**H Self-Cleaning Pet Power Brush**

Tackles pet hair and ground-in dirt from above-floor areas like carpeted stairs and upholstery, while actively removing hair wrap as it cleans.

**I Precision Duster**

This flexible tube features a micro-duster crevice tool on the end for cleaning around delicate objects and in difficult-to-reach spots like car interiors and computer keyboards.

**J Under-Appliance Wand**

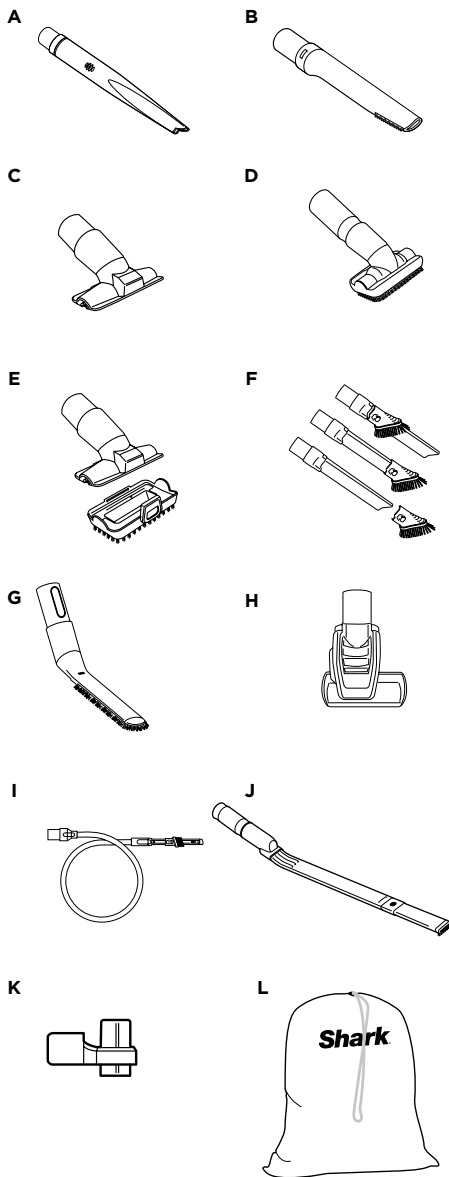
Clean under and behind hard-to-move appliances and furniture with this adjustable 36" tool. Flip the extension piece over to clean the underside of appliances.

**K Onboard Storage Clip**

This removable clip attaches to your vacuum. The clip can store up to two accessories at a time while you clean.

**L Accessory Bag (Large, 32cm x 70 cm)**

This convenient accessory storage bag measures 32 cm x 70 cm and fits the Under-Appliance Wand. Smaller size available at [sharkaccessories.com](http://sharkaccessories.com)



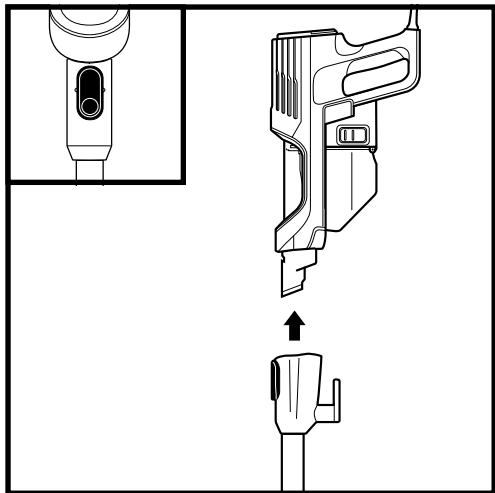


## MAINTENANCE

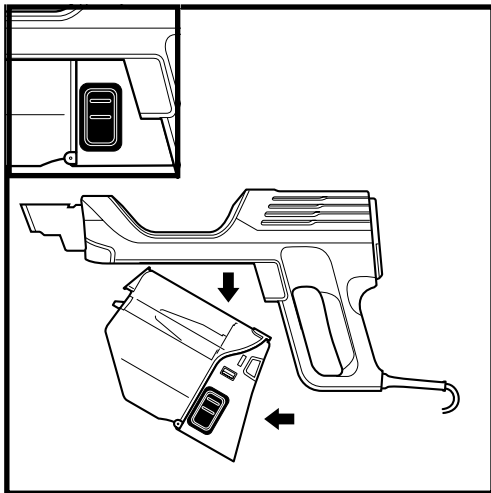
**IMPORTANT:** Unplug the vacuum before performing any maintenance.

### EMPTYING THE DUST CUP

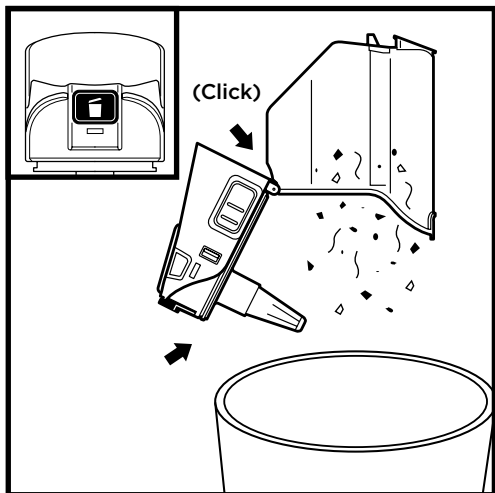
Empty the dust cup each time you vacuum and periodically during cleaning, when debris in the dust cup reaches the MAX fill line.



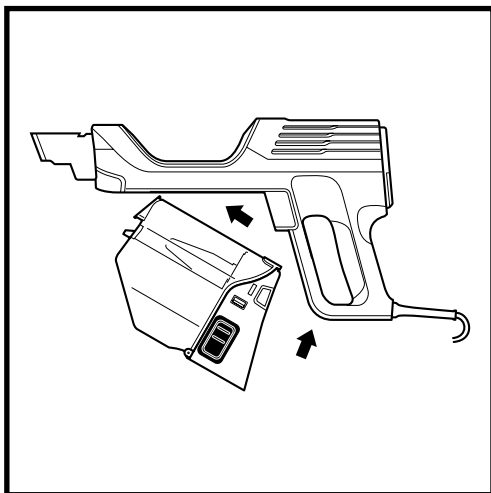
Press the **Wand Release** button and lift off the handheld vacuum.



To remove the dust cup from the handheld vacuum, press the two **Dust Cup Release** buttons at the same time and slide out the dust cup.



Hold the dust cup over the trash. Press the **Empty** button and pull open the dust cup lid until it clicks and locks in the open position. Gently tap the cone-shaped screen inside the dust cup to knock dust and debris into the trash.



To reinstall, push the lid closed, then insert the front end of the dust cup into the handheld vacuum first, then the back end, until it clicks into place.

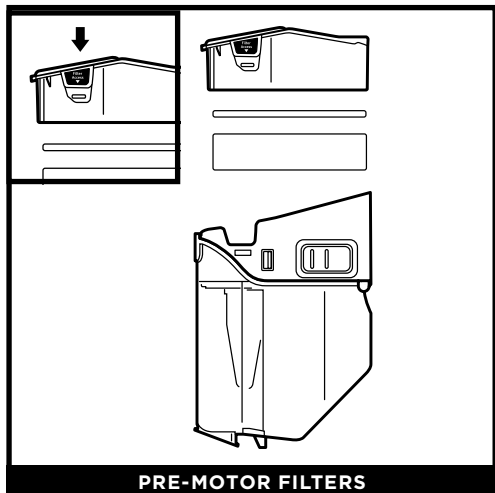
## MAINTENANCE

**IMPORTANT:** Unplug the vacuum before performing any maintenance.

### CLEANING FILTERS

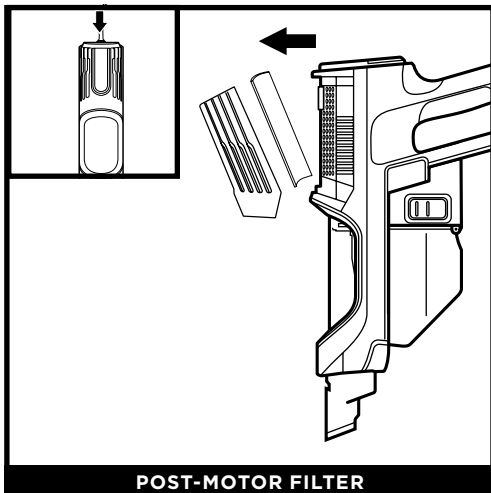
**Regularly rinse and replace the filters to maintain your vacuum's suction power.**

To prevent damage from cleaning chemicals, rinse filters with cold water only. Do not use soap. Allow all filters to air-dry for at least 24 hours before reinstalling them to prevent liquid from being drawn into electronic parts.



With the dust cup detached, press the Filter Access buttons on both sides of the back of the dust cup, then pull out the filter housing. Pull the foam filter out of the housing, then lift out the felt filter by the pull tab.

The **Pre-Motor Filters** should be washed once a month.

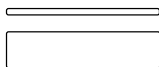


To access the post-motor filter, press the release latch on the filter cover on the handheld vacuum. Remove the cover and lift out the filter.

The **Post-Motor Filter** should be washed once every 9 months.

### REPLACEMENT FILTERS

**Replacement Pre-Motor Filter Kit**  
XFFKHZ2000



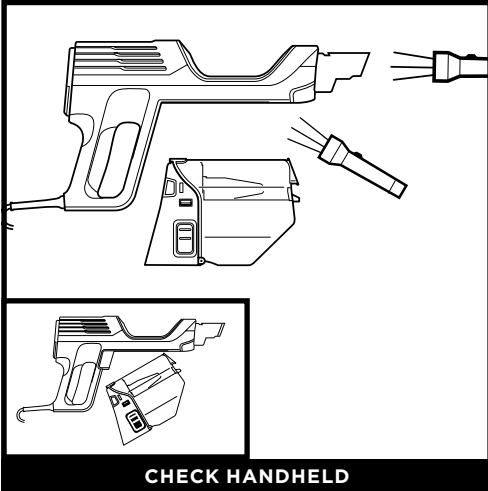
**Replacement Post-Motor Filter**  
XPMFHZ2000



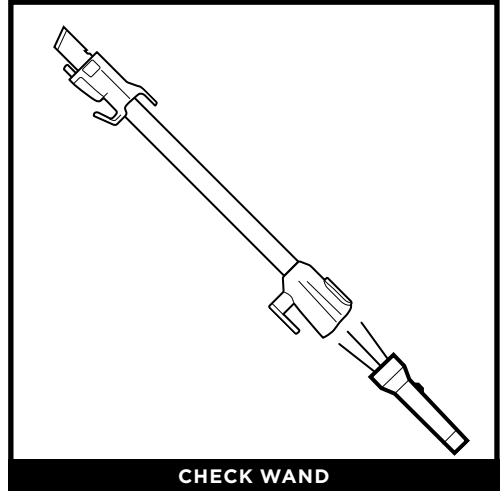
**NOTE:** The pre-motor filters should be replaced every 2.5 years. The post-motor filter should be replaced every 3 years.

## MAINTENANCE

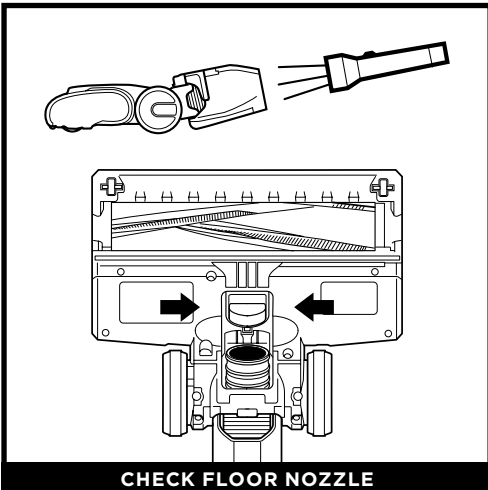
### CHECKING FOR BLOCKAGES



Remove the handheld vacuum from the wand and check all dust cup intake openings for debris or blockages.



Detach the wand and check it for blockages.



Detach the wand, then tilt the floor nozzle **Debris Intake** back and check openings for blockages.

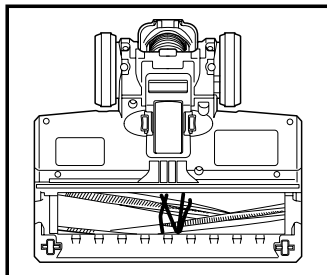
## MAINTENANCE

### NOZZLE MAINTENANCE

#### SELF-CLEANING BRUSHROLL

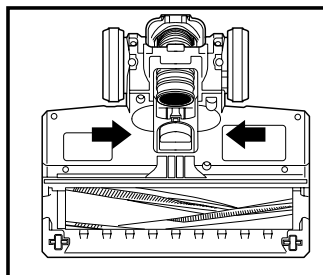
If you run over a hard or sharp object or notice a noise change while vacuuming, check for blockages or objects caught in the brushroll.

If some fibers remain wrapped around the brushroll after continued use, clear them from the brushroll.



**DEBRIS WRAPPED  
AROUND BRUSHROLL**

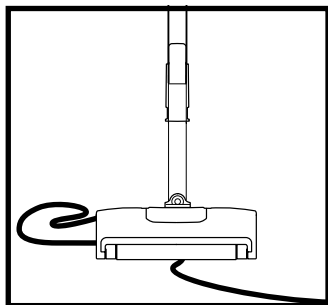
Clean off any debris on the brushroll.



**DEBRIS BEHIND BRUSHROLL**

Check the Debris intake and clear away any dirt or blockages. To close the cover, push down until it clicks into place.

### CORD MAINTENANCE



1. **DO NOT** pull or carry vacuum cleaner by the cord or use cord as a handle.
2. **DO NOT** unplug by pulling on the cord. Grasp the plug, not the cord.
3. **DO NOT** close the door on the cord.
4. **DO NOT** pull the cord around sharp corners.
5. **DO NOT** leave the cord near heated surfaces.

To minimize the risk of power cord damage, **DO NOT** run the vacuum over the power cord. If this occurs, immediately shut off power to the vacuum and remove the cord from the brushroll or nozzle.

**NOTE:** For best performance, keep the Soft Roller clean with regular maintenance.

## TROUBLESHOOTING

### **Power cord caught in brushroll or floor nozzle.**

- To minimize the risk of power cord damage, DO NOT run the vacuum over the power cord. If this occurs, immediately shut off power to the vacuum and remove the cord from the brushroll or nozzle.
- Inspect power cord and plug for any damage before use. DO NOT use vacuum cleaner with a damaged cord or plug. Turn off all controls before plugging in or unplugging the vacuum cleaner. Store your vacuum cleaner with the power cord secured around the two cord hooks.

### **Vacuum is not picking up debris. No suction or light suction.**

#### **See Maintenance section for more information.**

- Empty the dust cup. Check filters to see if they need cleaning. Follow instructions for rinsing and completely air-drying the filters before reinstalling them.
- Clear any blockages in the nozzle, wand, handheld vacuum, or accessories. See Checking for Blockages section for more information.
- If any string, hair, or carpet fibers remain wrapped around the brushroll after continued use, carefully clear them away.
- Remove any blockages from the debris intake in the floor nozzle. Pinch the tabs on the bottom of the nozzle to open the cover, and lift up the intake tube. Clear blockages, then push the tube down and press the nozzle cover closed.

### **Vacuum lifts area rugs.**

- Suction is powerful. Take care when vacuuming area rugs or rugs with delicately sewn edges.
- Turn off the unit to disengage the brushroll. To restart, press the power button on the handle.

**NOTE:** Clean area rugs in Bare Floor mode or with accessories. See Available Accessories section.

### **Vacuum turns off on its own or the indicator light flashes red.**

If your vacuum overheats, the thermostat will automatically turn off the motor. Perform the following steps to restart:

1. Turn off the vacuum and unplug it.
2. Empty the dust cup and clean the filters. See Emptying the Dust Cup and Cleaning Filters sections.
3. Check for blockages in the wand, floor nozzle, handheld vacuum, inlet openings, and accessories.
4. Reassemble the entire vacuum and ensure all parts click into place.
5. Allow unit to cool for a minimum of 60 minutes.
6. Plug in vacuum and turn it on.

### **Handheld vacuum is warm.**

Due to the strong suction power of the vacuum, it is normal for the area around the filter exhaust to become warm during and after use. Turn off the vacuum and wait 10 minutes for it to cool down. If it still feels warm, clean the pre-motor and post-motor filters. See Maintenance section for filter cleaning instructions.

## FIVE (5) YEAR LIMITED WARRANTY

The Five (5) Year Limited Warranty applies to purchases made from authorized retailers of **SharkNinja Operating LLC**. Warranty coverage applies to the original owner and to the original product only and is not transferable.

SharkNinja warrants that the unit shall be free from defects in material and workmanship for a period of five (5) years from the date of purchase when it is used under normal household conditions and maintained according to the requirements outlined in the Owner's Guide, subject to the following conditions and exclusions:

### What is covered by this warranty?

1. The original unit and/or non-wearable components deemed defective, in SharkNinja's sole discretion, will be repaired or replaced up to five (5) years from the original purchase date.
2. In the event a replacement unit is issued, the warranty coverage ends six (6) months following the receipt date of the replacement unit or the remainder of the existing warranty, whichever is later. SharkNinja reserves the right to replace the unit with one of equal or greater value.

### What is not covered by this warranty?

1. Normal wear and tear of wearable parts (such as foam filters, HEPA filters, pads, etc.), which require regular maintenance and/or replacement to ensure the proper functioning of your unit, are not covered by this warranty. Replacement parts are available for purchase at [sharkaccessories.com](http://sharkaccessories.com).
2. Any unit that has been tampered with or used for commercial purposes.
3. Damage caused by misuse (e.g., vacuuming up water or other liquids), abuse, negligent handling, failure to perform required maintenance (e.g., not cleaning the filters), or damage due to mishandling in transit.
4. Consequential and incidental damages.
5. Defects caused by repair persons not authorized by SharkNinja. These defects include damages caused in the process of shipping, altering, or repairing the SharkNinja product (or any of its parts) when the repair is performed by a repair person not authorized by SharkNinja.
6. Products purchased, used, or operated outside North America.

### How to get service

If your appliance fails to operate properly while in use under normal household conditions within the warranty period, visit [sharkclean.com/support](http://sharkclean.com/support) for product care and maintenance self-help. Our Customer Service Specialists are also available at **1-800-798-7398** to assist with product support and warranty service options, including the possibility of upgrading to our VIP warranty service options for select product categories.

SharkNinja will cover the cost for the customer to send in the unit to us for repair or replacement. A fee of \$25.95 (subject to change) will be charged when SharkNinja ships the repaired or replacement unit.

### How to initiate a warranty claim

You must call **1-800-798-7398** to initiate a warranty claim. You will need the receipt as proof of purchase. A Customer Service Specialist will provide you with return and packing instruction information.

### How state law applies

This warranty gives you specific legal rights, and you also may have other rights that vary from state to state. Some states do not permit the exclusion or limitation of incidental or consequential damages, so the above may not apply to you.

## REGISTER YOUR PURCHASE



registeryourshark.com



Scan QR code using  
mobile device



Benefits of registering your product and creating an account:

- Get easier, faster product support and access to warranty information
- Access troubleshooting and product care instructions
- Be among the first to know about exclusive product promotions

## RECORD THIS INFORMATION

Model Number: \_\_\_\_\_

Date Code: \_\_\_\_\_

Date of Purchase: \_\_\_\_\_  
(Keep receipt)

Store of Purchase: \_\_\_\_\_

**TIP:** The model number is on the rating label behind the dust cup.

**TIP:** The date code is on one of the prongs of the power cord plug.

## TECHNICAL SPECIFICATIONS

Voltage: 120V~, 60Hz

Watts: 680W

**PLEASE READ CAREFULLY AND KEEP FOR FUTURE REFERENCE.**

This Owner’s Guide is designed to help you get a complete understanding of your new Shark Ultralight PowerFins™ Corded Stick Vacuum with Self-Cleaning Brushroll.

SharkNinja Operating LLC  
US: Needham, MA 02494  
CAN: Ville St-Laurent, QC H4S 1A7  
sharkclean.com

Illustrations may differ from actual product. We are constantly striving to improve our products; therefore the specifications contained herein are subject to change without notice.

For SharkNinja U.S. Patent information, visit [sharkninja.com/uspatents](http://sharkninja.com/uspatents)



# ***Shark***

**UltraLight PowerFins™  
Corded Stick Vacuum with  
Self-Cleaning Brushroll**

**Aspirateur-balai à fil ultraléger  
PowerFins™ avec brosse  
rotative autonettoyante**

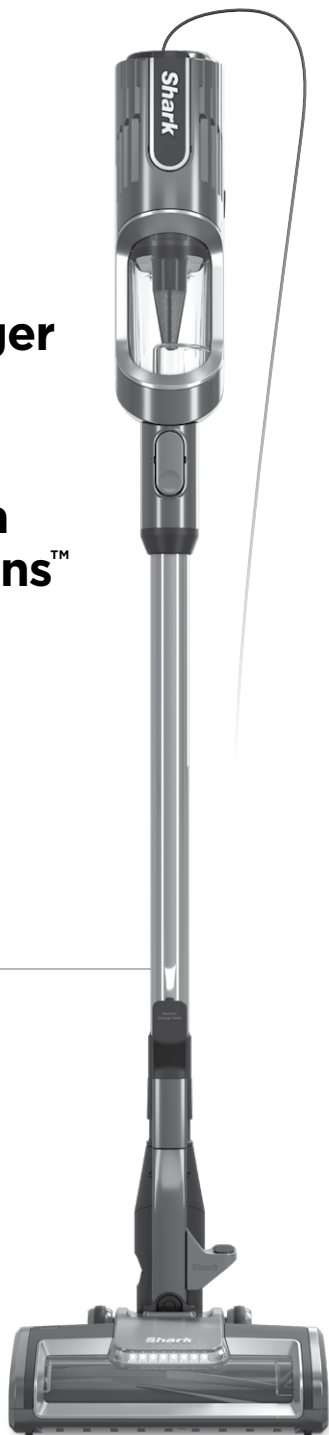
**Aspiradora vertical de varilla  
con cable UltraLight PowerFins™  
con cepillo giratorio de  
autolimpieza**

HZ600 Series • Série • Serie

**OWNER'S GUIDE  
GUIDE DE L'UTILISATEUR  
GUÍA DEL PROPIETARIO**

---

***POWERFINS***™



# IMPORTANT SAFETY INSTRUCTIONS

FOR HOUSEHOLD USE ONLY

## **⚠ WARNING**

To reduce the risk of fire, electric shock, injury, or property damage, when using an electrical appliance, basic precautions should always be followed, including the following:

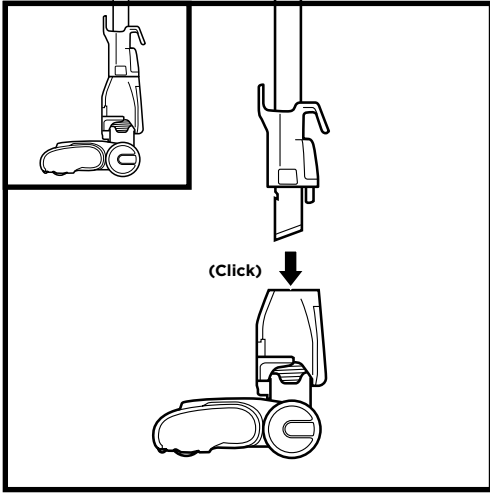
### **READ ALL INSTRUCTIONS BEFORE USING THIS VACUUM**

1. Inspect power cord and plug for any damage before use. **DO NOT** use vacuum cleaner with a damaged cord or plug. Turn off all controls before plugging in or unplugging the vacuum cleaner. Store your vacuum cleaner with the power cord secured around the two cord hooks. To minimize the risk of power cord damage, do not allow the motorized brush roll to ingest the cord. If this occurs, immediately shut off power to the vacuum and remove the cord.
2. This appliance has a polarized plug, if the plug does not fit fully into the outlet, reverse the plug (one blade is wider than the other). If it still does not fit, contact a qualified electrician. **DO NOT** force into outlet or try to modify to fit.
3. Your vacuum cleaner may consist of a motorized nozzle, wand, hose, and/or vacuum pod. This device contains electrical connections, electrical wiring, and moving parts that potentially present risk to the user.
4. Use only identical replacement parts.
5. Carefully observe and follow the instructions provided below to avoid improper use of the appliance. **DO NOT** use the vacuum for any purpose other than those described in this manual.
6. Before use, carefully inspect all parts for any damage. **DO NOT** use if any parts are damaged.
7. The use of an extension cord is **NOT** recommended.
8. This vacuum cleaner contains no serviceable parts.
9. This appliance can be used by persons with reduced physical, sensory or mental capabilities or lack of experience and knowledge if they have been given supervision or instruction concerning use of the appliance in a safe way and understand the hazards involved. Cleaning and user maintenance shall not be made by children. Keep the appliance and its cord out of reach of children. **DO NOT** allow the appliance to be used by children. **DO NOT** allow to be used as a toy. Close supervision is necessary when used near children.
10. Always turn off the vacuum cleaner before connecting or disconnecting any motorized nozzles or other accessories.
11. **DO NOT** handle plug or vacuum cleaner with wet hands.
12. **DO NOT** use without filters in place.
13. Only use Shark® branded filters and accessories.
14. **DO NOT** damage the power cord:
  - a) **DO NOT** pull or carry vacuum cleaner by the cord or use the cord as a handle.
  - b) **DO NOT** unplug by pulling on cord. Grasp the plug, not the cord.
  - c) **DO NOT** run the vacuum cleaner over the power cord, close a door on the cord, pull the cord around sharp corners, or leave the cord near heated surfaces.

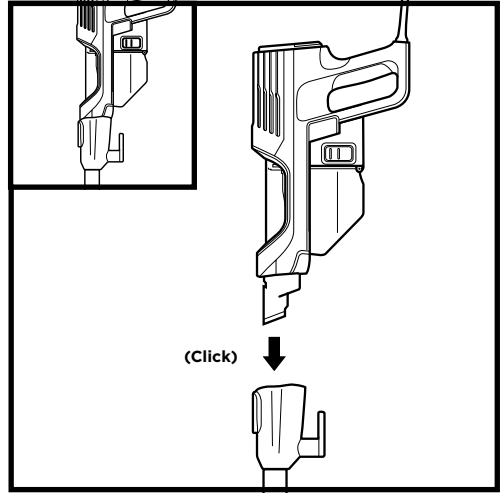
15. **DO NOT** put any objects into nozzle or accessory openings. **DO NOT** use with any opening blocked; keep free of dust, lint, hair, and anything that may reduce airflow.
16. **DO NOT** use if nozzle or accessory airflow is restricted. If the air paths or the motorized floor nozzle become blocked, turn the vacuum cleaner off and unplug from electrical outlet. Remove all obstructions before you plug in and turn on the unit again.
17. Keep nozzle and all vacuum openings away from hair, face, fingers, uncovered feet, or loose clothing.
18. **DO NOT** use if vacuum cleaner is not working as it should, or has been dropped, damaged, left outdoors, or dropped into water.
19. Use extra care when cleaning on stairs.
20. **DO NOT** leave the vacuum cleaner unattended while plugged in.
21. When powered on, keep the vacuum cleaner moving over the carpet surface at all times to avoid damaging the carpet fibers.
22. **DO NOT** place vacuum cleaner on unstable surfaces such as chairs or tables.
23. Your Shark® vacuum may not be designed to stand up on its own. When taking a break from cleaning, you may need to lean it against furniture or a wall, or lay it flat on the floor. Using the vacuum for an application where the unit lacks stability may result in personal injury.
24. **DO NOT** use to pick up:
  - a) Liquids
  - b) Large objects
  - c) Hard or sharp objects (glass, nails, screws, or coins)
  - d) Large quantities of dust (drywall dust, fireplace ash, or embers). **DO NOT** use as an attachment to power tools for dust collection.
  - e) Smoking or burning objects (hot coals, cigarette butts, or matches)
  - f) Flammable or combustible materials (lighter fluid, gasoline, or kerosene)
  - g) Toxic materials (chlorine bleach, ammonia, or drain cleaner)
25. **DO NOT** use in the following areas:
  - a) Poorly lit areas
  - b) Wet or damp surfaces
  - c) Outdoor areas
  - d) Spaces that are enclosed and may contain explosive or toxic fumes or vapors (lighter fluid, gasoline, kerosene, paint, paint thinners, mothproofing substances, or flammable dust)
26. Turn off all controls before plugging in or unplugging the vacuum.
27. Unplug from electrical outlet when not in use and before any maintenance or cleaning.
28. Hand wash with water only. Washing with cleaning chemicals could damage the unit.
29. During cleaning or routine maintenance, **DO NOT** cut anything other than hair, fibers, or string wrapped around the brushroll.
30. Allow all filters to air-dry completely before replacing in the vacuum to prevent liquid from being drawn into electric parts.
31. Make sure the dust cup and all filters are in place after routine maintenance.
32. If provided, secure the power cord around the two cord hooks during storage.

## SAVE THESE INSTRUCTIONS

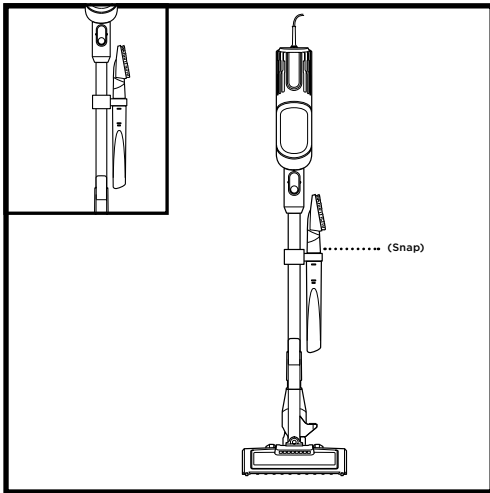
## ASSEMBLY



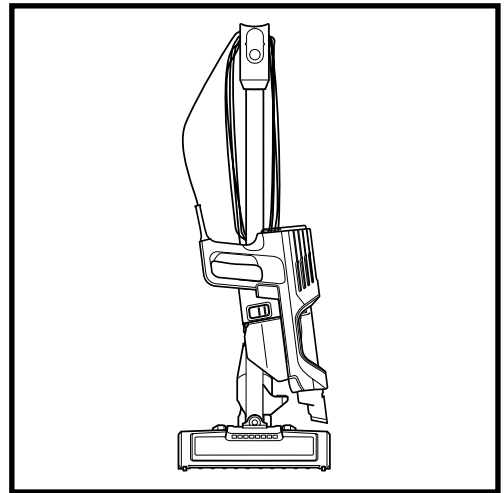
1. Insert **Wand** into **Floor Nozzle**.



2. Insert **Handheld Vacuum** into wand.

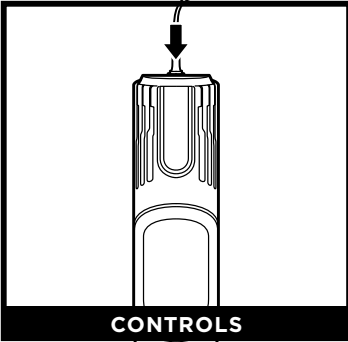


3. Snap the **Onboard Storage Clip** onto the wand, then place accessories in the holder. Ensure all connections click securely into place.

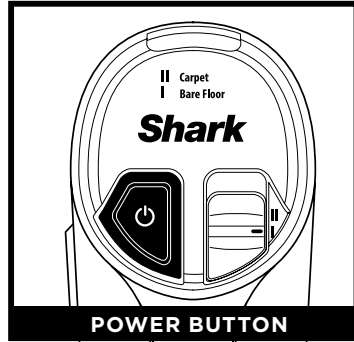


4. For compact storage, hang the handheld vacuum from the **Storage Hook** on the wand.

## SETTINGS

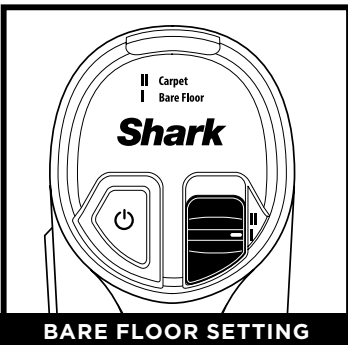


The control panel is located on top of the handheld vacuum.

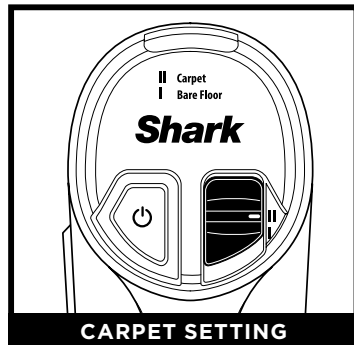


### Power Button

Press the Power button to begin vacuuming. Press again to turn off power.



Slide the floor select button to setting I to clean bare floors and small area rugs. The brushroll spins slowly in this setting.



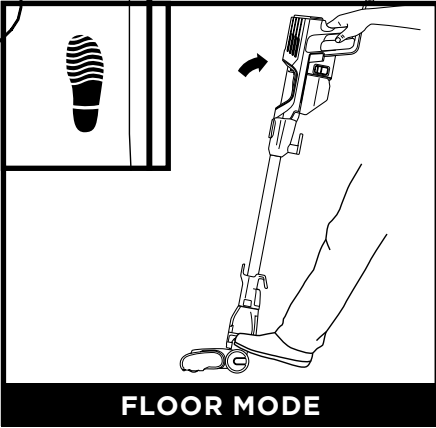
Slide the floor select button to setting II to clean carpets. In this setting, the brushroll spins faster to pick up debris below the surface of your carpets.

**NOTE:** Press the floor select button to toggle between Bare Floor and Carpet settings.

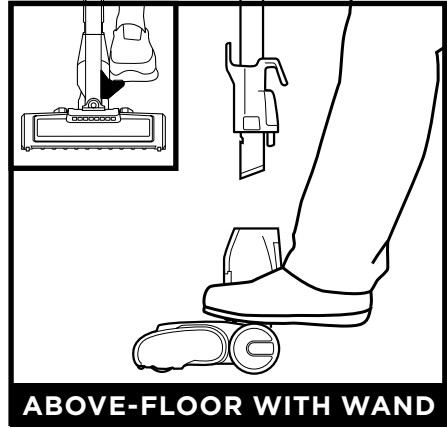
**NOTE:** For deep cleaning per ASTM F 608 (embedded dirt in carpets) please use the Carpet setting.

**NOTE:** Select Carpet for stuck-on dust and debris.

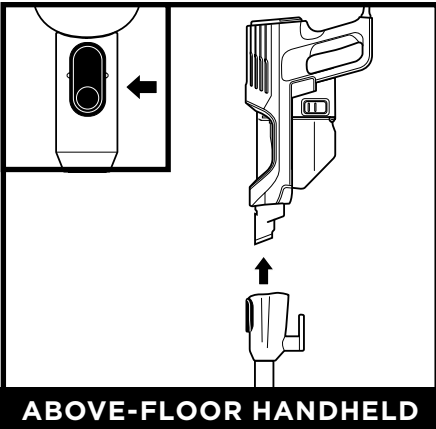
## CLEANING MODES



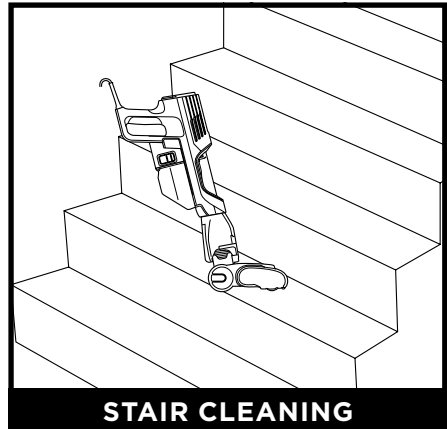
To clean floors, step on floor nozzle and tilt handheld vacuum back.



For more reach, detach the wand. Stand the vacuum upright, step on the **Foot Pedal** on the side of the nozzle, and pull up the wand to detach.



To detach the handheld vacuum, press the **Wand Release** button and lift the handheld vacuum off the wand. Great for cleaning stairs, furniture, and countertops.

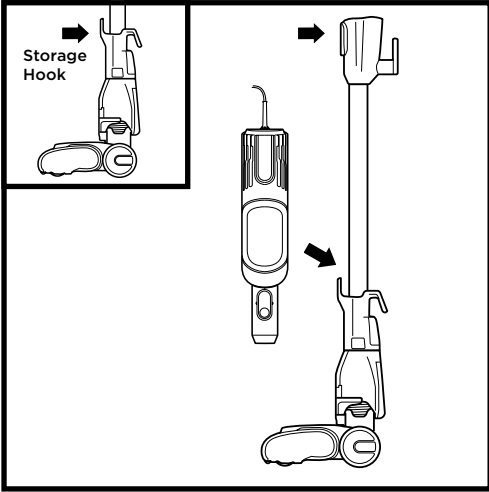


To clean stairs or other narrow spaces, attach the handheld vacuum to the floor nozzle.

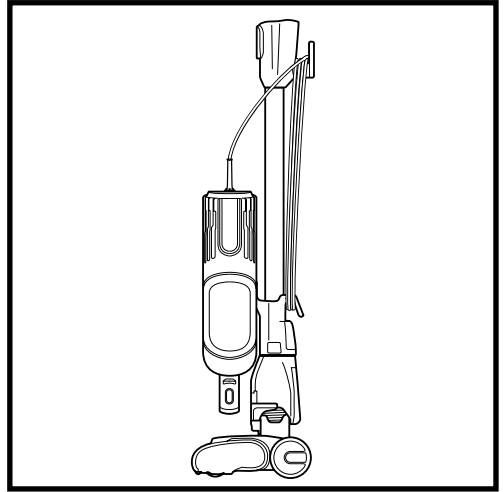
**NOTE:** All accessories are compatible with both the wand and the handheld vacuum.

## STORAGE MODE

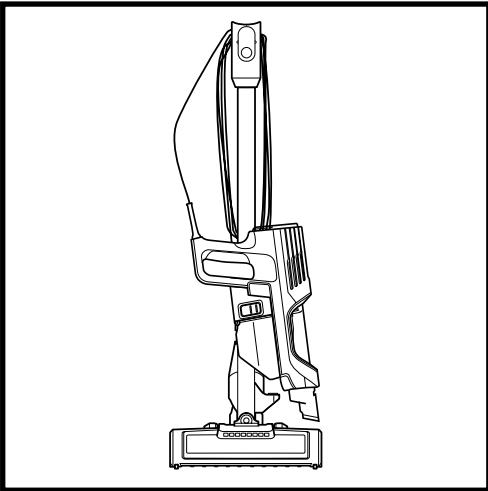
### HANDHELD STORAGE HOOK



Press the **Wand Release** button near the top of the wand to detach the handheld vacuum. Align the **Catch** on the side of the handheld vacuum with the **Storage Hook** on the wand, then hang the handheld vacuum from the hook.



Wrap the cord around the two cord hooks. Start with the top hook, and leave a little slack in the cord.



## AVAILABLE ACCESSORIES

**NOTE:** Not all accessories come with all units. For a list of the accessories included with this model, see the top inside flap of the box. To order additional accessories, visit [sharkaccessories.com](http://sharkaccessories.com).

**A Crevice Tool**

This slim tool is great for cleaning in tight spaces, between couch cushions, and in hard-to-reach areas. A longer crevice tool is available at [sharkaccessories.com](http://sharkaccessories.com).

**B Pet Crevice Tool**

This versatile, slender 8" tool removes pet hair from hard-to-reach spaces like corners, stairs, and between couch cushions.

**C Upholstery Tool**

Picks up pet hair, dust, and large debris from mattresses, couches, curtains, and other delicate upholstered fabrics.

**D Dusting Brush**

This brush dusts and cleans delicate surfaces. Great for use on fans, blinds, lampshades, and keyboards.

**E Pet Multi-Tool**

A single convertible tool for cleaning tough pet messes two ways: use the stiff bristle brush to clean stuck-on debris, or take off the bristles to reveal an upholstery tool perfect for removing stubborn pet hair and large piles of debris.

**F Duster Crevice Tool**

Two cleaning tools in one. The crevice tool gives you extended reach to clean in tight spaces, while the soft brush is ideal for dusting delicate surfaces.

**G Anti-Allergen Dust Brush**

This brush features nylon fiber bristles specifically designed for removing fine dust and allergen particles from the most delicate surfaces.

**H Self-Cleaning Pet Power Brush**

Tackles pet hair and ground-in dirt from above-floor areas like carpeted stairs and upholstery, while actively removing hair wrap as it cleans.

**I Precision Duster**

This flexible tube features a micro-duster crevice tool on the end for cleaning around delicate objects and in difficult-to-reach spots like car interiors and computer keyboards.

**J Under-Appliance Wand**

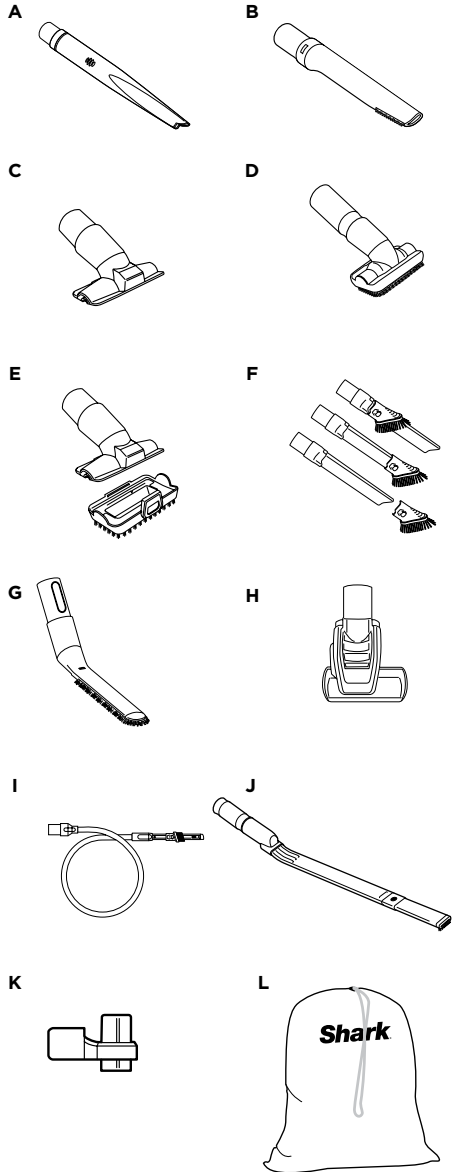
Clean under and behind hard-to-move appliances and furniture with this adjustable 36" tool. Flip the extension piece over to clean the underside of appliances.

**K Onboard Storage Clip**

This removable clip attaches to your vacuum. The clip can store up to two accessories at a time while you clean.

**L Accessory Bag (Large, 32cm x 70 cm)**

This convenient accessory storage bag measures 32 cm x 70 cm and fits the Under-Appliance Wand. Smaller size available at [sharkaccessories.com](http://sharkaccessories.com)



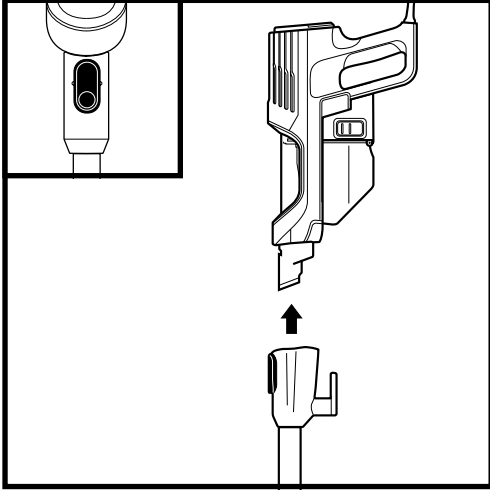


## MAINTENANCE

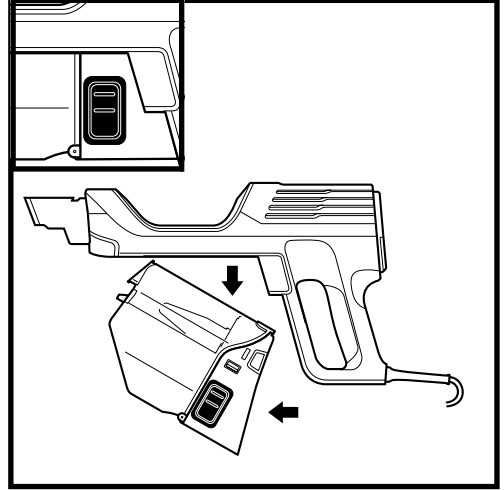
**IMPORTANT:** Unplug the vacuum before performing any maintenance.

### EMPTYING THE DUST CUP

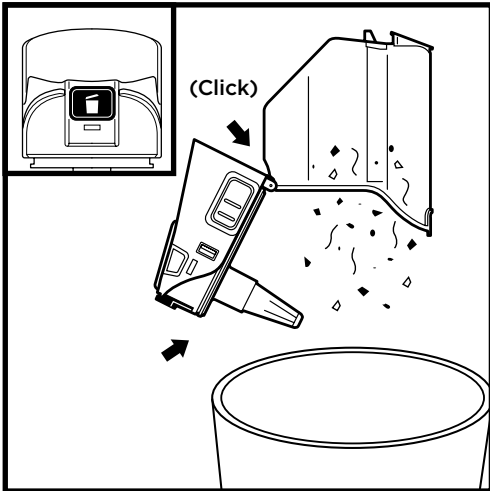
Empty the dust cup each time you vacuum and periodically during cleaning, when debris in the dust cup reaches the MAX fill line.



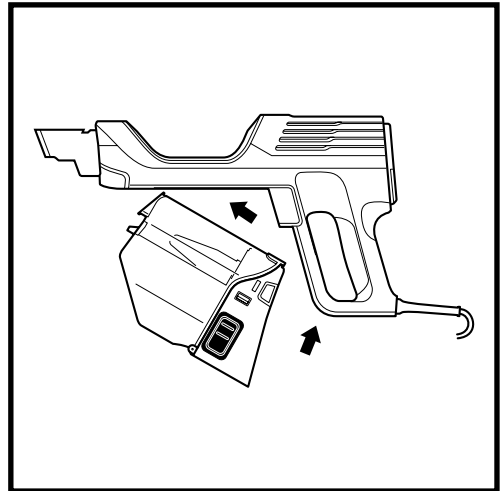
Press the **Wand Release** button and lift off the handheld vacuum.



To remove the dust cup from the handheld vacuum, press the two **Dust Cup Release** buttons at the same time and slide out the dust cup.



Hold the dust cup over the trash. Press the **Empty** button and pull open the dust cup lid until it clicks and locks in the open position. Gently tap the cone-shaped screen inside the dust cup to knock dust and debris into the trash.



To reinstall, push the lid closed, then insert the front end of the dust cup into the handheld vacuum first, then the back end, until it clicks into place.

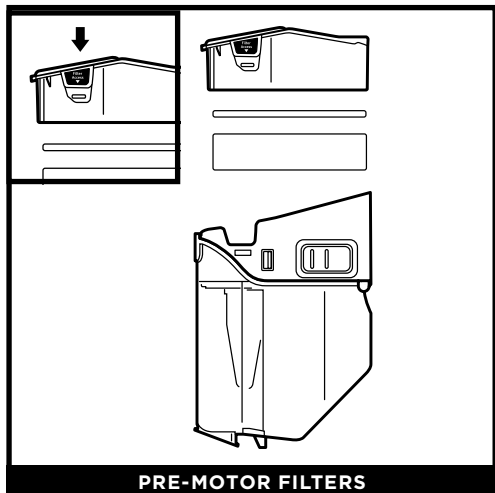
## MAINTENANCE

**IMPORTANT:** Unplug the vacuum before performing any maintenance.

### CLEANING FILTERS

**Regularly rinse and replace the filters to maintain your vacuum's suction power.**

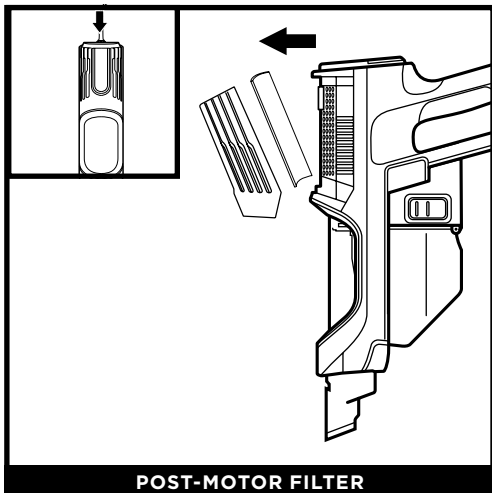
To prevent damage from cleaning chemicals, rinse filters with cold water only. Do not use soap. Allow all filters to air-dry for at least 24 hours before reinstalling them to prevent liquid from being drawn into electronic parts.



**PRE-MOTOR FILTERS**

With the dust cup detached, press the Filter Access buttons on both sides of the back of the dust cup, then pull out the filter housing. Pull the foam filter out of the housing, then lift out the felt filter by the pull tab.

The **Pre-Motor Filters** should be washed once a month.



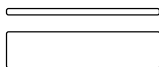
**POST-MOTOR FILTER**

To access the post-motor filter, press the release latch on the filter cover on the handheld vacuum. Remove the cover and lift out the filter.

The **Post-Motor Filter** should be washed once every 9 months.

### REPLACEMENT FILTERS

**Replacement Pre-Motor Filter Kit**  
XFFKHZ2000



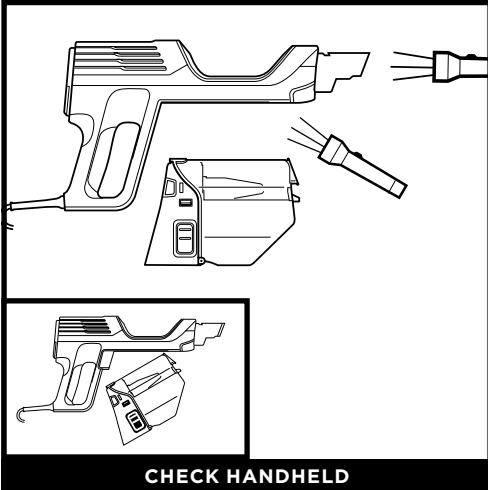
**Replacement Post-Motor Filter**  
XPMFHZ2000



**NOTE:** The pre-motor filters should be replaced every 2.5 years. The post-motor filter should be replaced every 3 years.

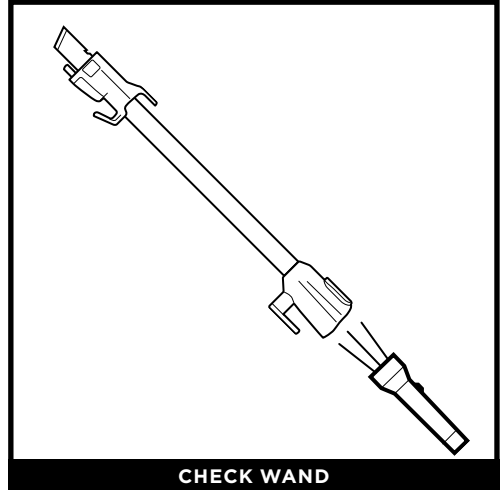
## MAINTENANCE

### CHECKING FOR BLOCKAGES



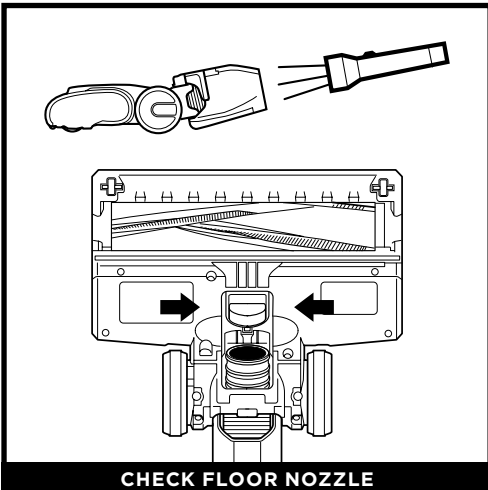
**CHECK HANDHELD**

Remove the handheld vacuum from the wand and check all dust cup intake openings for debris or blockages.



**CHECK WAND**

Detach the wand and check it for blockages.



**CHECK FLOOR NOZZLE**

Detach the wand, then tilt the floor nozzle **Debris Intake** back and check openings for blockages.

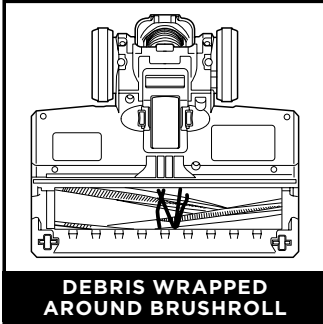
## MAINTENANCE

### NOZZLE MAINTENANCE

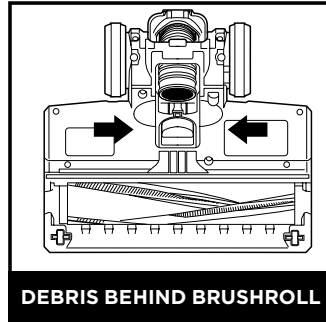
#### SELF-CLEANING BRUSHROLL

If you run over a hard or sharp object or notice a noise change while vacuuming, check for blockages or objects caught in the brushroll.

If some fibers remain wrapped around the brushroll after continued use, clear them from the brushroll.

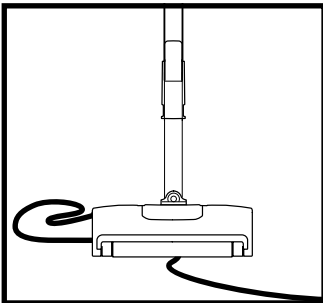


Clean off any debris on the brushroll.



Check the Debris intake and clear away any dirt or blockages. To close the cover, push down until it clicks into place.

### CORD MAINTENANCE



1. **DO NOT** pull or carry vacuum cleaner by the cord or use cord as a handle.
2. **DO NOT** unplug by pulling on the cord. Grasp the plug, not the cord.
3. **DO NOT** close the door on the cord.
4. **DO NOT** pull the cord around sharp corners.
5. **DO NOT** leave the cord near heated surfaces.

To minimize the risk of power cord damage, **DO NOT** run the vacuum over the power cord. If this occurs, immediately shut off power to the vacuum and remove the cord from the brushroll or nozzle.

**NOTE:** For best performance, keep the Soft Roller clean with regular maintenance.

### **Power cord caught in brushroll or floor nozzle.**

- To minimize the risk of power cord damage, DO NOT run the vacuum over the power cord. If this occurs, immediately shut off power to the vacuum and remove the cord from the brushroll or nozzle.
- Inspect power cord and plug for any damage before use. DO NOT use vacuum cleaner with a damaged cord or plug. Turn off all controls before plugging in or unplugging the vacuum cleaner. Store your vacuum cleaner with the power cord secured around the two cord hooks.

### **Vacuum is not picking up debris. No suction or light suction.**

#### **See Maintenance section for more information.**

- Empty the dust cup. Check filters to see if they need cleaning. Follow instructions for rinsing and completely air-drying the filters before reinstalling them.
- Clear any blockages in the nozzle, wand, handheld vacuum, or accessories. See Checking for Blockages section for more information.
- If any string, hair, or carpet fibers remain wrapped around the brushroll after continued use, carefully clear them away.
- Remove any blockages from the debris intake in the floor nozzle. Pinch the tabs on the bottom of the nozzle to open the cover, and lift up the intake tube. Clear blockages, then push the tube down and press the nozzle cover closed.

### **Vacuum lifts area rugs.**

- Suction is powerful. Take care when vacuuming area rugs or rugs with delicately sewn edges.
- Turn off the unit to disengage the brushroll. To restart, press the power button on the handle.

**NOTE:** Clean area rugs in Bare Floor mode or with accessories. See Available Accessories section.

### **Vacuum turns off on its own or the indicator light flashes red.**

If your vacuum overheats, the thermostat will automatically turn off the motor. Perform the following

steps to restart:

1. Turn off the vacuum and unplug it.
2. Empty the dust cup and clean the filters. See Emptying the Dust Cup and Cleaning Filters sections.
3. Check for blockages in the wand, floor nozzle, handheld vacuum, inlet openings, and accessories.
4. Reassemble the entire vacuum and ensure all parts click into place.
5. Allow unit to cool for a minimum of 60 minutes.
6. Plug in vacuum and turn it on.

### **Handheld vacuum is warm.**

Due to the strong suction power of the vacuum, it is normal for the area around the filter exhaust to become warm during and after use. Turn off the vacuum and wait 10 minutes for it to cool down. If it still feels warm, clean the pre-motor and post-motor filters. See Maintenance section for filter cleaning instructions.

## FIVE (5) YEAR LIMITED WARRANTY

The Five (5) Year Limited Warranty applies to purchases made from authorized retailers of **SharkNinja Operating LLC**. Warranty coverage applies to the original owner and to the original product only and is not transferable.

SharkNinja warrants that the unit shall be free from defects in material and workmanship for a period of five (5) years from the date of purchase when it is used under normal household conditions and maintained according to the requirements outlined in the Owner's Guide, subject to the following conditions and exclusions:

### What is covered by this warranty?

1. The original unit and/or non-wearable components deemed defective, in SharkNinja's sole discretion, will be repaired or replaced up to five (5) years from the original purchase date.
2. In the event a replacement unit is issued, the warranty coverage ends six (6) months following the receipt date of the replacement unit or the remainder of the existing warranty, whichever is later. SharkNinja reserves the right to replace the unit with one of equal or greater value.

### What is not covered by this warranty?

1. Normal wear and tear of wearable parts (such as foam filters, HEPA filters, pads, etc.), which require regular maintenance and/or replacement to ensure the proper functioning of your unit, are not covered by this warranty. Replacement parts are available for purchase at [sharkaccessories.com](http://sharkaccessories.com).
2. Any unit that has been tampered with or used for commercial purposes.
3. Damage caused by misuse (e.g., vacuuming up water or other liquids), abuse, negligent handling, failure to perform required maintenance (e.g., not cleaning the filters), or damage due to mishandling in transit.
4. Consequential and incidental damages.
5. Defects caused by repair persons not authorized by SharkNinja. These defects include damages caused in the process of shipping, altering, or repairing the SharkNinja product (or any of its parts) when the repair is performed by a repair person not authorized by SharkNinja.
6. Products purchased, used, or operated outside North America.

### How to get service

If your appliance fails to operate properly while in use under normal household conditions within the warranty period, visit [sharkclean.com/support](http://sharkclean.com/support) for product care and maintenance self-help. Our Customer Service Specialists are also available at **1-800-798-7398** to assist with product support and warranty service options, including the possibility of upgrading to our VIP warranty service options for select product categories.

SharkNinja will cover the cost for the customer to send in the unit to us for repair or replacement. A fee of \$25.95 (subject to change) will be charged when SharkNinja ships the repaired or replacement unit.

### How to initiate a warranty claim

You must call **1-800-798-7398** to initiate a warranty claim. You will need the receipt as proof of purchase. A Customer Service Specialist will provide you with return and packing instruction information.

### How state law applies

This warranty gives you specific legal rights, and you also may have other rights that vary from state to state. Some states do not permit the exclusion or limitation of incidental or consequential damages, so the above may not apply to you.

## REGISTER YOUR PURCHASE



registeryourshark.com



Scan QR code using  
mobile device



Benefits of registering your product and creating an account:

- Get easier, faster product support and access to warranty information
- Access troubleshooting and product care instructions
- Be among the first to know about exclusive product promotions

## RECORD THIS INFORMATION

Model Number: \_\_\_\_\_

Date Code: \_\_\_\_\_

Date of Purchase: \_\_\_\_\_  
(Keep receipt)

Store of Purchase: \_\_\_\_\_

**TIP:** The model number is on the rating label behind the dust cup.

**TIP:** The date code is on one of the prongs of the power cord plug.

## TECHNICAL SPECIFICATIONS

Voltage: 120V~, 60Hz

Watts: 680W

# CONSIGNES DE SÉCURITÉ IMPORTANTES

## POUR USAGE DOMESTIQUE SEULEMENT

### **⚠ AVERTISSEMENT**

**Pour réduire le risque d'incendie, de décharge électrique, de blessure ou de dommages matériels lors de l'utilisation d'un appareil électrique, il faut toujours suivre les précautions de base suivantes :**

#### **LISEZ TOUTES LES INSTRUCTIONS AVANT D'UTILISER CET ASPIRATEUR**

1. Inspectez le cordon d'alimentation et la fiche pour déceler d'éventuels dommages avant l'utilisation.  
**N'UTILISEZ PAS** l'aspirateur si le cordon d'alimentation ou la fiche sont endommagés. Fermez toutes les commandes avant de brancher ou de débrancher l'aspirateur. Rangez l'aspirateur en prenant soin d'enrouler le cordon d'alimentation autour des deux crochets à cordon. Pour minimiser le risque d'endommager le cordon d'alimentation, ne laissez pas la brosse rotative motorisée ingérer le cordon. Si cela se produit, coupez immédiatement l'alimentation de l'aspirateur et retirez le cordon.
2. Cet appareil est muni d'une fiche polarisée. Si la fiche ne s'insère pas complètement dans la prise électrique, inversez la fiche (une lame est plus large que l'autre). Si elle ne s'insère toujours pas, communiquez avec un électricien qualifié. **NE FORCEZ PAS** pour insérer la fiche dans la prise et ne tentez pas de la modifier.
3. Votre aspirateur pourrait être composé d'une buse motorisée, d'un tube, d'un tuyau ou d'un réceptacle. Cet appareil comporte des raccords électriques, du filage électrique et des pièces amovibles pouvant exposer l'utilisateur à certains risques.
4. Utilisez uniquement des pièces de rechange identiques.
5. Respectez et suivez attentivement les instructions ci-dessous afin d'éviter tout usage inadéquat de l'appareil.  
**N'UTILISEZ PAS** l'aspirateur pour un usage autre que ceux décrits dans le présent manuel.
6. Avant d'utiliser l'appareil, inspectez soigneusement toutes les pièces afin de déceler tout dommage. **NE L'UTILISEZ PAS** s'il est endommagé.

7. L'utilisation d'une rallonge électrique **N'EST PAS** recommandée.
8. Cet aspirateur ne contient aucune pièce pouvant être réparée par l'utilisateur.

#### **AVERTISSEMENTS CONCERNANT L'UTILISATION**

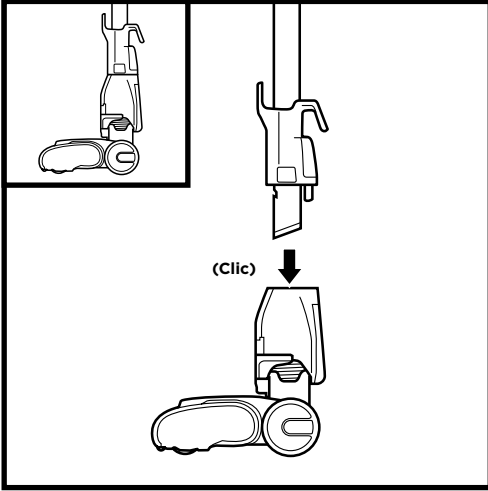
9. Cet appareil peut être utilisé par des personnes dont les capacités physiques, sensorielles ou mentales sont réduites ou qui manquent d'expérience et de connaissances seulement si elles ont été supervisées ou instruites par rapport à l'utilisation sécuritaire de l'appareil et si elles comprennent les dangers possibles. Les enfants ne peuvent pas nettoyer ni entretenir l'appareil. Gardez l'appareil et son câble hors de la portée des enfants. **NE LAISSEZ PAS** les enfants se servir de l'appareil. **NE PERMETTEZ PAS** de l'utiliser comme un jouet. Une surveillance étroite est nécessaire lorsque l'appareil est utilisé en présence d'enfants.
10. Mettez toujours l'aspirateur hors tension avant d'attacher ou de détacher la buse motorisée ou un autre accessoire.
11. **NE MANIPULEZ PAS** la fiche ou l'aspirateur avec les mains mouillées.
12. **N'UTILISEZ PAS** l'appareil si les filtres ne sont pas en place.
13. Utilisez uniquement des filtres et des accessoires de marque Shark®.
14. **N'ENDOMMAGEZ PAS** le cordon d'alimentation :
  - a) **N'UTILISEZ PAS** le cordon d'alimentation comme poignée pour transporter ou pour tirer l'aspirateur.
  - b) **NE DÉBRANCHEZ PAS** l'appareil en tirant sur le cordon d'alimentation. Agrippez la fiche et non le cordon d'alimentation.
  - c) **NE PASSEZ PAS** l'aspirateur sur le cordon d'alimentation, ne fermez pas de porte sur le cordon, ne tendez pas le cordon sur des coins pointus et ne laissez pas le cordon près de surfaces chaudes.



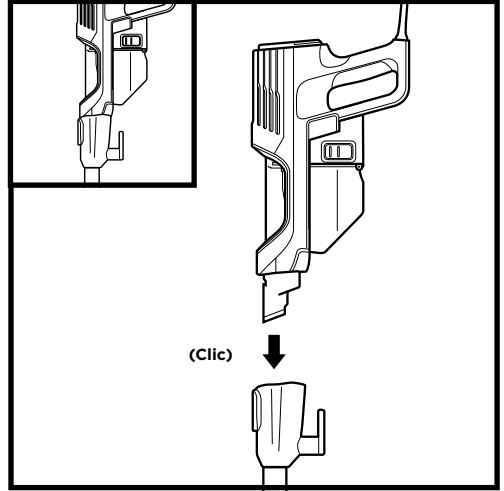
15. **ÉVITEZ** d'insérer des objets dans les ouvertures de la buse ou de tout autre accessoire. **N'UTILISEZ PAS** l'appareil si une ouverture est obstruée. Veillez à ce que les ouvertures ne soient pas bloquées par de la poussière, de la peluche, des cheveux ou tout autre élément qui pourrait gêner la circulation de l'air.
  16. **N'UTILISEZ PAS** l'appareil si le flux d'air de la buse ou de l'accessoire est obstrué. Si la buse de plancher motorisée ou les conduits d'air deviennent obstrués, éteignez l'aspirateur et débranchez-le de la prise de courant. Retirez toute obstruction avant de remettre l'appareil en marche.
  17. Tenez la buse et tous les orifices de l'aspirateur éloignés des cheveux, du visage, des doigts, des pieds déchaussés ou de vêtements amples.
  18. **N'UTILISEZ PAS** l'aspirateur s'il ne fonctionne pas comme prévu, ou s'il a été échappé sur le sol, endommagé, laissé à l'extérieur ou immergé.
  19. Soyez extrêmement prudent lorsque vous nettoyez les escaliers.
  20. **NE LAISSEZ PAS** l'aspirateur sans surveillance lorsqu'il est branché.
  21. Lorsqu'il est en marche, gardez l'aspirateur en mouvement sur le tapis en tout temps, afin d'éviter d'endommager les fibres du tapis.
  22. **NE PLACEZ PAS** l'aspirateur sur des surfaces instables comme des chaises ou des tables.
  23. Votre aspirateur Shark® pourrait ne pas avoir été conçu pour se maintenir de lui-même en position verticale. Lorsque vous prenez une pause, vous devrez peut-être l'appuyer contre un meuble ou un mur, ou le placer sur le plancher. Toute utilisation où l'aspirateur serait dans une position instable pourrait entraîner des blessures corporelles.
  24. **N'UTILISEZ PAS** l'appareil pour aspirer :
    - a) Des liquides
    - b) Des objets de grande taille
    - c) Des objets durs ou tranchants (verre, clous, vis ou pièces de monnaie)
  - d) De grandes quantités de poussière (poussière de cloison sèche, cendres ou braises de foyer). **N'UTILISEZ PAS** l'aspirateur comme accessoire pour un outil électrique pour l'aspiration de la poussière.
  - e) Des objets fumants ou brûlants (charbons ardents, mégots de cigarettes ou allumettes)
  - f) Des matériaux inflammables ou combustibles (essence à briquet, essence ou kérosène)
  - g) Des matières toxiques (eau de Javel, ammoniac ou produit débouchant)
25. **N'UTILISEZ PAS** l'appareil dans les endroits suivants :
    - a) Les endroits faiblement éclairés
    - b) Les surfaces humides ou mouillées
    - c) À l'extérieur
    - d) Endroits fermés pouvant contenir des matières explosives ou des fumées ou des vapeurs toxiques (essence à briquet, essence, kérosène, peinture, diluants à peinture, produits de traitement antimite ou poussières inflammables)
  26. Fermez toutes les commandes avant debrancher ou de débrancher l'aspirateur.
  27. Débranchez l'appareil de la prise murale lorsqu'il n'est pas en usage, et avant d'en faire l'entretien ou de le nettoyer.
  28. Lavez à la main avec de l'eau seulement. L'utilisation de produits chimiques de nettoyage pourrait endommager l'appareil.
  29. Pendant le nettoyage ou l'entretien, **NE COUPEZ AUCUNE** matière autre que des cheveux, des fibres ou de la ficelle enroulés autour de la brosse rotative.
  30. Laissez tous les filtres sécher complètement avant de les remettre dans l'aspirateur pour éviter que du liquide ne soit aspiré dans les composants électriques.
  31. Après avoir effectué l'entretien de routine, assurez-vous que le récipient à poussière et tous les filtres sont en place.
  32. Le cas échéant, fixez le cordon d'alimentation autour des deux crochets avant de ranger l'appareil.

# CONSERVEZ CES INSTRUCTIONS

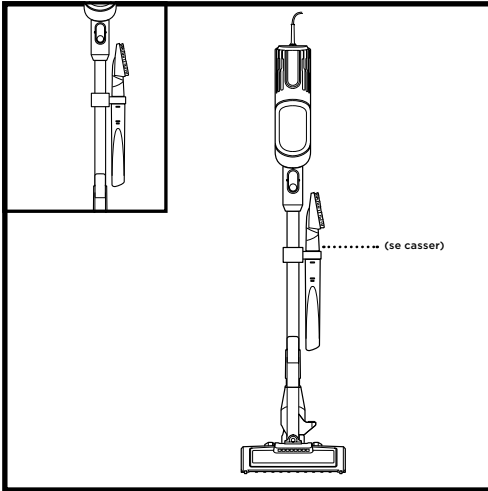
## ASSEMBLAGE



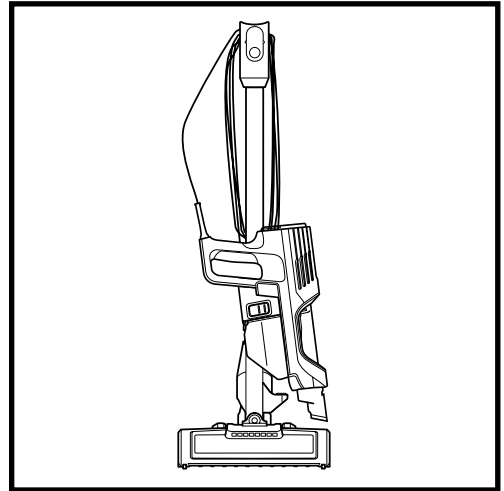
1. Insérez le **tube** dans la **buse de plancher**.



2. Insérez l'**aspirateur portatif** dans le tube.

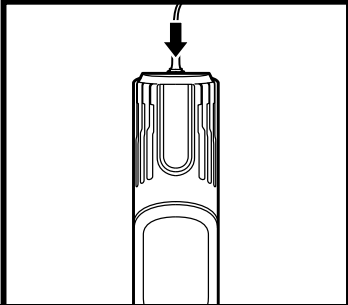


3. Enclenchez l'**attache de rangement intégrée** sur le tube, puis placez les accessoires sur le support.  
Assurez-vous que tous les raccords sont bien enclenchés.



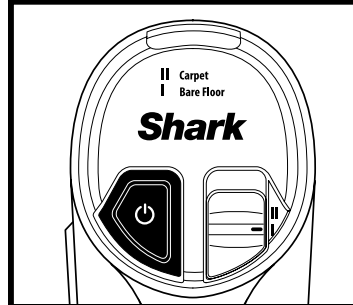
4. Pour un rangement compact, suspendez l'**aspirateur portatif** par le **crochet de rangement** sur le tube.

## RÉGLAGES



### COMMANDES

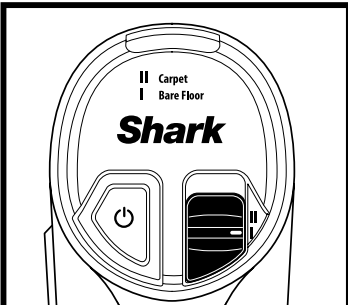
Le panneau de commande se trouve sur le dessus de l'aspirateur portatif.



### BOUTON POWER (MISE EN MARCHÉ)

#### Bouton Power (mise en marche)

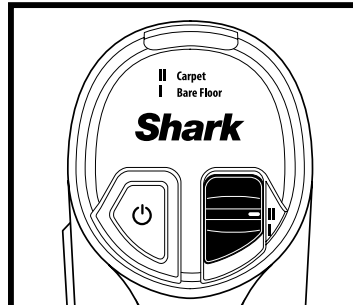
Appuyez sur le bouton de mise en marche pour commencer à passer l'aspirateur. Appuyez de nouveau pour l'arrêter. Appuyez sur le bouton FLOOR TYPE (type de plancher) pour alterner entre les réglages pour planchers et tapis.



### RÉGLAGE POUR PLANCHERS

#### Plancher/Carpettes

Lorsqu'il est mis en marche, l'aspirateur est en mode Bare Floor (plancher). Dans ce mode, les rouleaux des brosses rotatives tournent lentement pour nettoyer les planchers et les carpettes.



### RÉGLAGE POUR TAPIS

#### Tapis

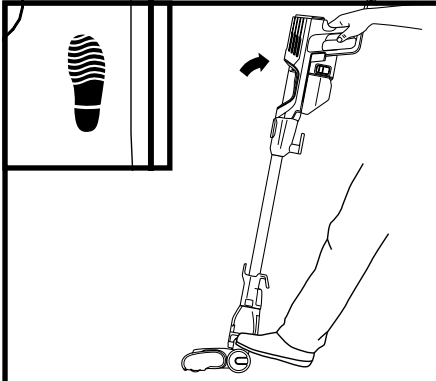
Appuyez sur FLOOR TYPE (type de plancher) pour passer au réglage Carpet (tapis). Les brosses rotatives tournent rapidement pour aspirer les débris incrustés dans les tapis.

**REMARQUE :** Utilisez le sélecteur de surface pour alterner entre les réglages Bare Floor (plancher) et Carpet (tapis).

**REMARQUE :** Pour un nettoyage en profondeur conformément à la norme ASTM F 608 (saleté incrustée dans les tapis), veuillez utiliser le réglage Carpet (tapis).

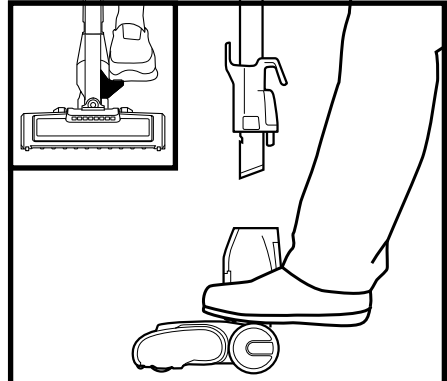
**REMARQUE :** Sélectionnez le mode Carpet (tapis) pour la poussière et les débris collés.

## MODES DE NETTOYAGE



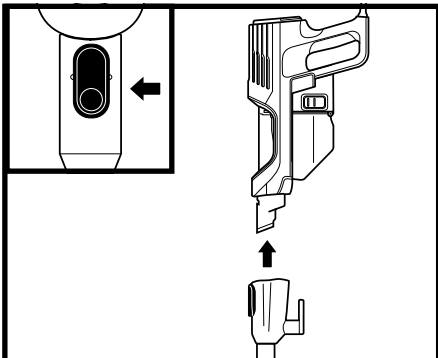
### MODE POUR PLANCHERS

Pour nettoyer les planchers, appuyez sur la buse de plancher et inclinez vers l'arrière l'aspirateur portatif.



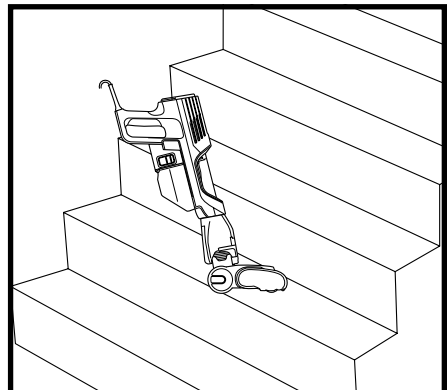
### AU-DESSUS DU SOL AVEC LE TUBE

Pour élargir votre portée, détachez le tube. Pour détacher le tube, placez l'aspirateur en position debout, appuyez sur la **pédale** sur le côté de la buse et tirez le tube vers le haut.



### AU-DESSUS DU SOL AVEC L'ASPIRATEUR PORTATIF

Pour détacher l'aspirateur portatif, appuyez sur le bouton **Wand Release** (dégagement du tube) et soulevez l'aspirateur portatif pour le retirer du tube. Idéal pour nettoyer les escaliers, les meubles et les comptoirs.



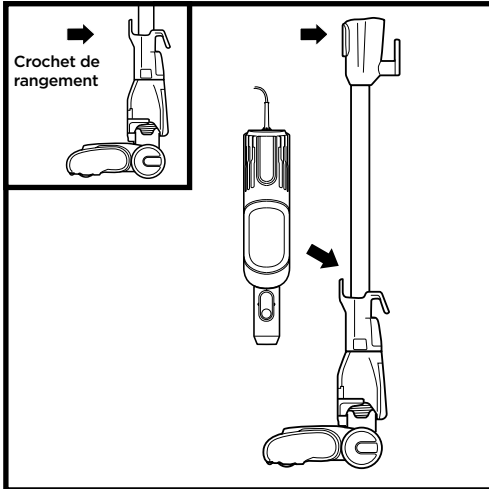
### NETTOYAGE DES ESCALIERS

Pour nettoyer les escaliers ou les autres espaces étroits, fixez l'aspirateur portatif à la buse de plancher.

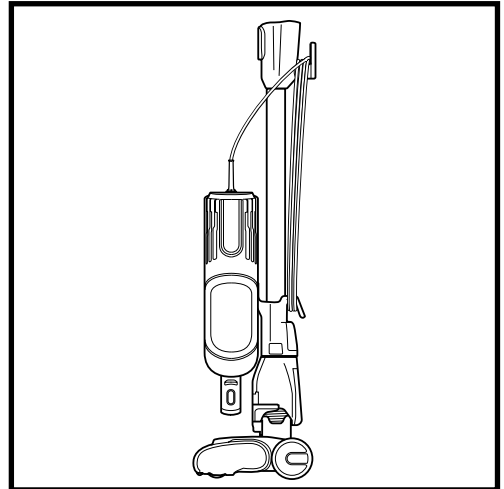
**REMARQUE :** Tous les accessoires sont compatibles avec le tube et l'aspirateur portatif.

## MODE RANGEMENT

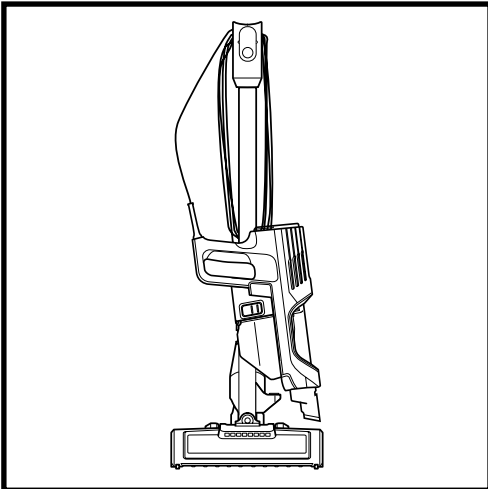
### CROCHET DE RANGEMENT DE L'ASPIRATEUR PORTATIF



Appuyez sur le bouton **Wand Release** (dégagement du tube) situé près de la partie supérieure du tube pour dégager l'aspirateur portable. Alignez le **collecteur** sur le côté de l'aspirateur portable avec le **crochet de rangement** sur le tube, puis suspendez l'aspirateur portable sur le crochet.



Enroulez le câble d'alimentation autour des deux crochets. Commencez par le crochet supérieur et laissez un peu de jeu dans le fil.



## ACCESSOIRES DISPONIBLES

**REMARQUE :** Tous les accessoires ne sont pas fournis avec tous les appareils. Pour une liste des accessoires inclus avec ce modèle, consultez le rabat intérieur supérieur de la boîte. Pour acheter des accessoires supplémentaires, consultez le site [sharkaccessories.com](http://sharkaccessories.com).

### **A** Suceur plat

Cet outil mince est parfait pour nettoyer les espaces restreints, entre les coussins du divan et les zones difficiles à atteindre. Un suceur plat plus long est offert à [sharkaccessories.com](http://sharkaccessories.com).

### **B** Suceur plat pour poils d'animaux de compagnie

Cet outil polyvalent et effilé de 20 cm enlève les poils d'animaux des endroits difficiles d'accès comme les coins, les plafonds et entre les coussins.

### **C** Outil à meubles

Enlève les poils d'animaux, la poussière et les gros débris des matelas, des canapés, des rideaux et des autres surfaces délicates en tissu rembourré.

### **D** Brosse à épousseter

Cette brosse époussette et nettoie les surfaces délicates. Elle est parfaite pour nettoyer les ventilateurs, les stores, les abat-jours et les claviers.

### **E** Accessoire polyvalent pour les poils d'animaux de compagnie

Un seul outil convertible pour nettoyer les dégâts des animaux de compagnie de deux manières : utilisez la brosse à poils rigides pour nettoyer les débris tenaces, ou retirez la brosse à poils pour révéler un outil à meubles parfait pour nettoyer les poils d'animaux tenaces et les amas de débris.

### **F** Outil suceur plat avec brosse à épousseter

Deux accessoires pour le nettoyage en un. Le suceur plat vous permet de mieux atteindre des espaces restreints à nettoyer, tandis que la brosse douce à épousseter est parfaite pour nettoyer des surfaces délicates.

### **G** Brosse à épousseter anti-allergène

Cette brosse est dotée de poils de fibres de nylon spécialement conçus pour enlever la poussière fine et les particules allergènes des surfaces les plus délicates.

### **H** Brosse motorisée autonettoyante pour les poils d'animaux

S'attaque aux poils d'animaux domestiques et à la saleté incrustée dans les zones surélevées, comme les marches recouvertes de tapis et les meubles en tissu, tout en retirant activement les poils qui s'enroulent pendant qu'elle nettoie.

### **I** Brosse à épousseter de précision

Ce tube flexible comporte à son bout un micro-suceur plat avec brosse à épousseter permettant de nettoyer autour d'objets délicats et dans des endroits difficiles d'accès comme dans les habitacles de voiture et sur les claviers d'ordinateur.

### **J** Tube d'extension pour l'espace sous les meubles

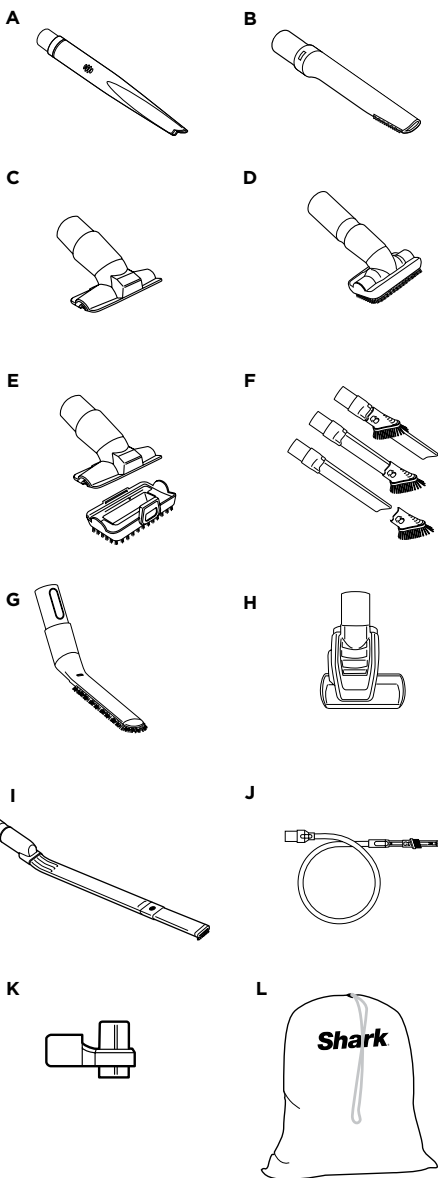
Utilisez cet accessoire réglable de 90 cm pour nettoyer en dessous et à l'arrière des meubles et des appareils électroménagers difficiles à déplacer. Retournez l'accessoire de rallonge pour nettoyer en dessous des appareils électroménagers.

### **K** Attache de rangement intégrée

Cette attache amovible se fixe sur votre aspirateur. L'attache peut comporter jusqu'à deux accessoires en même temps lors du nettoyage.

### **L** Sac d'accessoires (large, 32 x 70 cm)

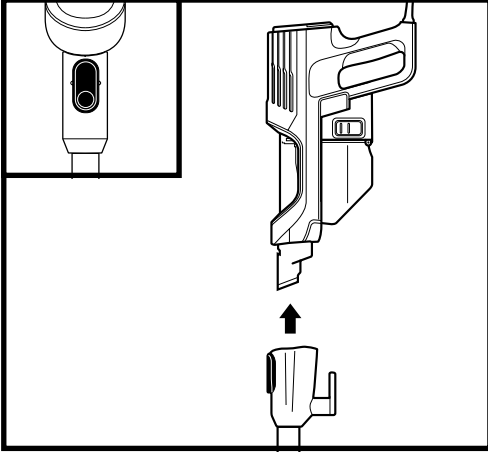
Ce sac de rangement pratique pour accessoires de 32 cm x 70 cm peut contenir le tube d'extension pour l'espace sous les meubles. Taille plus petite proposée sur [sharkaccessories.com](http://sharkaccessories.com).



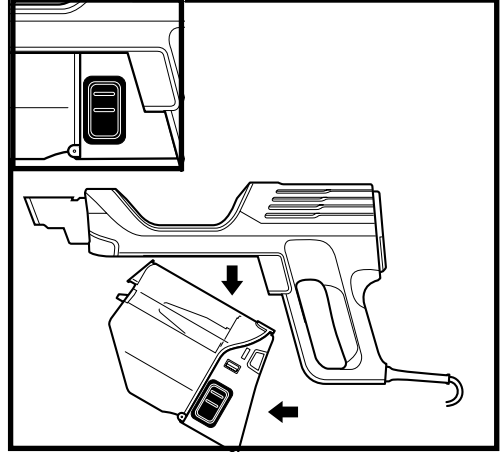
**IMPORTANT :** Débranchez l'aspirateur avant d'effectuer tout entretien.

## VIDANGE DU RÉCIPIENT À POUSSIÈRE

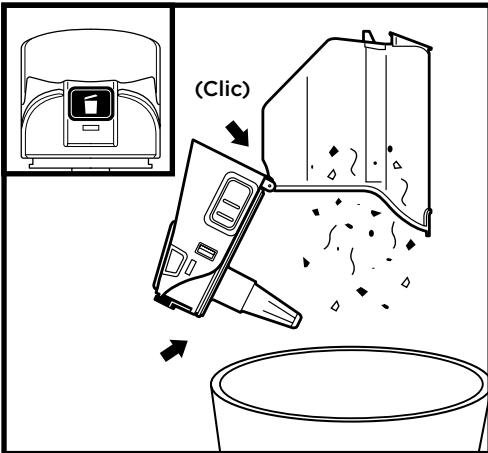
Videz le récipient à poussière chaque fois que vous passez l'aspirateur et périodiquement pendant le nettoyage, lorsque les débris dans le récipient atteignent la ligne MAX fill (remplissage maximal).



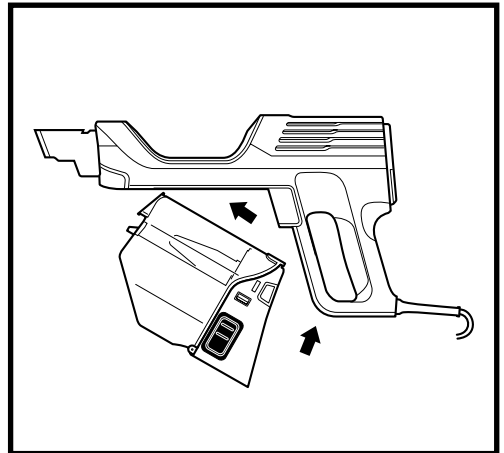
Appuyez sur le bouton **Wand Release** (dégagement du tube) et soulevez l'aspirateur portatif pour le retirer du tube.



Pour retirer le récipient à poussière de l'aspirateur portatif, appuyez simultanément sur les deux boutons **Dust Cup Release** (déverrouillage du récipient à poussière), puis faites glisser le récipient à poussière.



Tenez le récipient à poussière au-dessus de la poubelle. Appuyez sur le bouton **Empty** (vidange) et tirez pour ouvrir le couvercle du récipient à poussière jusqu'à ce qu'il s'enclenche et se verrouille en position ouverte. Tapotez doucement le filtre en forme de cône à l'intérieur du récipient à poussière pour faire tomber la poussière et les débris dans la poubelle.



Pour réinstaller, poussez le couvercle pour le refermer, puis insérez d'abord l'extrémité avant du récipient à poussière dans l'aspirateur portatif, puis l'extrémité arrière, jusqu'à ce qu'elle s'enclenche avec un clic.

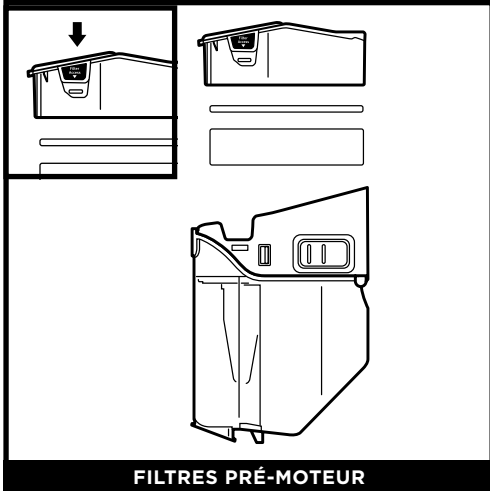
## ENTRETIEN

**IMPORTANT :** Débranchez l'aspirateur avant d'effectuer tout entretien.

### NETTOYAGE DES FILTRES

**Rincez régulièrement et remplacez les filtres afin de maintenir la puissance d'aspiration de votre aspirateur.**

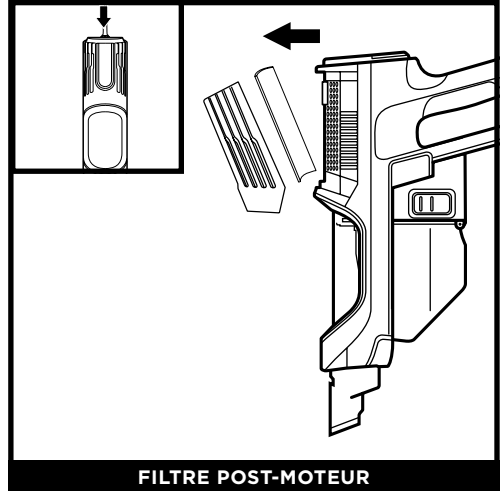
Rincez les filtres avec de l'eau froide seulement afin d'éviter les dégâts résultant de l'utilisation de produits chimiques. N'utilisez pas de savon. Laissez tous les filtres sécher entièrement au moins 24 heures avant de les remettre dans l'aspirateur pour éviter que l'eau ne soit aspirée dans les composants électroniques.



**FILTRES PRÉ-MOTEUR**

Une fois le récipient à poussière détaché, appuyez sur les boutons de dégagement de la porte du filtre des deux côtés à l'arrière du récipient à poussière, puis retirez le boîtier du filtre. Retirez le filtre en mousse du boîtier, puis soulevez le filtre en feutre par la languette.

Les **filtres pré-moteur** devraient être lavés une fois que par mois.



**FILTRE POST-MOTEUR**

Pour accéder au filtre post-moteur, appuyez sur le loquet de dégagement du couvercle du filtre de l'aspirateur portatif. Retirez le couvercle et soulevez le filtre pour le retirer.

Le **filtre post-moteur** devrait être lavé une fois tous les neuf mois.

### FILTRES DE REMPLACEMENT

#### Trousse de remplacement du filtre pré-moteur

XFFKHZ2000



#### Filtre post-moteur de remplacement

XPMFHZ2000

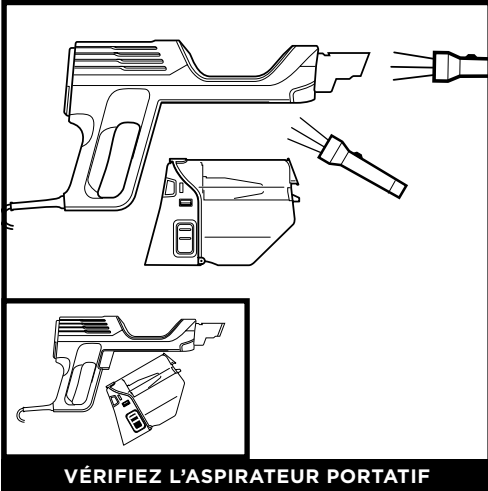


**REMARQUE :** Les filtres pré-moteur devraient être remplacés tous les 2 ans et demi. Le filtre post-moteur devrait être remplacé tous les 3 ans.



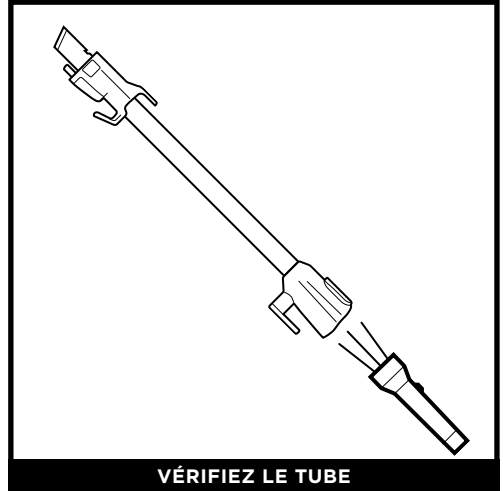
## ENTRETIEN

### VÉRIFICATION DE LA PRÉSENCE D'OBSTRUCTIONS



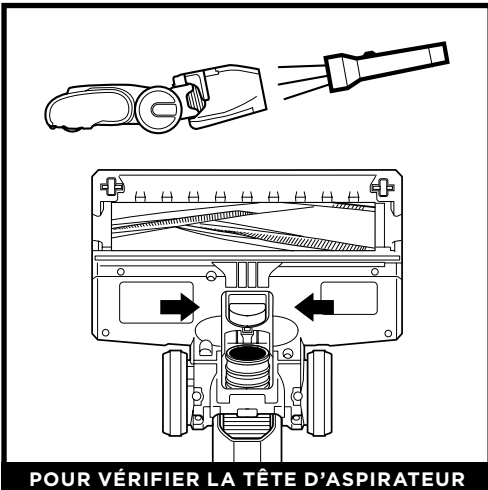
**VÉRIFIEZ L'ASPIRATEUR PORTATIF**

Retirez l'aspirateur portatif du tube et vérifiez toutes les entrées du récipient à poussière pour y déceler la présence de débris ou de poussière.



**VÉRIFIEZ LE TUBE**

Détachez le tube et vérifiez qu'il n'est pas obstrué.



**POUR VÉRIFIER LA TÊTE D'ASPIRATEUR**

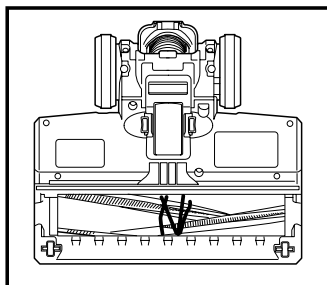
Détachez la tête d'aspirateur du tube, puis renversez-la et vérifiez que les **ouvertures par lesquelles sont absorbés les débris** ne sont pas obstruées.

## ENTRETIEN DES BUSES

### BROSSE ROTATIVE AUTONETTOYANTE

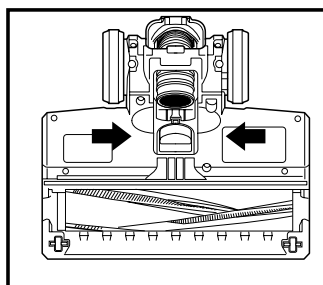
Si vous aspirez un objet dur ou tranchant ou remarquez un changement de bruit pendant que vous passez l'aspirateur, vérifiez si des débris ou objets obstruent la brosse rotative.

Si des fibres sont restées enroulées autour de la brosse rotative après une utilisation continue, enlevez-les.



**DÉBRIS ENROULÉS  
AUTOUR DE LA BROSSE  
ROTATIVE**

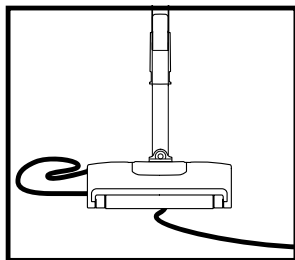
Nettoyez tous les débris sur la brosse rotative.



**DÉBRIS DERRIÈRE LA  
BROSSE ROTATIVE**

Vérifiez les ouvertures par lesquelles sont absorbés les débris et enlevez toute saleté ou obstruction. Pour fermer le couvercle, poussez-le vers le bas jusqu'à ce qu'il s'enclenche.

## ENTRETIEN DU CORDON



1. **N'UTILISEZ PAS** le cordon d'alimentation comme poignée, pour porter ou pour tirer l'aspirateur.
2. **NE DÉBRANCHEZ PAS** l'appareil en tirant sur le cordon d'alimentation. Saisissez la fiche et non le cordon.
3. **NE FERMEZ PAS** la semelle sur le cordon.
4. **NE TIREZ PAS** le cordon autour d'un coin pointu.
5. **NE LAISSEZ PAS** le cordon près de surfaces chauffées.

Pour minimiser les risques d'endommager le cordon d'alimentation, ne passez **PAS** l'aspirateur sur le cordon d'alimentation. Si cela se produit, coupez immédiatement l'alimentation de l'aspirateur et retirez le cordon de la brosse rotative ou de la buse.

**REMARQUE :** Pour une performance optimale, gardez le rouleau doux propre et entretenez-le régulièrement.

### **Si le cordon d'alimentation reste coincé dans la brosse rotative ou la tête d'aspirateur.**

- Pour éviter le plus possible d'endommager le cordon d'alimentation, NE passez PAS l'aspirateur sur le cordon d'alimentation. Si cela se produit, coupez immédiatement l'alimentation de l'aspirateur et retirez le cordon de la brosse rotative ou de la tête d'aspirateur.
- Vérifiez si le cordon d'alimentation et la fiche sont endommagés avant d'utiliser l'aspirateur. N'utilisez PAS un aspirateur dont la fiche ou le cordon est endommagé. Éteignez toutes les commandes avant de brancher ou de débrancher l'aspirateur. Rangez votre aspirateur avec le cordon d'alimentation enroulé autour des deux crochets.

### **Si l'aspirateur ne ramasse pas les débris, n'aspire pas ou aspire peu :**

#### **Consultez la section Entretien pour obtenir de plus amples renseignements.**

- Videz le compartiment à poussière. Vérifiez les filtres pour voir s'ils ont besoin d'être nettoyés. Suivez les instructions pour rincer et sécher complètement les filtres à l'air avant de les réinstaller.
- Nettoyez toute partie obstruée dans la tête d'aspirateur, le tube, l'aspirateur à main ou les accessoires. Voir la section Vérifier que les ouvertures ne sont pas obstruées pour plus de renseignements.
- Si des fibres de corde, de cheveux ou de tapis restent enroulées autour de la brosse rotative après une utilisation continue, enlevez-les délicatement.

Retirez tout ce qui pourrait obstruer l'ouverture de la tête d'aspirateur. Pincez les languettes au bas de la tête d'aspirateur pour ouvrir le couvercle, puis soulevez l'ouverture du tube. Nettoyez tout ce qui pourrait obstruer l'ouverture, puis poussez le tube vers le bas et fermez le couvercle de la tête d'aspirateur.

#### **• L'aspirateur soulève les tapis.**

L'appareil a une forte puissance d'aspiration. Gardez-le en tête lorsque vous passez l'aspirateur sur les tapis aux bords délicatement cousus.

Coupez l'alimentation de l'appareil avant de libérer la brosse rotative. Pour repartir l'aspirateur, appuyez sur le bouton de mise sous tension de la poignée

**REMARQUE :** Nettoyez les tapis en mode Plancher ou avec des accessoires. Voir la section des Accessoires disponibles.

### **L'aspirateur se met hors tension tout seul ou le témoin clignote en rouge.**

Si votre aspirateur surchauffe, le thermostat éteint automatiquement le moteur. Suivez les étapes suivantes pour repartir l'aspirateur :

1. Mettez l'aspirateur hors tension et débranchez-le.
2. Videz le compartiment à poussière et nettoyez les filtres. Voir les sections Vider le compartiment à poussière et Nettoyer les filtres.
3. Vérifiez si des débris obstruent le tube, la tête d'aspirateur, l'aspirateur à main, les ouvertures et les accessoires.
4. Réassemblez l'aspirateur et assurez-vous que toutes les pièces sont bien en place.
5. Laissez l'appareil refroidir pendant au moins 60 minutes.
6. Branchez l'aspirateur et allumez-le.

### **L'aspirateur à main est chaud.**

En raison de la puissance d'aspiration élevée de l'aspirateur, il est normal que la zone autour de l'échappement du filtre se réchauffe pendant et après l'utilisation. Mettez l'aspirateur hors tension et attendez 10 minutes pour qu'il refroidisse. S'il est encore chaud, nettoyez les filtres avant et après le moteur. Consultez la section Entretien pour obtenir les instructions de nettoyage des filtres.

Pour tous les autres problèmes, visitez [sharkclean.com/support](https://sharkclean.com/support).

## GARANTIE LIMITÉE DE CINQ (5) ANS

La garantie limitée de cinq (5) ans s'applique aux achats effectués auprès de détaillants autorisés de **SharkNinja Operating LLC**. La garantie s'applique uniquement au premier propriétaire et au produit original et n'est pas transférable.

SharkNinja garantit ce produit contre toute défectuosité de matériau ou de main-d'œuvre pour une période de cinq (5) ans à compter de la date d'achat, dans le cadre d'un usage domestique normal et si le produit est entretenu conformément aux exigences décrites dans le guide de l'utilisateur, sous réserve des conditions et des exclusions ci-dessous :

### Qu'est-ce qui est couvert par cette garantie?

1. L'appareil d'origine et/ou les composants inusables considérés comme défectueux, à la seule discrétion de SharkNinja, seront réparés ou remplacés jusqu'à cinq (5) ans à compter de la date d'achat initiale.
2. Dans le cas d'un remplacement de l'appareil, la garantie prendra fin six (6) mois après la date de réception de l'appareil de remplacement ou pendant le reste de la période de garantie existante, selon la période la plus longue. SharkNinja se réserve le droit de le remplacer par un appareil de valeur égale ou supérieure.

### Qu'est-ce qui n'est pas couvert par cette garantie?

1. L'usure normale des pièces (comme les filtres en mousse, les filtres HEPA, les tampons, etc.) qui nécessitent un entretien et/ou un remplacement réguliers afin d'assurer le bon fonctionnement de votre appareil n'est pas couverte par cette garantie. Vous pouvez faire l'achat de pièces de rechange par l'entremise du site [sharkaccessories.com](http://sharkaccessories.com).
2. La garantie ne s'applique pas aux appareils utilisés de façon abusive ou à des fins commerciales.
3. Les dommages causés par une mauvaise utilisation (comme aspirer de l'eau ou d'autres liquides), un abus, une négligence lors de la manipulation, un manquement à l'entretien nécessaire (comme ne pas nettoyer les filtres), ou un dommage dû à une mauvaise manipulation pendant le transport.
4. Les dommages indirects et accessoires.
5. Les défectuosités causées par des réparateurs non autorisés par SharkNinja. Ces défectuosités incluent les dommages causés lors du processus d'expédition, de modification ou de réparation du produit SharkNinja (ou de l'une de ses pièces) lorsque la réparation est effectuée par un réparateur non autorisé par SharkNinja.
6. Les produits achetés, utilisés ou mis en fonction à l'extérieur de l'Amérique du Nord.

### Comment obtenir du service

Si votre appareil ne fonctionne pas correctement lorsque vous l'utilisez normalement à domicile durant la période de garantie, visitez le [sharkclean.com/support](http://sharkclean.com/support) pour obtenir de l'information sur les soins et l'entretien du produit que vous pouvez effectuer vous-même. Nos spécialistes du service à la clientèle sont aussi disponibles au **1 800 798-7398** pour de l'assistance sur les produits et les options de garantie de service offertes, y compris la possibilité de passer à nos options de garantie de service VIP pour certaines catégories de produits.

SharkNinja assumera les frais de retour de l'appareil à nos sites par le consommateur en vue de la réparation ou du remplacement de l'appareil. Un montant de 25,95 \$ (sujet à changement) sera facturé lorsque SharkNinja expédiera l'appareil réparé ou remplacé.

### Comment présenter une demande de service sous garantie

Vous devez téléphoner au **1 800 798-7398** pour soumettre une réclamation au titre de la garantie. Vous aurez besoin du reçu comme preuve d'achat.

Un spécialiste du service à la clientèle vous fournira les directives d'emballage et de retour.

### De quelle manière les lois d'État s'appliquent-elles?

Cette garantie vous accorde des droits spécifiques légaux et vous pouvez aussi bénéficier d'autres droits qui varient d'une province ou d'un État à l'autre. Comme certains États américains ou certaines provinces canadiennes n'acceptent pas l'exclusion ou la limitation de dommages accessoires ou indirects, cette disposition peut ne pas s'appliquer à votre cas.

## ENREGISTREZ VOTRE ACHAT :



registeryourshark.com

Numérisez le code QR avec  
votre appareil mobile



## CONSIGNEZ CES RENSEIGNEMENTS

Numéro de modèle : \_\_\_\_\_

Code de date : \_\_\_\_\_

Date d'achat : \_\_\_\_\_

(Conservez la facture)

Magasin où l'appareil a été acheté : \_\_\_\_\_

## CARACTÉRISTIQUES TECHNIQUES

Tension électrique : 120 V~, 60 Hz

Puissance : 680 W

Les avantages d'enregistrer votre produit et de créer un compte :

- Obtenez un support produit plus facile et plus rapide, et accédez aux informations de garantie
- Accédez aux instructions de dépannage et de maintenance produit
- Soyez parmi les premiers à connaître les promotions de produits exclusives

**CONSEIL :** Le numéro de modèle est indiqué sur la plaque signalétique à l'arrière de l'appareil.

**CONSEIL :** Le code de la date est indiqué sur l'une des broches du cordon d'alimentation.

# INSTRUCCIONES IMPORTANTES DE SEGURIDAD

SOLO PARA USO DOMÉSTICO

## **⚠ ADVERTENCIA**

**Para reducir el riesgo de incendio, descargas eléctricas, lesiones o daños a la propiedad, siempre se deben seguir las siguientes precauciones básicas al utilizar un aparato eléctrico:**

### LEA TODAS LAS INSTRUCCIONES ANTES DE USAR ESTA VACÍO

1. Revise que el enchufe y el cable de alimentación no estén dañados antes de usar. **NO** use la aspiradora si tiene el enchufe o el cable dañados. Apague todos los controles antes de enchufar o desenchufar la aspiradora. Almacene la aspiradora con el cable de alimentación bien sujeto alrededor de los dos ganchos para cable. Para minimizar el riesgo de daños en el cable de alimentación, no permita que el rodillo del cepillo motorizado aspire el cable. Si esto ocurre, apague inmediatamente la aspiradora y retire el cable..
2. Este aparato tiene un enchufe polarizado; si el enchufe no entra por completo en el tomacorriente, inviértalo (una hoja es más ancha que la otra). Si aun así no entra, comuníquese con un electricista calificado. **NO** lo inserte por la fuerza en el tomacorriente ni trate de modificarlo para que entre.
3. La aspiradora puede estar compuesta por una boquilla motorizada, un vástago, una manguera o un receptáculo de la aspiradora. Este dispositivo contiene conexiones eléctricas, cables eléctricos y piezas móviles que presentan un riesgo potencial para el usuario.
4. Use únicamente piezas de repuesto idénticas.
5. Observe y siga las siguientes instrucciones detenidamente para evitar el uso incorrecto del electrodoméstico. **NO** use la aspiradora para otro fin que no sea el que se describe en este manual.
6. Antes de usarla, inspeccione todas las piezas para verificar que no tengan daños. **NO** use ninguna pieza que esté dañada.
7. El uso de un cable de extensión **NO** se recomienda.
8. Esta aspiradora contiene piezas que no se reparan.

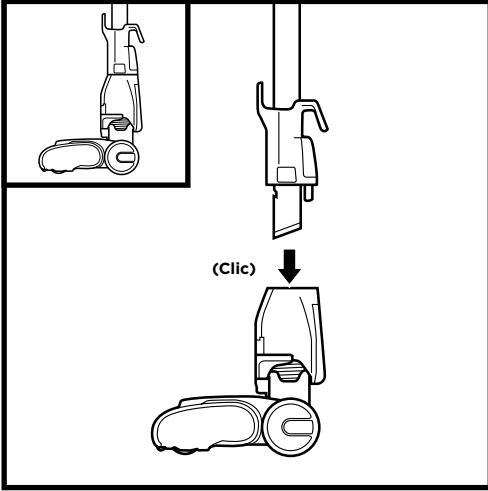
### ADVERTENCIAS PARA EL USO

9. Este electrodoméstico lo pueden utilizar personas con capacidades físicas, sensoriales o mentales disminuidas o que carecen de experiencia y conocimientos si han recibido la supervisión o instrucciones relacionadas con el uso del electrodoméstico de forma segura, y si comprenden los peligros. Los niños no deben realizar la limpieza y el mantenimiento del aparato. Mantenga este electrodoméstico y su cable fuera del alcance de los niños. **NO** permita que los niños usen el electrodoméstico. **NO** permita que los niños usen el electrodoméstico como un juguete. Es necesaria una supervisión minuciosa cuando se utiliza cerca de los niños.
10. Siempre apague la aspiradora antes de conectar o desconectar cualquier boquilla de piso motorizada u otros accesorios.
11. **NO** manipule el enchufe o la aspiradora con las manos mojadas.
12. **NO** la use sin los filtros colocados en su lugar.
13. Solo use filtros y accesorios de la marca Shark®.
14. **NO** dañe el cable de alimentación:
  - a) **NO** tire del cable ni cargue la aspiradora del cable ni use el cable como un mango.
  - b) **NO** desenchufe tirando del cable. Sujete el enchufe, no el cable.
  - c) **NO** pase la aspiradora sobre el cable de alimentación, ni cierre una puerta sobre el cable, ni tire del cable alrededor de esquinas afiladas, tampoco deje el cable cerca de superficies calientes.

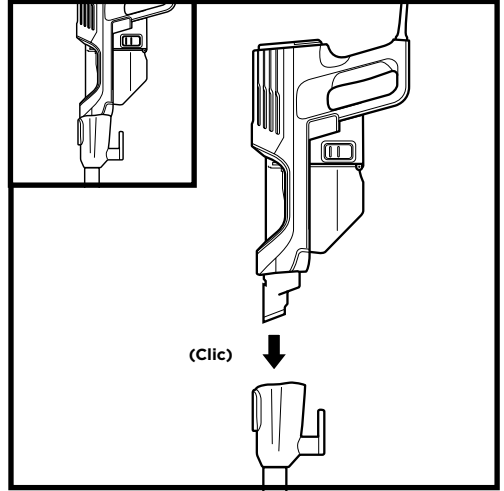
15. **NO** coloque ningún objeto dentro de la boquilla de piso o los orificios de accesorios. **NO** la use con un orificio obstruido; mantenga el electrodoméstico libre de polvo, pelusas, pelo y cualquier otra cosa que pueda reducir el flujo de aire.
  16. **NO** la use si el flujo de aire de la boquilla de piso o del accesorio está restringido. Si los pasajes de aire o la boquilla de piso motorizada se bloquean, apague la aspiradora y desenchúfela de la toma de corriente eléctrica. Quite todas las obstrucciones antes de volver a enchufar y encender la unidad.
  17. Mantenga la boquilla de piso y todos los orificios de la aspiradora alejados del pelo, rostro, dedos, pies descalzos o ropa suelta.
  18. **NO** use la aspiradora si no funciona como debe ser o si se le cayó, dañó, se dejó en los exteriores o se cayó en agua.
  19. Tenga mucho cuidado al limpiar escaleras.
  20. **NO** deje la aspiradora sin supervisión mientras esté enchufada.
  21. Cuando esté encendida, mantenga la aspiradora en movimiento sobre la superficie de la alfombra en todo momento para evitar dañar las fibras de la alfombra.
  22. **NO** coloque la aspiradora en superficies poco estables, como sillas o mesas.
  23. La aspiradora Shark® no está diseñada para sostenerse por sí sola. Cuando haga una pausa en la limpieza, es posible que deba apoyarla contra un mueble o la pared o acostarla en el piso. El uso de la aspiradora en una aplicación en la que la unidad no tiene estabilidad puede provocar lesiones personales.
  24. **NO** la use para recoger lo siguiente:
    - a) Líquidos
    - b) Objetos grandes
    - c) Objetos duros o afilados (vidrio, clavos, tornillos o monedas)
    - d) Grandes cantidades de polvo (polvo de placas de yeso, cenizas de chimenea o brasas). **NO** la use como accesorio para recolección de polvo de herramientas eléctricas.
  - e) Objetos humeantes o incandescentes (carbón caliente, colillas de cigarrillo o fósforos)
  - f) Materiales inflamables o combustibles (líquido de encendedor, gasolina o queroseno)
  - g) Materiales tóxicos (blanqueador con cloro, amoníaco o limpiador alcalino para drenajes)
25. **NO** la use en las siguientes áreas:
    - a) Áreas poco iluminadas
    - b) Superficies húmedas o mojadas
    - c) Áreas exteriores
    - d) Espacios cerrados y que contengan gases o vapores explosivos o tóxicos (líquido de encendedor, gasolina, queroseno, pintura, diluyente de pintura, sustancias antipolillas o polvo inflamable)
  26. Apague todos los controles antes de enchufar o desenchufar la aspiradora.
  27. Desenchúfela de la toma de corriente eléctrica cuando no la use y antes de cualquier mantenimiento o limpieza.
  28. Limpie a mano solo con agua. Limpiarla unidad con productos químicos de limpieza podría dañarla.
  29. Durante la limpieza o mantenimiento de rutina, **NO** corte nada más que los mechones de pelo, fibras o hilos enredados en el cepillo giratorio.
  30. Permita que todos los filtros se sequen al aire libre completamente antes de volver a colocarlos en la aspiradora para impedir que ingrese líquido a las piezas eléctricas.
  31. Asegúrese de que el recipiente para el polvo y todos los filtros estén en su lugar después del mantenimiento de rutina.
  32. Si se proporcionaron, asegure el cable de alimentación alrededor de los dos ganchos para cable durante el almacenamiento.

# CONSERVE ESTAS INSTRUCCIONES

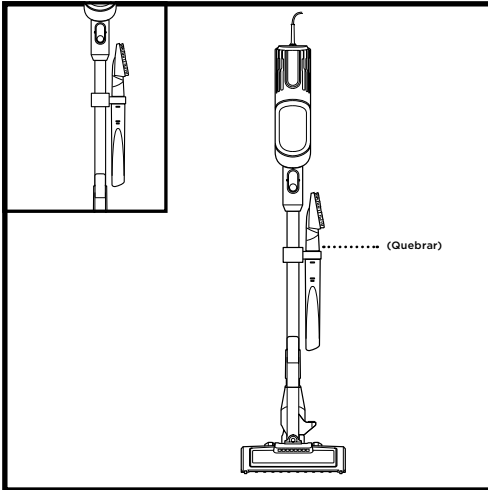
## ENSAMBLADO



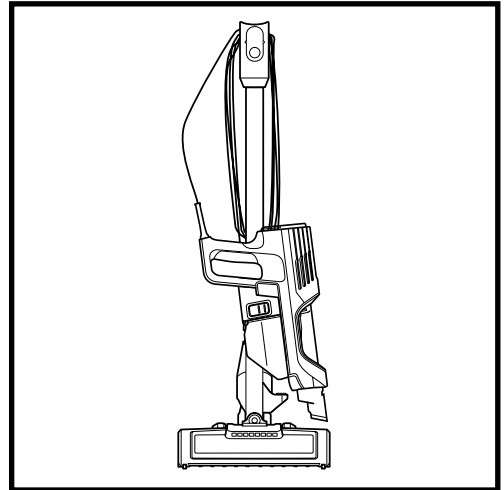
1. Inserte el **vástago** en la **boquilla de piso**.



2. Inserte la **aspiradora portátil** en el **vástago**.

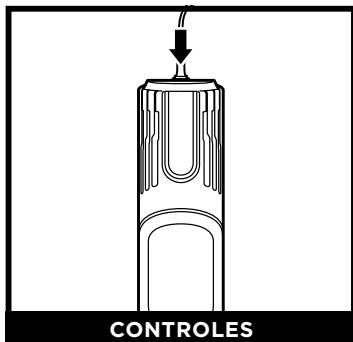


3. Encaje el **clip de almacenamiento integrado** en el **vástago**, y luego coloque los accesorios en el soporte. Asegúrese de que todas las conexiones encajen haciendo clic en su lugar.



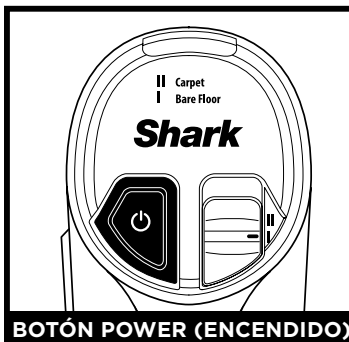
4. Para un almacenamiento compacto, cuelgue la aspiradora portátil del **gancho de almacenamiento** que se encuentra en el **vástago**.





**CONTROLES**

El panel de control se encuentra en la parte superior de la aspiradora portátil.



**BOTÓN POWER (ENCENDIDO)**

### Botón Power (encendido)

Presione el botón Power (encendido) para comenzar a aspirar. Presiónelo nuevamente para apagar la aspiradora. Presione el botón FLOOR TYPE (tipo de piso) para alternar entre los ajustes piso sencillo y alfombra.



**AJUSTE PARA PISO SENCILLO**

### Piso sencillo/Tapetes

Cuando la encienda, la aspiradora estará en la configuración Bare Floor (piso sencillo). En este ajuste, los cepillos giratorios giran suavemente para limpiar pisos y tapetes.



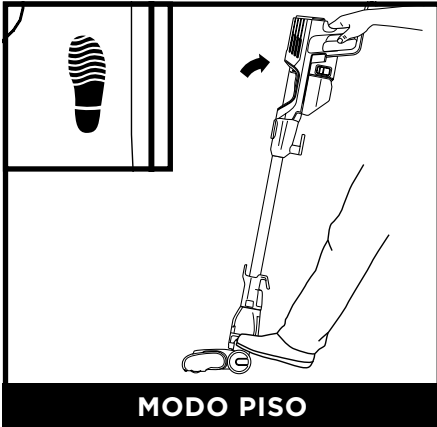
**AJUSTE PARA ALFOMBRA**

### Alfombra

Presione el botón FLOOR TYPE (tipo de piso) para cambiar al ajuste Carpet (alfombra). Los cepillos giratorios giran más rápidamente para levantar los escombros que se encuentran debajo de la superficie de la alfombra.

**NOTA:** Use el seleccionador de tipo de piso para alternar entre los ajustes Bare Floor (piso sencillo) y Carpet (alfombra).  
**NOTA:** Para una limpieza profunda según ASTM F 608 (suciedad incrustada en alfombras) use el ajuste Carpet (alfombra).  
**NOTA:** Seleccione Carpet (alfombra) para polvo y escombros adheridos.

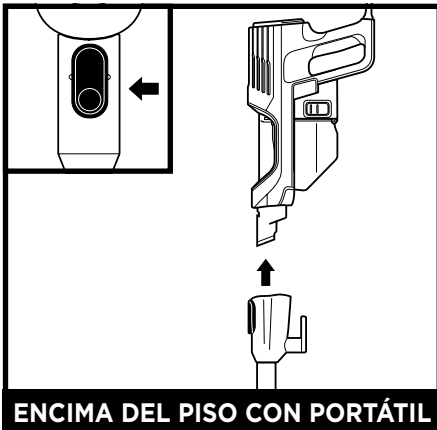
## MODOS DE LIMPIEZA



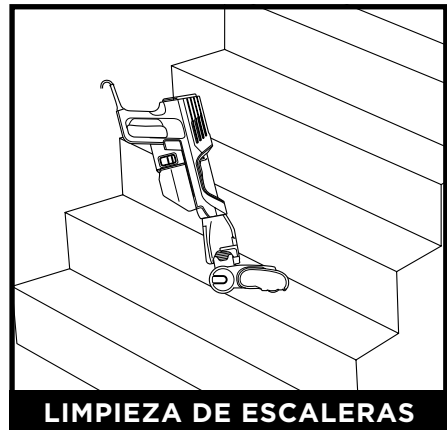
Para limpiar los pisos, pise la boquilla de piso e incline la aspiradora portátil hacia atrás.



Para mayor alcance, separe el vástago. Coloque la aspiradora en posición vertical, luego pise el **pedal** que se encuentra a un costado de la boquilla de piso y tire del vástago para separarlo.



Para separar la aspiradora portátil, presione el botón **Wand Release** (liberación del vástago) y sáquela del vástago. Fantástica para limpiar escaleras, muebles y encimeras.

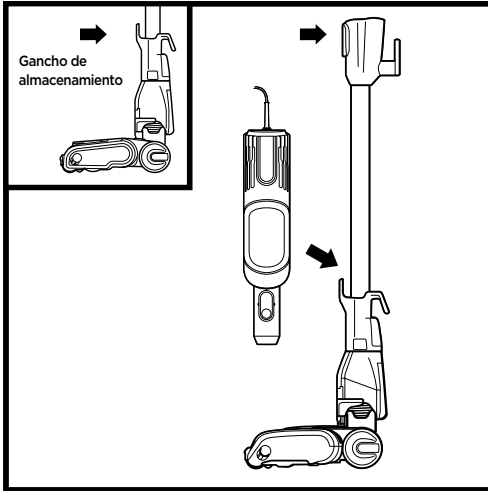


Para limpiar escaleras y otros espacios estrechos, conecte la aspiradora portátil a la boquilla de piso.

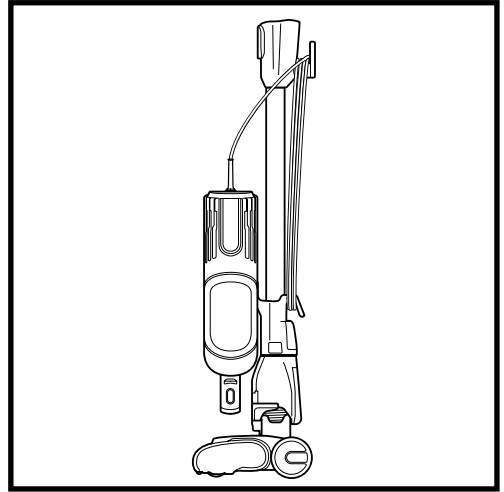
**NOTA:** Todos los accesorios son compatibles con el vástago y con la aspiradora portátil.

## MODO ALMACENAMIENTO

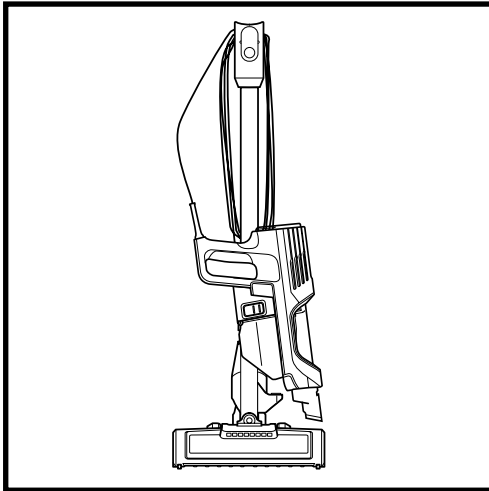
### GANCHO DE ALMACENAMIENTO PARA LA PORTÁTIL



Presione el botón **Wand Release** (liberación del vástago), en la parte superior del vástago, para separar la aspiradora portátil. Alinee el **pestillo** que se encuentra en el costado de la aspiradora portátil con el **gancho de almacenamiento** del vástago, y luego cuelgue la aspiradora portátil del gancho.



Enrolle el cable alrededor de los dos ganchos para el cable. Comience con el gancho superior, y deje el cable un poco flojo.



## ACCESORIOS DISPONIBLES

**NOTA:** No se incluyen todos los accesorios en todas las unidades. Para ver la lista de accesorios incluidos con este modelo, consulte la solapa interior superior de la caja. Para solicitar accesorios adicionales, visite [sharkaccessories.com](http://sharkaccessories.com).

### **A Herramienta para grietas**

Esta delgada herramienta es excelente para limpiar espacios reducidos, entre los cojines del sofá y áreas de difícil acceso. Una herramienta para grietas más larga ya está disponible en [sharkaccessories.com](http://sharkaccessories.com).

### **B Herramienta para grietas para pelo de mascotas**

Esta delgada y versátil herramienta de 20 cm elimina el pelo de las mascotas de los espacios de difícil acceso como esquinas, techos y entre los cojines del sofá.

### **C Herramienta para tapicería**

Recolecta pelo de las mascotas, polvo y desechos grandes de colchones, sofás, cortinas y otras telas para tapizar delicadas.

### **D Cepillo quitapolvo**

Este cepillo elimina el polvo y limpia superficies delicadas. Excelente para usar en ventiladores, cortinas, pantallas de lámparas y teclados.

### **E Herramienta múltiple para mascotas**

Una sola herramienta convertible para limpiar la suciedad difícil de mascotas de dos maneras: use el cepillo de cerda dura para limpiar suciedad pegada o retire las cerdas para revelar una herramienta perfecta para tapicería que elimina el pelo adherido de mascotas y grandes cantidades de desechos.

### **F Herramienta para grietas quitapolvo**

Dos herramientas de limpieza en una. La herramienta para grietas ofrece alcance extendido para limpiar espacios reducidos, mientras que el cepillo suave es ideal para eliminar polvo de superficies delicadas.

### **G Cepillo quitapolvo antialérgeno**

Este cepillo tiene cerdas de fibra de nailon específicamente diseñadas para eliminar polvo fino y partículas de alérgenos de la mayoría de las superficies delicadas.

### **H Cepillo motorizado de autolimpieza para mascotas**

Recoge pelo de mascotas y suciedad de áreas por encima del piso, como escaleras alfombradas y tapicería, a la vez que elimina activamente el pelo enredado mientras limpia.

### **I Sacudidor de precisión**

Este tubo flexible tiene en la punta una herramienta microscudidora para grietas para limpiar alrededor de objetos delicados y en lugares de difícil acceso como interiores de vehículos y teclados de computadoras.

### **J Vástago para usar debajo de electrodomésticos**

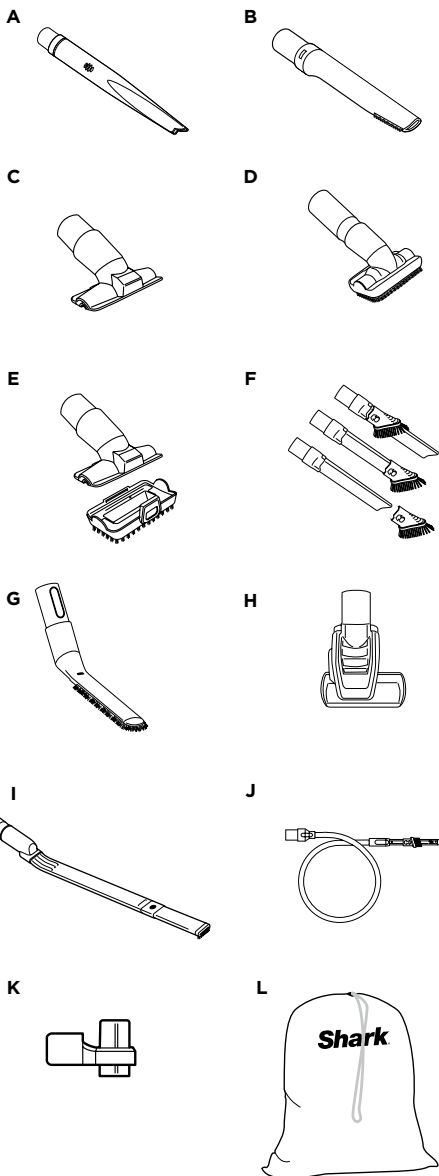
Limpie debajo y detrás de electrodomésticos y muebles difíciles de mover con esta herramienta ajustable de 91 cm. Voltee la pieza de extensión para limpiar la parte inferior de los electrodomésticos.

### **K Clip de almacenamiento integrado**

Este clip desmontable se fija a su aspiradora. El clip puede sujetar hasta dos accesorios al mismo tiempo mientras limpia.

### **L Bolsa grande para accesorios (Grande, 32 x 70 cm)**

Esta práctica bolsa para guardar accesorios mide 32 cm x 70 cm y le cabe el vástago que se utiliza para limpiar debajo de los electrodomésticos. Hay un tamaño más pequeño disponible en [sharkaccessories.com](http://sharkaccessories.com).

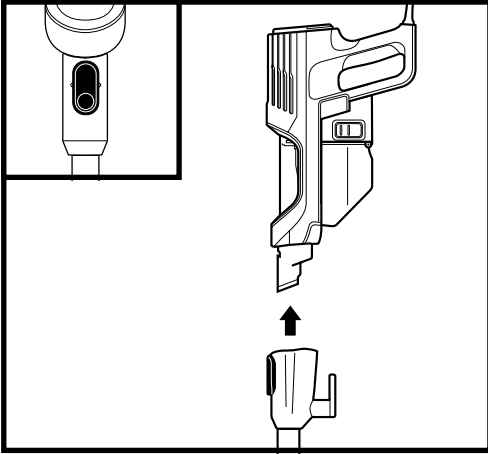


## MANTENIMIENTO

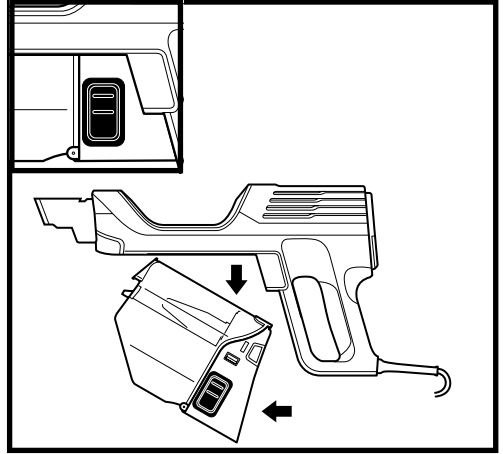
**IMPORTANTE:** Desenchufe la aspiradora antes de cualquier tarea de mantenimiento.

### CÓMO VACIAR EL RECIPIENTE PARA EL POLVO

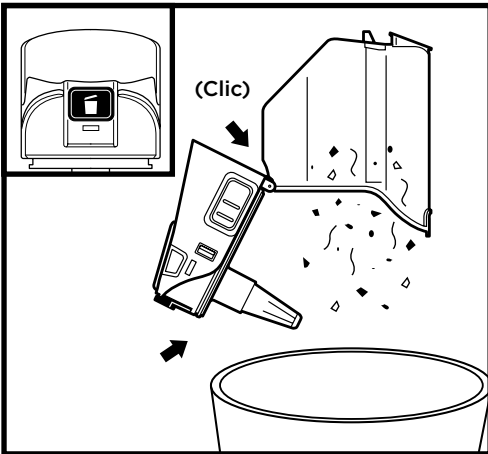
Vacíe el recipiente para el polvo cada vez que aspire y límpielo periódicamente cuando limpie y cuando los escombros lleguen a la línea de llenado MAX en el recipiente para el polvo.



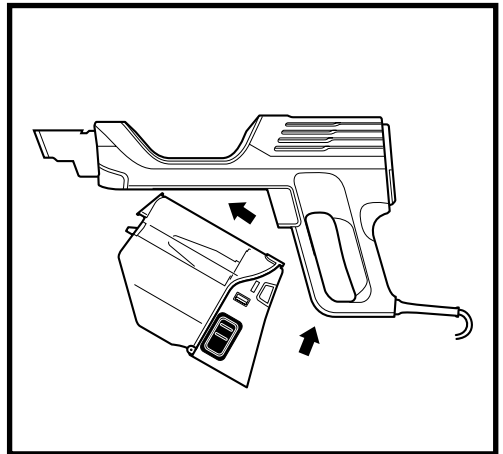
Presione el botón **Wand Release** (liberación del vástago) y retire la aspiradora portátil.



Para retirar el recipiente para el polvo de la aspiradora portátil, oprima al mismo tiempo los dos botones **Dust Cup Release** (liberación del recipiente para el polvo), y saque el recipiente.



Sostenga el recipiente para el polvo sobre el bote de basura. Presione el botón **Empty** (vaciar) y tire de la tapa del recipiente para el polvo hasta que esta haga clic y se bloquee en la posición abierta. Golpee suavemente la rejilla en forma de cono que se encuentra al interior del recipiente para el polvo para echar el polvo y los residuos a la basura.



Para reinstalar, empuje la tapa hacia la posición cerrada, luego inserte primero la parte delantera del recipiente para el polvo en la aspiradora portátil y después la parte trasera, hasta que encaje en su lugar con un clic.

## MANTENIMIENTO

**IMPORTANTE:** Desenchufe la aspiradora antes de cualquier tarea de mantenimiento.

### LIMPIEZA DE LOS FILTROS

**Enjuague y reemplace los filtros con regularidad para mantener el poder de succión de la aspiradora.**

Para evitar los daños que pueden causar los productos químicos de limpieza, enjuague los filtros únicamente con agua fría. No utilice detergente. Permita que los filtros se sequen al aire durante 24 horas por lo menos antes de volver a colocarlos para impedir que se succione el líquido hacia las piezas electrónicas.



**FILTROS PARA LA PARTE DELANTERA DEL MOTOR**

Con el recipiente para el polvo separado, presione los botones de acceso a los filtros que se encuentran a ambos lados de la parte posterior del recipiente para el polvo, y luego saque la caja del filtro. Tire del filtro de espuma para sacarlo de la caja y luego saque el de fieltro tirando de la pestaña.

Lave los **filtros para la parte delantera del motor** una vez al mes.



**FILTRO PARA LA PARTE TRASERA DEL MOTOR**

Para acceder al filtro para la parte trasera del motor, presione el cerrojo de liberación que se encuentra en la cubierta del filtro de la aspiradora portátil. Retire la cubierta y saque el filtro.

Lave el **filtro para la parte trasera del motor** cada 9 meses.

### FILTROS DE REPUESTO

**Kit de filtros de repuesto para la parte delantera del motor**

XFFKHZ2000



**Filtro de repuesto para la parte trasera del motor**

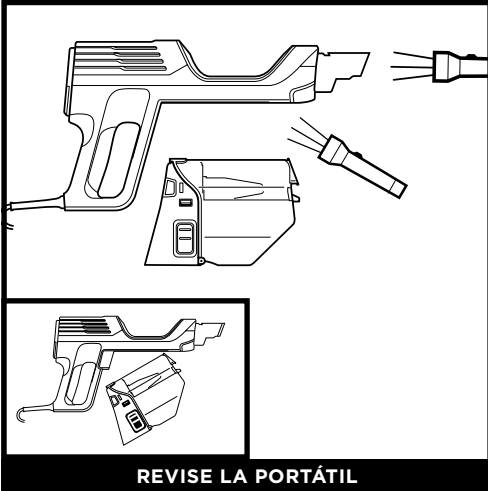
XPMFHZ2000



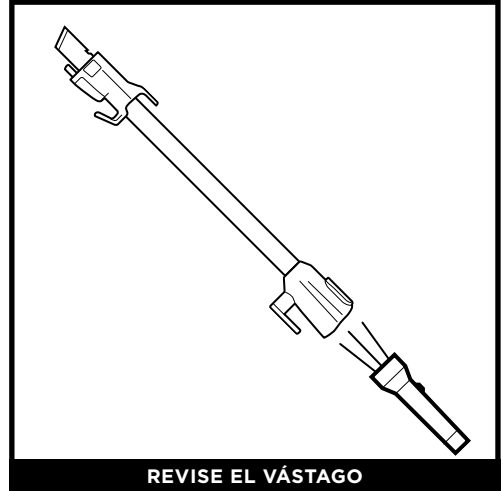
**NOTA:** Reemplace los filtros para la parte delantera del motor cada 2.5 años. Reemplace el filtro para la parte trasera del motor cada 3 años.

## MANTENIMIENTO

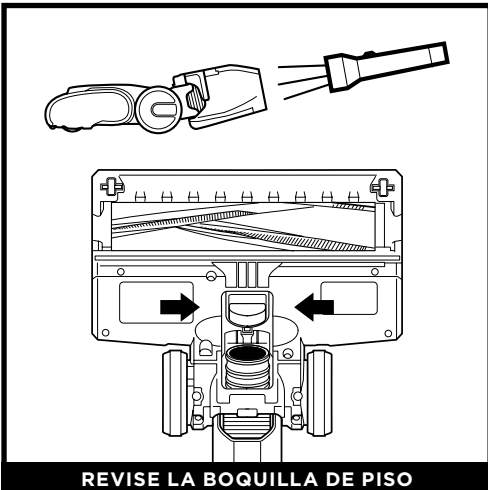
### CÓMO VERIFICAR SI HAY OBSTRUCCIONES



Quite la aspiradora portátil del vástago y revise todas las aberturas de entrada del recipiente para el polvo para ver si hay escombros u obstrucciones.



Desconecte el vástago y verifique que no haya obstrucciones.



Separe el vástago, luego incline hacia atrás la **entrada de residuos** de la boquilla de piso y revise si hay obstrucciones en las aberturas.

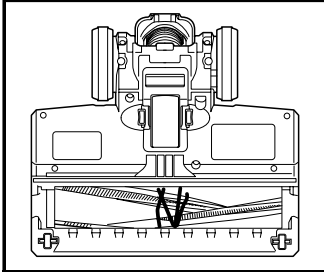
## MANTENIMIENTO

### MANTENIMIENTO DE BOQUILLAS

#### CEPILLO GIRATORIO DE AUTOLIMPIEZA

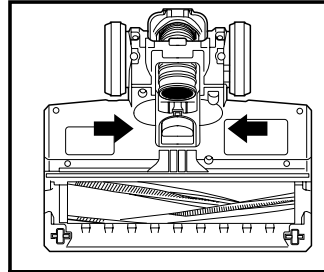
Si aspira un objeto duro o afilado, o se da cuenta de un cambio en el ruido mientras aspira, verifique si hay obstrucciones u objetos atrapados en el cepillo giratorio.

Si aún quedan fibras enredadas en el cepillo giratorio después del uso constante, quítelas del cepillo giratorio.



**RESIDUOS ENREDADOS ALREDEDOR DEL CEPILLO GIRATORIO**

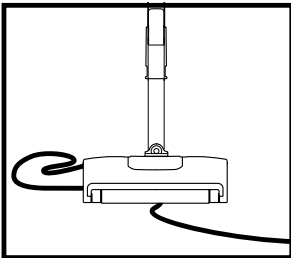
Limpie todos los residuos en el cepillo giratorio.



**RESIDUOS DETRÁS DEL CEPILLO GIRATORIO**

Revise la entrada de residuos y elimine toda la suciedad u obstrucciones. Para cerrar la cubierta, presiónela hacia abajo hasta que encaje en su lugar.

### MANTENIMIENTO DE CORD



Para minimizar el riesgo de daño al cable de alimentación, **NO** pase la aspiradora sobre el cable. Si esto ocurre, apague inmediatamente la aspiradora y libere el cable del cepillo giratorio o de la boquilla de piso.

1. **NO** tire del cable, ni lo use para cargar la aspiradora o como si fuera un mango.
2. **NO** desenchufe la aspiradora tirando del cable. Sujete el enchufe, no el cable.
3. **NO** cierre la placa de asiento de la aspiradora sobre el cable.
4. **NO** tire del cable alrededor de esquinas filosas.
5. **NO** deje el cable cerca de superficies calientes.

**NOTA:** Para lograr el mejor rendimiento, mantenga limpio el rodillo suave mediante un mantenimiento regular.



### **Cable de alimentación atascado en el cepillo giratorio o la boquilla de piso.**

- Para minimizar el riesgo de daños en el cable de alimentación, NO pase la aspiradora sobre él. Si esto ocurre, apague inmediatamente la fuente de alimentación a la aspiradora y quite el cable del cepillo o la boquilla.
- Verifique que el cable de alimentación y el enchufe no estén dañados antes de volver a utilizar la aspiradora. NO UTILICE una aspiradora con un cable o enchufe dañados. Apague todos los controles antes de enchufar o desenchufar la aspiradora. Guarde la aspiradora con el cable de alimentación fijado alrededor de los dos ganchos para el cable.

### **La aspiradora no recolecta residuos. No hay succión o hay poca succión. Consulte la sección Mantenimiento para obtener más información.**

- Vacíe el recipiente para el polvo. Revise los filtros para determinar si necesitan limpieza. Siga las instrucciones para enjuagar y secar al aire libre los filtros completamente antes de volver a insertarlos.
- Clear any blockages in the nozzle, wand, handheld vacuum, or accessories. See Checking for Blockages section for more information.
- Si cualquier hilo, cabello, o fibras de alfombras permanecen enredados alrededor del cepillo giratorio después de uso continuo, retírelos cuidadosamente. Retire cualquier obstrucción de la boquilla de piso, el vástago, la aspiradora portátil o de los accesorios. Para obtener más información, consulte la sección Cómo verificar si hay obstrucciones.
- **La aspiradora levanta los tapetes.**

- La succión es potente. Tenga cuidado cuando aspire tapetes con delicados bordes cosidos.

Apague la unidad para desengranar el cepillo giratorio. Para reiniciar, presione el botón de encendido en el mango.

NOTA: Limpie los tapetes del área en modo Tapetes de piso descubierto o con accesorios. Consulte la sección Accesorios disponibles.

**NOTA:** Limpie los tapetes del área en modo Tapetes de piso descubierto o con accesorios. Consulte la sección Accesorios disponibles. La aspiradora se apaga por sí sola o la luz indicadora parpadea en rojo.

### **La aspiradora se apaga por sí sola o la luz indicadora parpadea en rojo.**

Si la aspiradora se sobrecalienta, el termostato apagará el motor automáticamente. Complete los siguientes pasos para reiniciar:

1. Apague la aspiradora y desenchúfela.
2. Vacíe el recipiente para el polvo y limpie los filtros. Consulte las secciones Cómo vaciar el recipiente para el polvo y Limpieza de los filtros.
3. Verifique que no haya obstrucciones en el vástago, la boquilla de piso, la aspiradora portátil, los orificios de entrada ni en los accesorios.
4. Vuelva a armar la aspiradora completa y asegúrese de que todas las piezas encajan en su lugar.
5. Permita que la unidad se enfríe durante un mínimo de 60 minutos.
6. Enchufe la aspiradora y enciéndala.

### **La aspiradora portátil está caliente.**

Debido a la fuerte potencia de succión de la aspiradora, es normal que el área alrededor del escape del filtro se caliente durante y después de su uso. Apague la aspiradora y espere 10 minutos para que se enfríe. Si aún se siente caliente, limpie los filtros de la parte delantera y trasera del motor. Consulte la sección Mantenimiento para ver las instrucciones de limpieza de los filtros.

## GARANTÍA LIMITADA DE CINCO (5) AÑOS

La garantía limitada de cinco (5) años se aplica a las compras realizadas a los vendedores minoristas autorizados de **SharkNinja Operating LLC**. La cobertura de garantía se aplica solo al propietario y al producto originales y no puede transferirse.

SharkNinja garantiza que la unidad estará libre de defectos de materiales y de mano de obra durante un período de cinco (5) años desde la fecha de compra, siempre y cuando se use en condiciones domésticas normales y se efectúe su mantenimiento de acuerdo con los requisitos descritos en este manual del propietario, sujeto a las siguientes condiciones y exclusiones:

### ¿Qué cubre esta garantía?

1. La unidad original o los componentes que no se gastan que se consideren defectuosos, a criterio exclusivo de SharkNinja, se repararán o reemplazarán durante un período máximo de cinco (5) años desde la fecha de compra original.
2. En el caso de que se entregue una unidad de reemplazo, la cobertura de la garantía termina seis (6) meses después de la fecha de recepción de la unidad de reemplazo o cuando termine el plazo restante de la garantía vigente, lo que sea posterior. SharkNinja se reserva el derecho a reemplazar la unidad con una de igual o mayor valor.

### ¿Qué no cubre esta garantía?

1. Esta garantía no cubre el desgaste normal de las piezas que se gastan (como los filtros de espuma, los filtros HEPA, las almohadillas, etc.), que requieren mantenimiento o reemplazo regular para asegurar el funcionamiento adecuado de la unidad. Se pueden comprar piezas de repuesto en **sharkaccessories.com**.
2. Cualquier unidad que haya sido alterada o usada con fines comerciales.
3. Daños causados por el uso incorrecto (p. ej., aspirar agua u otros líquidos), abuso, manipulación negligente, falta de mantenimiento necesario (p. ej., no limpiar los filtros) o daños debidos al mal trato durante el transporte.
4. Daños emergentes o incidentales.
5. Defectos causados por personas que hacen reparaciones y no estén autorizadas por SharkNinja. Estos defectos incluyen daños causados en el proceso de envío, modificación o reparación del producto SharkNinja (o cualquiera de sus piezas) cuando la reparación es realizada por una persona que no está autorizada por SharkNinja.
6. Productos comprados, usados u operados fuera de Norteamérica.

### Cómo solicitar el servicio técnico

Si su aparato no funciona adecuadamente cuando se usa en condiciones domésticas normales dentro del período de garantía, visite **sharkclean.com/support** para obtener instrucciones de cuidado y mantenimiento del producto que usted mismo pueda llevar a cabo. Nuestros especialistas de servicio al cliente también están a su disposición si llama al **1-800-798-7398** para asistirlo con todas las opciones de servicio de garantía y soporte del producto, incluida la posibilidad de mejorar su garantía a nuestras opciones de servicio de garantía VIP para categorías de productos exclusivos.

SharkNinja cubrirá el costo de envío de la unidad por parte del cliente para ser reparada o reemplazada. Se cobrará una tarifa de 25,95 USD (sujeto a cambios) cuando SharkNinja envíe la unidad reparada o el reemplazo.

### Cómo iniciar un reclamo de garantía

Debe llamar al **1-800-798-7398** para iniciar un reclamo de garantía. Necesitará el recibo como prueba de compra. Un especialista de servicio al cliente le proporcionará instrucciones para la devolución y el embalaje.

### Cómo se aplica la ley estatal

Esta garantía le otorga derechos legales específicos, y usted también puede tener otros derechos que varían según el estado. Algunos estados no permiten la exclusión o la limitación de los daños incidentales o emergentes, por lo que lo anterior puede no aplicarse en su caso.

## REGISTRE SU COMPRA



registeryourshark.com

Escanee el código QR  
con un dispositivo móvil



## REGISTRE ESTA INFORMACIÓN

Número de modelo: \_\_\_\_\_

Código de fecha: \_\_\_\_\_

Fecha de compra: \_\_\_\_\_  
(conservar el recibo)

Tienda de compra: \_\_\_\_\_

## ESPECIFICACIONES TÉCNICAS

Voltaje: 120 V~, 60 Hz

Vatios: 680 vatios

Beneficios de registrar su producto y crear una cuenta:

- Obtenga un servicio de asistencia para el producto más fácil y rápido
- Acceda a instrucciones para la solución de problemas y cuidado de su producto
- Sea uno de los primeros en recibir promociones de productos exclusivos

**CONSEJO:** El número de modelo se encuentra en la etiqueta que indica las características, detrás del recipiente para el polvo.

**CONSEJO:** El código de fecha se ubica en una de las clavijas del enchufe del cable de alimentación.

## **PLEASE READ CAREFULLY AND KEEP FOR FUTURE REFERENCE.**

This Owner's Guide is designed to help you get a complete understanding of your new Shark Ultralight PowerFins™ Corded Stick Vacuum with Self-Cleaning Brushroll.

SharkNinja Operating LLC  
US: Needham, MA 02494  
CAN: Ville St-Laurent, QC H4S 1A7

1-800-798-7398  
sharkclean.com

Illustrations may differ from actual product. We are constantly striving to improve our products; therefore the specifications contained herein are subject to change without notice.

For SharkNinja U.S. Patent information, visit [sharkninja.com/uspatents](http://sharkninja.com/uspatents)

## **VEUILLEZ LIRE ATTENTIVEMENT LE PRÉSENT MODE D'EMPLOI ET LE CONSERVER À TITRE INFORMATIF.**

Ce guide d'utilisation est conçu pour vous aider à bien connaître le fonctionnement de votre nouvel aspirateur-balai à fil ultraléger PowerFins™ avec brosse rotative autonettoyante

SharkNinja Operating LLC  
États-Unis : Needham, MA 02494  
Canada : Saint-Laurent (Québec) H4S 1A7

1-800-798-7398  
sharkclean.com

Les illustrations peuvent différer du produit réel. Nous tentons constamment d'améliorer nos produits; par conséquent, les caractéristiques indiquées dans le présent guide peuvent être modifiées sans préavis.

Pour obtenir de l'information au sujet des brevets de SharkNinja aux États-Unis, consultez le site suivant : [www.sharkninja.com/uspatents](http://www.sharkninja.com/uspatents).

## **LEA ESTAS INSTRUCCIONES DETENIDAMENTE Y CONSÉRVELAS PARA REFERENCIA FUTURA.**

Esta Guía del propietario está diseñada para ayudarlo a entender completamente la nueva aspiradora vertical de varilla con cable Shark Ultralight PowerFins™ con cepillo giratorio de autolimpieza.

SharkNinja Operating LLC  
EE. UU.: Needham, MA 02494  
CAN: Ville St-Laurent, QC H4S 1A7

1-800-798-7398  
sharkclean.com

Las ilustraciones pueden diferir del producto real. Nos esforzamos constantemente por mejorar nuestros productos, por lo que las especificaciones que se incluyen en el presente pueden cambiar sin previo aviso.

Para obtener información sobre las patentes de SharkNinja en los EE. UU., visite [sharkninja.com/uspatents](http://sharkninja.com/uspatents)

---

© 2021 SharkNinja Operating LLC. SHARK is a registered trademark of SharkNinja Operating LLC. POWERFINS is a trademark of SharkNinja Operating LLC.

© 2021 SharkNinja Operating LLC. SHARK est une marque de commerce déposée de SharkNinja Operating LLC. POWERFINS est une marque de commerce déposée de SharkNinja Operating LLC.

© 2021 SharkNinja Operating LLC. SHARK es una marca comercial registrada de SharkNinja Operating LLC. POWERFINS es una marca comercial registrada de SharkNinja Operating LLC.