

Please be sure to read the enclosed Shark® Owner's Guide prior to using your vacuum.

# Shark® Rocket®

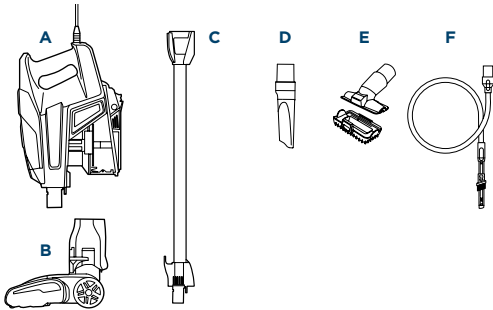
Corded Ultra-Light Vacuum

ZERO-M®

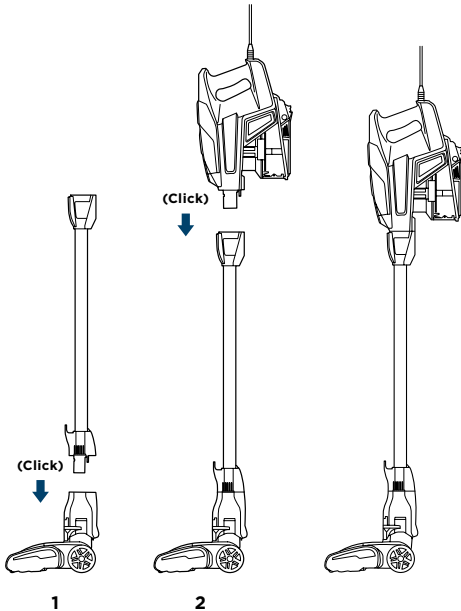
## QUICK START GUIDE

### WHAT'S INSIDE

- A** Handheld Vacuum
- B** ZERO-M® Cleaner Head
- C** Wand
- D** 5" Crevice Tool
- E** Pet Multi-Tool
- F** Precision Duster

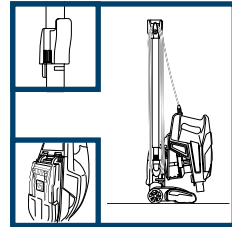


### ASSEMBLY



### STORAGE

#### Onboard Hook

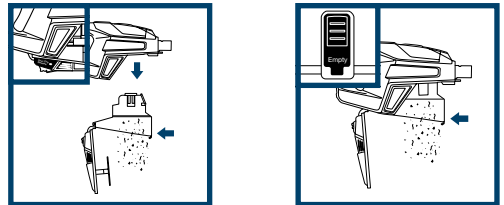


Hang the handheld vacuum on the hook on the bottom of the wand, and wrap the power cord around the cord hooks.

### MAINTENANCE

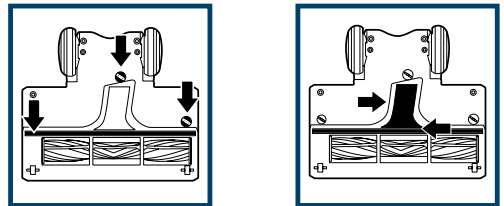
#### Dust Cup

Empty dust cup every time debris reaches the MAX fill line.



#### Cleaner Head Maintenance

ZERO-M technology actively removes hair wrap from your brushroll while you vacuum.

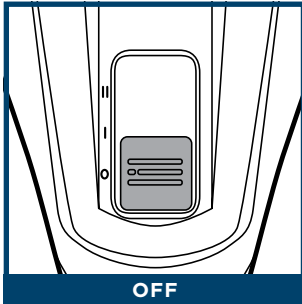


1. Using a coin, turn locks counterclockwise to open, then lift off cover to access brushroll.
2. Clear airway of blockages.
3. Replace cover, pressing down firmly on all sides before turning locks clockwise to close.

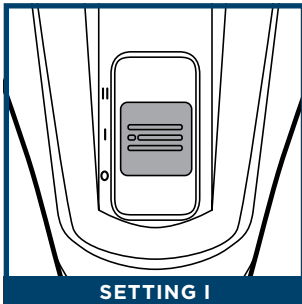
**NOTE:** If you see any hair wrapped around the brushroll, continue cleaning, using Setting II, on bare floors. This will allow ZERO-M technology to remove the hair wrap and send it to the dust cup.

# VERSATILE FLOOR-TO-CEILING CLEANING

## Settings

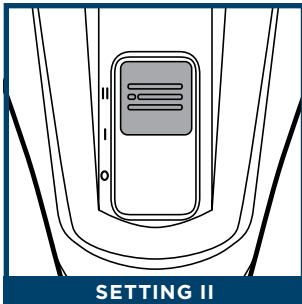


Slide switch to the bottom to turn off power. To begin vacuuming, slide switch to the appropriate setting.



### Bare Floor, Small Area Rugs

The brushroll spins slowly to clean bare floors and delicate area rugs.

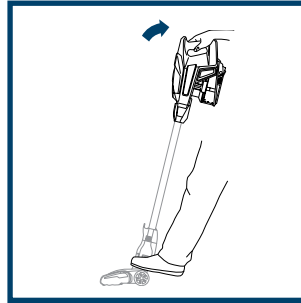


### Carpet

The brushroll spins faster to pick up debris below the surface of your carpets.

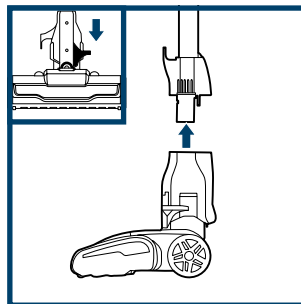
**NOTE:** For deep cleaning per ASTM F 608 (embedded dirt in carpets) please use Setting II, Carpet.

## Upright Mode



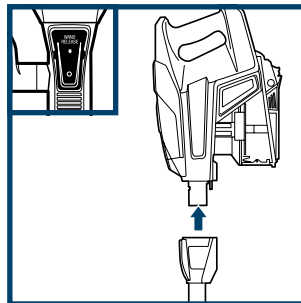
To clean floors, place foot on cleaner head and tilt handheld vacuum back.

## Above-Floor with Wand



Stand the vacuum upright. Step on the foot pedal on the bottom left side of the cleaner head and pull the wand up to disconnect it. Great for cleaning baseboards, ceiling fans, window sills, etc.

## Above-Floor with Handheld



Press the **WAND RELEASE** button and lift the handheld vacuum off the wand. Great for cleaning stairs and furniture.

**NOTE:** All accessories are compatible with both the wand and the handheld vacuum. Use Setting I for all above-floor accessories.

For questions or to register your product visit us online at [sharkclean.com](http://sharkclean.com)