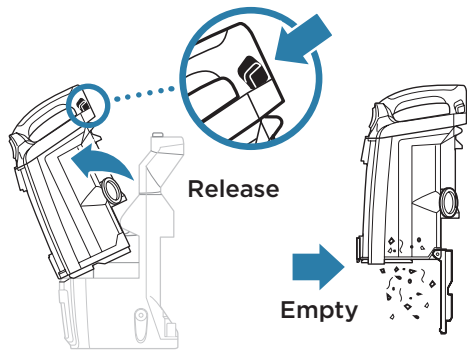


## MAINTENANCE

### Empty dust cup after each use



### TIP:

Wash filters every 3 months to keep the suction strong.

Rinse filters with water only and allow to air-dry completely. Tap loose dirt from foam filters as needed between washes.

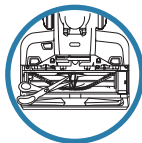
### Easy access to your brushrolls.

Push the release buttons and the brushroll garage lid will pop open. Lift the brushroll out of the garage.



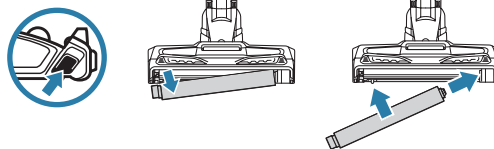
### Brushroll Maintenance

Run scissors along the guide in the brushroll to cut away any string, hair, or debris.



### Soft Roller Maintenance

Slide the Eject Roller button to release the Soft Roller. Clear away any debris, then slide the Soft Roller back into place.



# Shark

For questions or to register your product, contact us at 800-798-7398 or visit us online at [sharkclean.com](http://sharkclean.com)



@sharkcleaning

©2018 SharkNinja Operating LLC. DUOCLEAN, LIFT-AWAY, POWERED LIFT-AWAY, and SHARK are registered trademarks of SharkNinja Operating LLC.

UV810\_QSG\_MP\_REV\_Mv1

Please be sure to read the enclosed Shark® Owner's Guide prior to using your unit.

duo clean®

# Shark®

## POWERED LIFT-AWAY®

**SPEED**

## QUICK START GUIDE

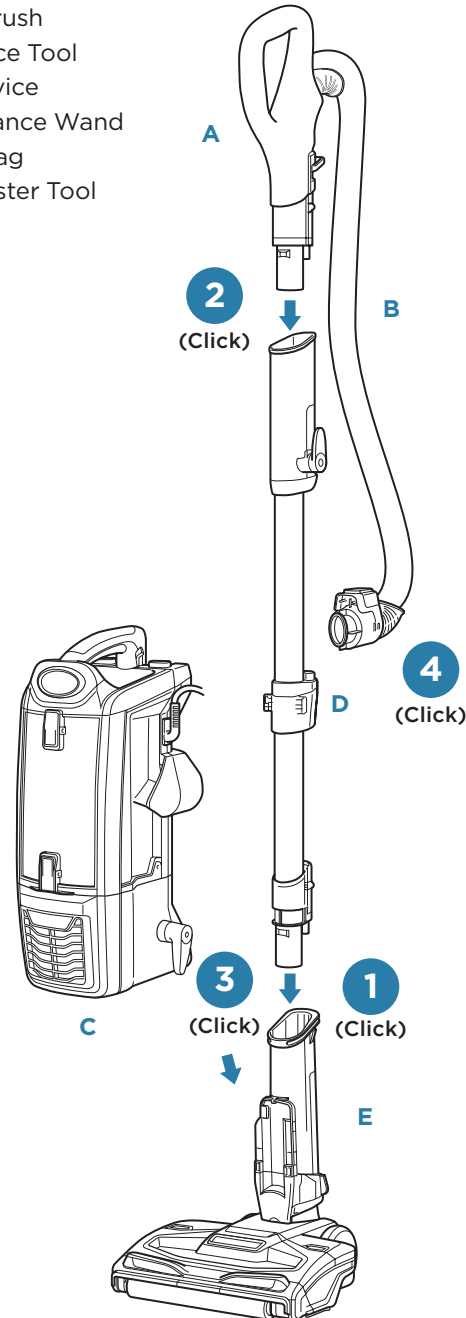
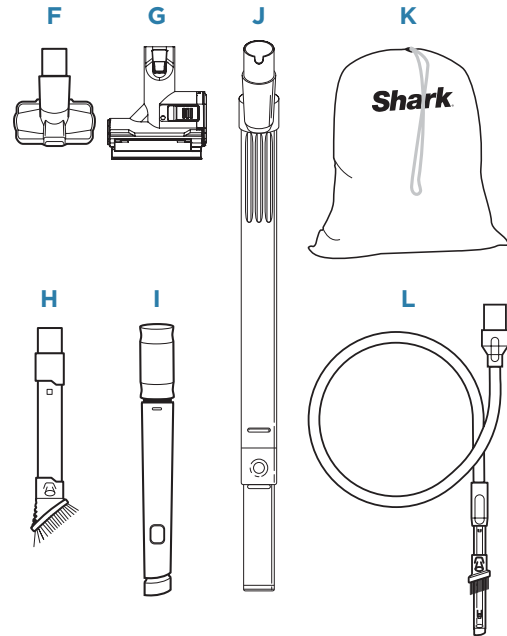
Use this Quick Start Guide to learn about your new vacuum's great features.

UV810



## WHAT'S INSIDE:

- A** Handle
- B** Hose
- C** Vacuum Pod
- D** Wand
- E** Motorized Floor Nozzle
- F** Pet Multi-Tool
- G** Pet Power Brush
- H** Duster Crevice Tool
- I** 18" Flexi Crevice
- J** Under-Appliance Wand
- K** Accessory Bag
- L** Precision Duster Tool



## ASSEMBLY

1. Insert wand into motorized floor nozzle.
2. Insert handle into wand.
3. Place bottom of pod onto neck of floor nozzle and slide down to connect.
4. Connect hose to back of pod, pressing until it clicks into place. Store accessories on the posts on the pod.

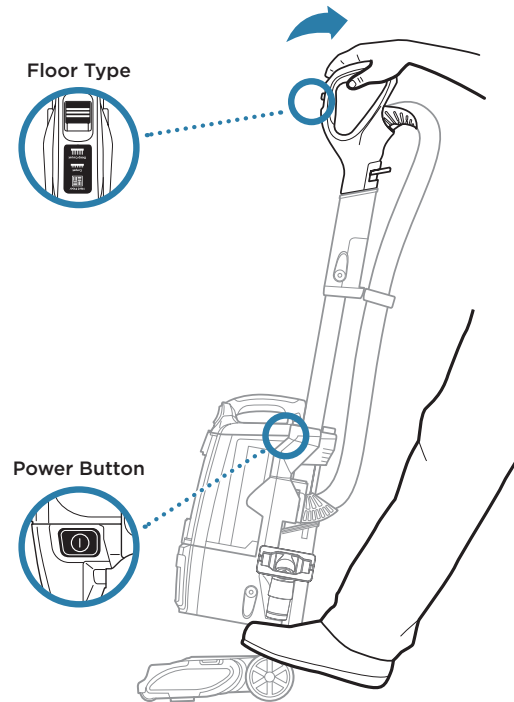
For complete instructions, see the enclosed Owner's Guide.

For additional parts and accessories, visit [sharkaccessories.com](http://sharkaccessories.com)

## VERSATILE FLOOR-TO-CEILING CLEANING

### UPRIGHT MODE

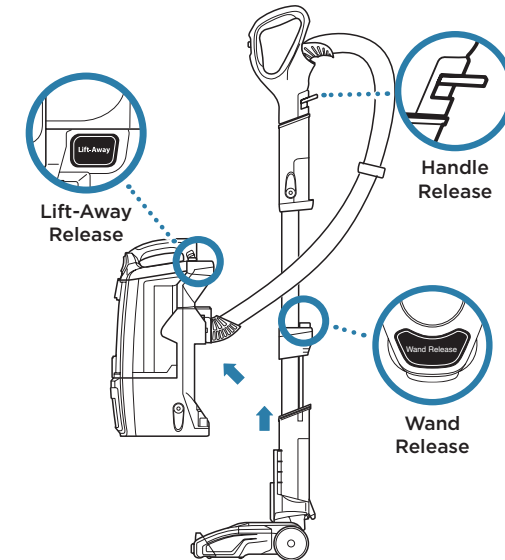
Use for carpet and hard-floor cleaning.



Place foot on floor nozzle and tilt handle back. Choose appropriate floor setting and press power button.

### LIFT-AWAY® MODE

Use for portable cleaning on stairs or above-floor areas.



Press Lift-Away Release button to lift pod off floor nozzle. You are now ready to clean those hard-to-reach places.

Attach any of the specialized cleaning accessories to the handle or wand.

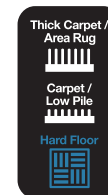
## DUOCLEAN® TECHNOLOGY

### ON FLOORS

Direct engagement with the Soft Roller removes large particles, small particles, and stuck-on dust.

#### Hard Floor

Gentle on bare floors.



The brushroll will spin slowly to help with debris pickup.

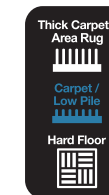


### ON CARPETS\*

The Soft Roller pulls in large particles, while the deep-cleaning bristle brush removes embedded fine dirt.

#### Carpet/Low Pile

Optimized brushroll speed and suction for thick carpets.

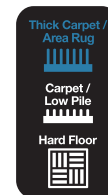


The brushroll will spin faster to help pick up debris below the surface.



#### Thick Carpet/Area Rug

Optimized brushroll speed and suction for thicker carpets and delicate area rugs.



\*For deep cleaning per ASTM F 608 (embedded dirt in carpet) use in Carpet/Low Pile mode.