

Shark®

WWW.SHARKCLEAN.COM

Professional SLIM
STEAM POCKET® MOP

S3452

OWNER'S GUIDE



IMPORTANT SAFETY INSTRUCTIONS SAVE THESE INSTRUCTIONS

For Household Use Only

WHEN USING YOUR SHARK® STEAM MOP, BASIC SAFETY PRECAUTIONS SHOULD ALWAYS BE FOLLOWED, INCLUDING THE FOLLOWING:

READ ALL INSTRUCTIONS BEFORE USING YOUR STEAM MOP.

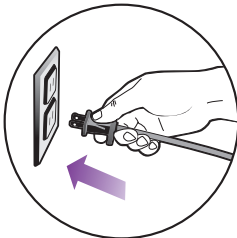


DANGER OF SCALDING.

Please use caution when using the steam mop. The steam emitted from the steam mop is very hot.

POLARIZED PLUG:

This appliance has a polarized plug (one blade is wider than the other). As a safety feature, this plug will fit into a polarized outlet only one way. If the plug does not fit fully into the outlet, reverse the plug. If it still does not fit, contact a qualified electrician. **Do not attempt to defeat this safety feature.**



WARNING:


TO REDUCE THE RISK OF FIRE, ELECTRIC SHOCK OR INJURY:

1. Use the system only for its intended use.
2. **DO NOT** use outdoors.
3. **DO NOT** leave the appliance unattended when plugged in. Always unplug the power cord from the electrical outlet when not in use and before servicing.
4. **DO NOT** allow to be used as a toy. **DO NOT** allow the appliance to be used by children. Close attention is necessary when used by or near children, pets or plants.
5. Use only as described in this manual.
6. Use only manufacturer's recommended accessories.
7. **DO NOT** operate the appliance with a damaged plug or cord, or if the unit has been dropped or damaged. To avoid the risk of electric shock, do not disassemble or attempt to repair the appliance on your own. Return the appliance to EURO-PRO Operating LLC for examination and repair. Incorrect re-assembly or repair can cause a risk of electrical shock or injury to persons when the appliance is used.
8. To protect against a risk of electric shock, **DO NOT** immerse the steam mop into water or any other liquids.
9. **DO NOT** handle plug or steam mop with wet hands or operate appliance without shoes.



TOLL FREE: 1-800-798-7398

10. **DO NOT** pull or carry by power cord, use power cord as handle, close a door on the power cord, or pull the power cord around sharp edges or corners. Keep power cord away from heated surfaces.
11. **DO NOT** unplug by pulling on power cord. To unplug, grasp the plug not the power cord. Do not use extension cords or outlets with inadequate current carrying capacity.
12. **DO NOT** put any objects into openings. Do not use with any opening that is blocked.
13. **DO NOT** put hands or feet under the steam mop. Unit gets very hot.
14. Use **ONLY** on flat, horizontal surfaces. Do not use on walls, counters or windows.
15. **DO NOT** use on leather, wax polished furniture or floors, synthetic fabrics, velvet or other delicate, steam sensitive materials.
16. **DO NOT** add cleaning solutions, scented perfumes, oils or any other chemicals to the water used in this appliance as this may damage the unit or make it unsafe for use. If you live in a hard water area, we recommend using distilled water in your steam mop.
17. When in use, NEVER turn the appliance over or on its side.
NEVER DIRECT STEAM TOWARDS PEOPLE, ANIMALS OR PLANTS.
18. **NEVER LEAVE THE STEAM MOP IN ONE SPOT ON ANY SURFACE FOR ANY PERIOD OF TIME WHEN MICRO-FIBER PAD IS ATTACHED AS THIS WILL DAMAGE YOUR FLOORS.**
19. Carefully remove the micro-fiber cleaning pad immediately after you have unplugged and allowed the steam mop to cool.
20. When cleaning the steam mop, unplug the power cord from the electrical outlet and clean with a dry or damp cloth. Do not pour water or use alcohol, benzene or paint thinner on the unit.
21. Extreme caution should be exercised when using this appliance to clean stairs.
22. Never use steam mop without micro-fiber cleaning pad attached.
23. Keep your work area well lit.
24. Store steam mop indoors in a cool, dry place.
25. To avoid circuit overload, do not operate another appliance on the same socket (circuit) as the steam cleaner.
26. If an extension cord is absolutely necessary, an extension cord rated a minimum of 15 ampere, 14 gage cord should be used. Cords rated for less amperage may overheat. Care should be taken to arrange cord so that it cannot be pulled or tripped over.
27. Always unplug and allow the steam mop to cool before removing or changing mop heads.

 **WARNING:** Your steam mop is designed to clean hard floor surfaces that will withstand high heat. Do not use on unsealed wood or unglazed ceramic floors. On surfaces that have been treated with wax or some no wax floors, the sheen may be removed by the heat and steam action. It is always recommended to test an isolated area of the surface to be cleaned before proceeding. We also recommend that you check the use and care instructions from the floor manufacturer.

This manual covers model number: S3452 11

TECHNICAL SPECIFICATIONS

Voltage: 120V., 60Hz.

Power: 1550 Watts

Water Capacity: 320ml (10 oz.)



TOLL FREE: 1-800-798-7398

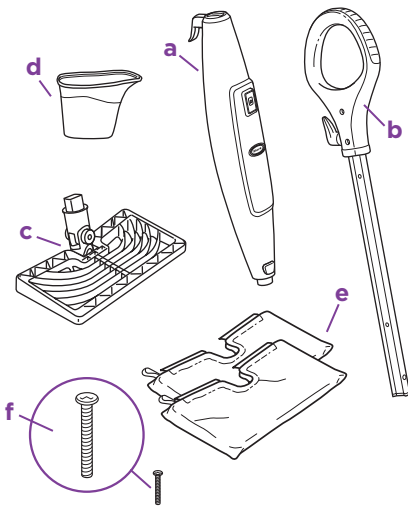
Contents

Thank you
for purchasing
the **Shark[®]**
Professional SLIM
Steam Pocket[®]
Mop.

Getting Started	2
Using Your Steam Mop	5
Care of Your Steam Mop	8
Troubleshooting Guide	10
Warranty.....	11

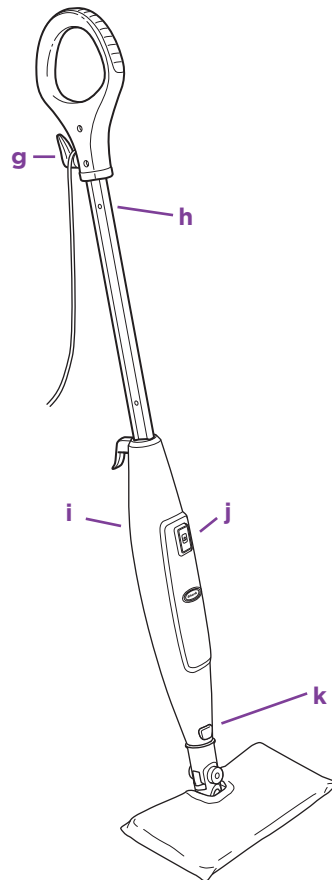
Getting Started

When assembling your steam mop there may be a little water in or around the water tank. This is because we test 100% our steam mops to ensure the quality of your *Shark*® Professional SLIM *Steam Pocket*® Mop.



- a** Steam Mop Body
- b** Mop Handle
- c** All-Purpose Mop Head (1)
- d** Filling Flask
- e** Two-Sided Micro-Fiber Cleaning Pads for the All-Purpose Mop Head (2)
- f** (1) 6mm x 52mm Large Screw*

*Phillips or flat head screwdriver can be used. Screwdriver not included.



- g** Quick Release Swivel Cord Wrap
- h** Cord Clips
- i** Water Tank
- j** Steam Control Button
- k** Mop Head Release Button

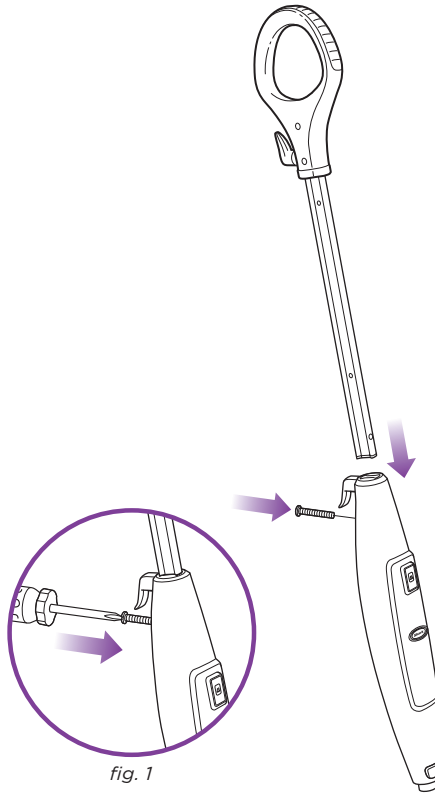


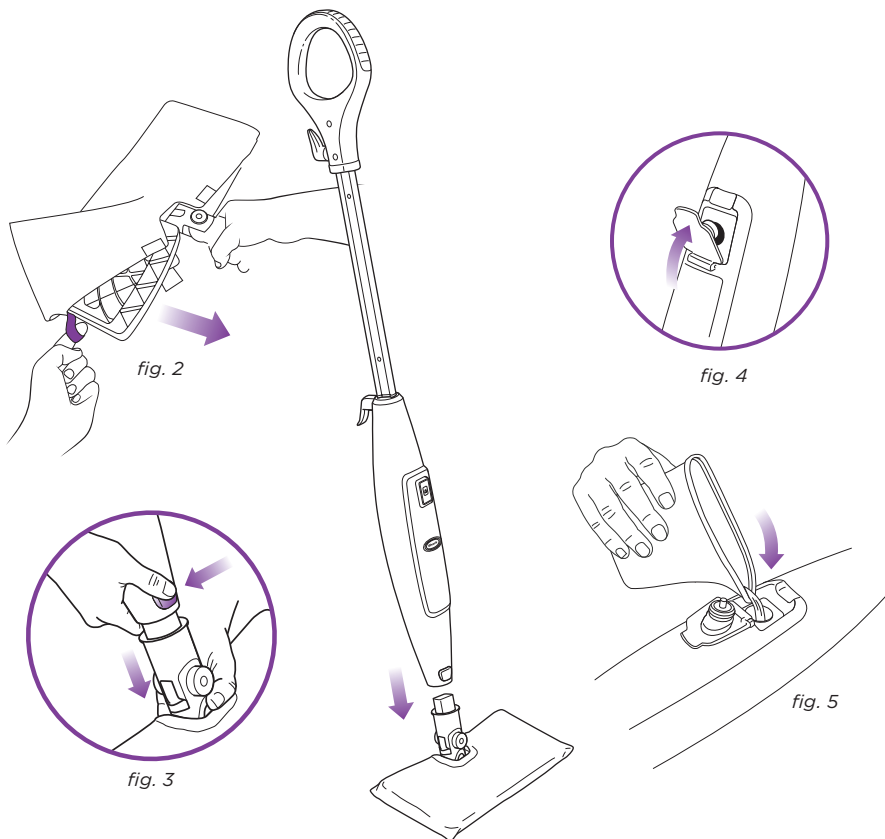
fig. 1

⚠ IMPORTANT: Always make sure the mop is **UNPLUGGED** from the wall when not in use. Never fill the mop, attach the mop head, change or remove the micro-fiber cleaning pad when the mop is plugged into a power outlet. To prolong the life of your **Shark® Professional SLIM Steam Pocket®** Mop, we recommend using distilled water. Make sure you only add water to the tank. Chemicals or cleaning solutions may damage the appliance and could be unsafe for you and your family.

ASSEMBLE

- 1 Insert the Mop handle end labeled “**Front**” into the steam mop body. Make sure it is inserted past the line printed on the pole. Secure the assembled handle and pole by using the large screw and a Phillips or a flat head screwdriver (screwdriver not included). (**fig. 1**)

Getting Started - cont'd



- 2 Use the lavender loop on the side of the micro-fiber cleaning pad to slide the mop head into the pad pocket. Then secure the quick fasteners on the top of the pocket to lock in place. (**fig. 2**)
- 3 Snap the mop head into the base to secure it. (**fig. 3**)
- 4 Open the water tank door. (**fig. 4**)

Use the filling flask and pour water into the tank. Do not overfill. Press the water tank door firmly to close. (**fig. 5**)

⚠ IMPORTANT: Do not use on unsealed wood or unglazed ceramic floors. On surfaces that have been treated with wax or some no wax floors, the sheen may be removed by the heat and steam action. It is always recommended to test an isolated area of the surface to be cleaned before proceeding. We recommend that you check the use and care instructions from the floor manufacturer.

! IMPORTANT: Do not use the mop without attaching a micro-fiber cleaning pad and adding water to the tank first.

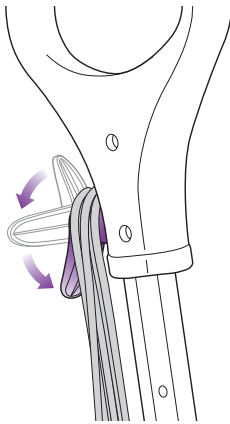


fig. 6

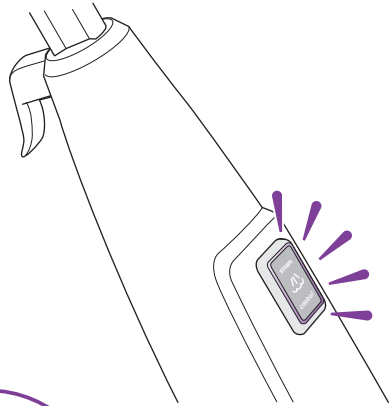
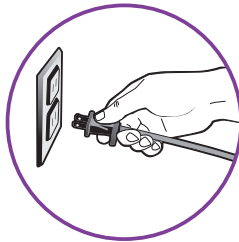


fig. 7

! IMPORTANT: Sweep or vacuum your floors prior to cleaning with your Steam Mop.

Visit www.sharkclean.com for other great quick cleaning products to complement your Steam Mop, such as the **Shark® Navigator™ Lift-Away®** (model NV350).

- 1 Pull and twist the quick release cord holder to unwrap the power cord completely. Plug into a 120-volt electrical outlet. **(fig. 6)**
- 2 The **STEAM CONTROL** button will flash blue. If the light does not turn on, reference the troubleshooting section on page 10. **(fig. 7)**

Using Your Steam Mop - cont'd

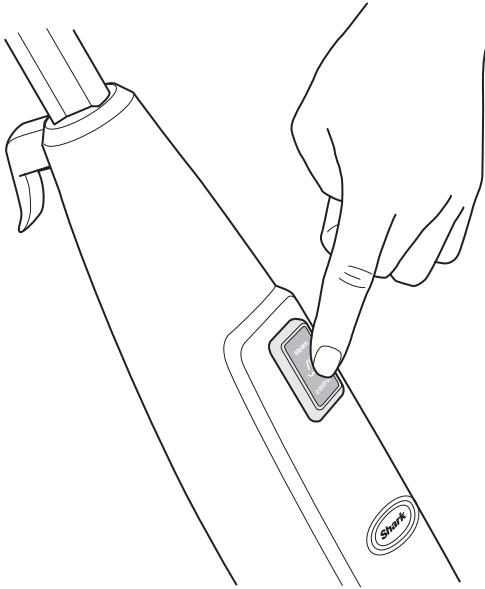


fig. 8

- 3 Press the **STEAM CONTROL** button once to activate the steam. The light turns solid blue when the unit is steaming (**fig. 8 & 7**)

NOTE: It may take up to 30 seconds for your mop to heat up and begin steaming. When you are using the mop for the first time, it might take longer than the normal 30 seconds to start steaming.

- 4 Clean your floors with a forward and backward motion. (**fig. 9**)

To stop the steam press the **STEAM CONTROL** button until the LED light turns flashing blue.

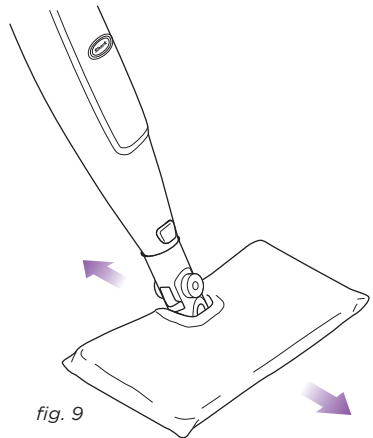


fig. 9

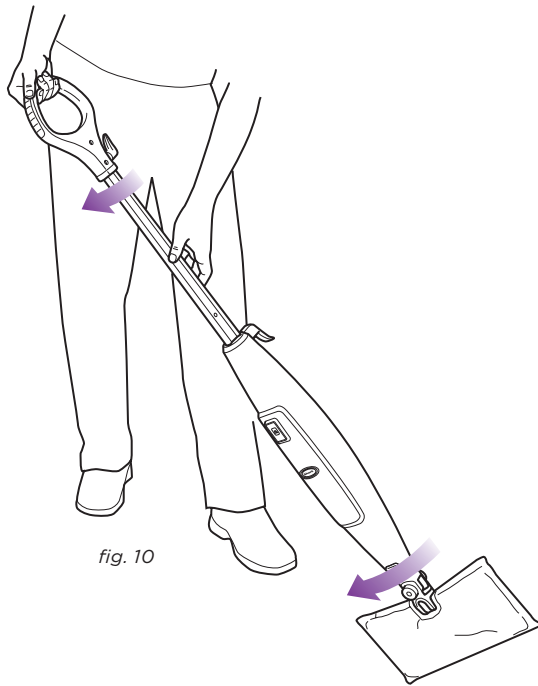
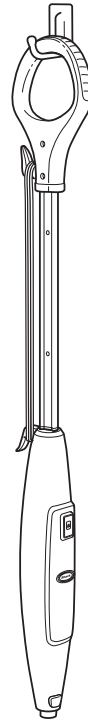
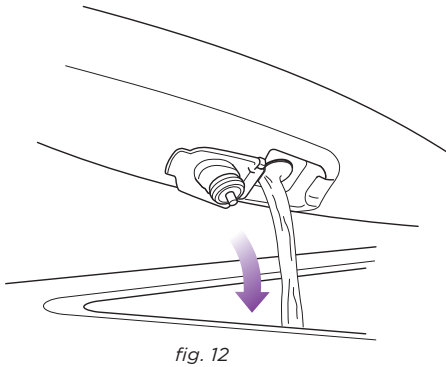
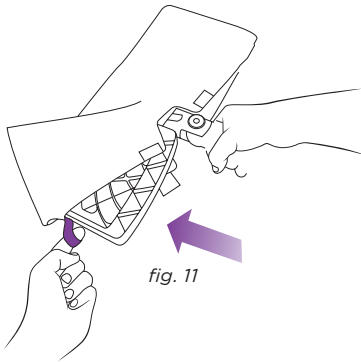


fig. 10

- 5 When one side of the micro-fiber cleaning pad gets dirty, just flip the mop over and you can quickly start using the other side. **(fig. 10)**
- 6 When the water tank is empty, the steam mop will stop producing steam. You can refill the water tank at any time as long as the mop is unplugged from the outlet. Reference the filling instructions from page 4.

⚠ NOTE: Please wait 2-3 minutes for the Steam Mop to cool off before removing the mop head or the micro-fiber cleaning pad. Never leave the steam mop with a damp/wet micro-fiber cleaning pad on any floor.

Care of Your Steam Mop



AFTER USE AND STORAGE

- 1 When you have finished using the steam mop, press the **STEAM CONTROL** button until the LED light turns flashing BLUE. This stops the unit from steaming. Unplug the cord from the outlet and place the mop into the upright position. Let the unit cool for 2-3 minutes.

Remove the micro-fiber cleaning pad by releasing the quick fasteners and using the lavender loop on the side of the pocket, avoiding contact with the hot pad or dirt. (fig. 11)

- 2 Empty the water tank before storage. Open the water tank door and empty the tank over a sink. Close the water cap. (fig. 12)
- 3 To store the **Shark® Professional SLIM Steam Pocket®** Mop hanging up, first remove the head (after it has cooled and the steam has been released) then hang on a large hook. (fig. 13)

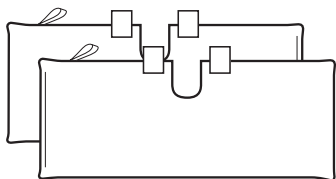


fig. 14

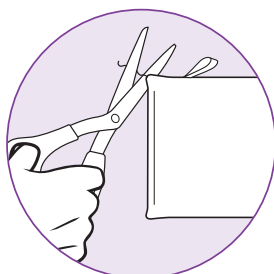


fig. 15

CARE OF YOUR MICRO-FIBER CLEANING PAD

- 1 We recommend washing your micro-fiber cleaning pad separately from other fabrics to avoid picking up lint. **Only use liquid detergent (no powder detergent). Do not use any fabric softeners or bleach.** Line dry or dry on a low dryer setting. (fig. 14)
- 2 If there are loose threads on the micro-fiber cleaning pad carefully cut the thread with scissors. Do not pull on them or cut at the base. (fig. 15)



To order additional parts and accessories, visit www.SharkClean.com or call 1-800-798-7398.

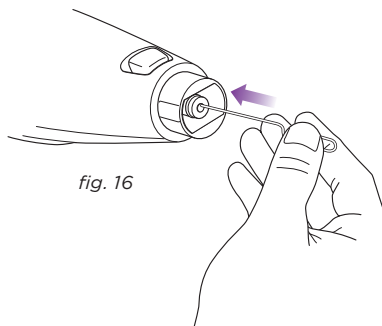


fig. 16

DECALCIFYING YOUR STEAM MOP

Calcium and mineral deposits can build up and impact the performance of your steam mop over time.

To extend the life of your product we recommend that you use distilled water or **Shark®**'s Water Filtration Bottle.

Visit www.SharkClean.com to order (model XTWFBOI).

CLEANING THE NOZZLE

Your steam mop should not normally require cleaning, however, should you notice a decrease in the steam output, it may be necessary to remove mineral deposits built up around the nozzle.

- 1 Unplug the steam mop from the electrical outlet.
- 2 Use a small diameter stiff metal wire, such as a straightened metal paperclip, and carefully insert the end of the wire into the nozzle orifice. (fig. 16)
- 3 Move the wire back and forth several times to remove any deposits.
- 4 Plug the steam mop in to the power outlet and test steam output.

Troubleshooting Guide

PROBLEM	POSSIBLE REASONS & SOLUTIONS
The Professional SLIM Steam Pocket [®] Mop will not turn-on.	Your steam mop should be securely plugged into a 120V AC electrical outlet only. Check your fuse or breaker. If your unit still does not work, call Customer care at 1-800-798-7398 .
The unit will not make steam.	Is there water in the water tank? If not, add water to your steam mop following instructions on page 4. If the unit still does not make steam, follow the decalcification instructions on page 9. If your unit still does not work, call Customer care at 1-800-798-7398 .
Cannot activate steam flashing blue light remains on.	If you have already plugged in your unit, unplug and try a different outlet. This may reset the standby mode. Add water to the tank and press the STEAM CONTROL button to select a steam setting. If your unit still does not work, call Customer care at 1-800-798-7398 .
The Professional SLIM Steam Pocket [®] Mop leaves water on the floor.	Check to see if your micro-fiber cleaning pad is soaked through. We recommend you unplug the steam mop and change the micro-fiber cleaning pad. Make sure the micro-fiber cleaning pad is attached correctly.
The Professional SLIM Steam Pocket [®] Mop left a white spot on the floor.	Do not leave your steam mop on the floor with a damp or wet cleaning pad. If you're using tap water we recommend switching to distilled water. Make sure the water tank door is closed securely.
There is a square block in my water tank.	Shark [®] provides in-tank water treatment media to help reduce scale build-up caused by hard water. The square you are seeing is the water treatment packet that will help minimize the build-up and calcification to extend the life of your mop. Shark [®] recommends you use distilled water to prevent hard water scaling to ensure the longevity and durability of your mop.
Floors are cloudy, streaky or spotty after steaming.	The micro-fiber cleaning pad might be dirty. Flip or change the cleaning pad. If you washed the cleaning pad with powder detergent, then it may be damaged and require replacement. Replacement pads are available at sharkclean.com . You might have left the mop in the same spot for too long. Do you have hard water? If you do, you might want to switch to distilled water. This might be leftover from past cleaners used on the floor surface. Use the Steam Mop a few more times and see if the leftover cloudiness is removed. If this does not work, we suggest rinsing the floor with water, letting it dry, and then steam mopping again with a clean pad. One or more rinses generally removes the residue. A more stubborn case may require you to rinse the floor with a mix of one part vinegar and two parts water.
The Professional SLIM Steam Pocket [®] Mop is hard to push.	Make sure the micro-fiber cleaning pad is attached correctly. Check to see if the cleaning pad is excessively dirty. Replace if the cleaning pad is too dirty or wet.



ONE (1) YEAR LIMITED WARRANTY

EURO-PRO Operating LLC warrants this product to be free from defects in material and workmanship for a period of one (1) year from the date of the original purchase, when utilized for normal household use, subject to the following conditions, exclusions and exceptions.

If your appliance fails to operate properly while in use under normal household conditions within the warranty period, return the complete appliance and accessories, freight prepaid. For Customer Service support, call 1 (800) 798-7398 or visit our website www.sharkclean.com.

If the appliance is found to be defective in material or workmanship, **EURO-PRO Operating LLC** will repair or replace it free of charge. Proof of purchase date and \$ 19.95 to cover the cost of return shipping and handling must be included. *

The liability of **EURO-PRO Operating LLC** is limited solely to the cost of the repair or replacement of the unit at our option. This warranty does not cover normal wear of parts and does not apply to any unit that has been tampered with or used for commercial purposes. This limited warranty does not cover damage caused by misuse, abuse, negligent handling or damage due to faulty packaging or mishandling in transit. This warranty does not cover damage or defects caused by or resulting from damages from shipping or repairs, service or alterations to the product or any of its parts, which have been performed by a repair person not authorized by **EURO-PRO Operating LLC**.

This warranty is extended to the original purchaser of the unit and excludes all other legal and/or conventional warranties. The responsibility of **EURO-PRO Operating LLC** warranty if any, is limited to the specific obligations expressly assumed by it under the terms of the limited warranty. **In no event is EURO-PRO Operating LLC** liable for incidental or consequential damages of any nature whatsoever. Some states/provinces do not permit the exclusion or limitation of incidental or consequential damages, so the above may not apply to you.

This warranty gives you specific legal rights, and you may also have other rights which vary from state to state or province to province.

***Important: Carefully pack item to avoid damage in shipping. Be sure to include proof of purchase date and to attach tag to item before packing with your name, complete address and phone number with a note giving purchase information, model number and what you believe is the problem with the item. We recommend you insure the package (as damage in shipping is not covered by your warranty). Mark the outside of your package "ATTENTION CUSTOMER SERVICE". We are constantly striving to improve our products, therefore the specifications contained herein are subject to change without notice.**

Product Registration

Please visit www.sharkclean.com or call **1-800-798-7398** to register your new **Shark®** product within ten (10) days of purchase. You will be asked to provide the store name, date of purchase and model number along with your name and address.

The registration will enable us to contact you in the unlikely event of a product safety notification. By registering you acknowledge to have read and understood the instructions for use, and warnings set forth in the accompanying instructions.

EURO-PRO Operating LLC
U.S.: Newton, MA 02459
Canada: Ville St. Laurent, Québec H4S 1A7

1-800-798-7398

www.sharkclean.com

COPYRIGHT© EURO-PRO OPERATING LLC 2012

PRINTED IN CHINA

Illustrations may differ from actual product.

S3452.E.120515.1