

Please be sure to read the enclosed Shark® Owner's Guide prior to using your unit.

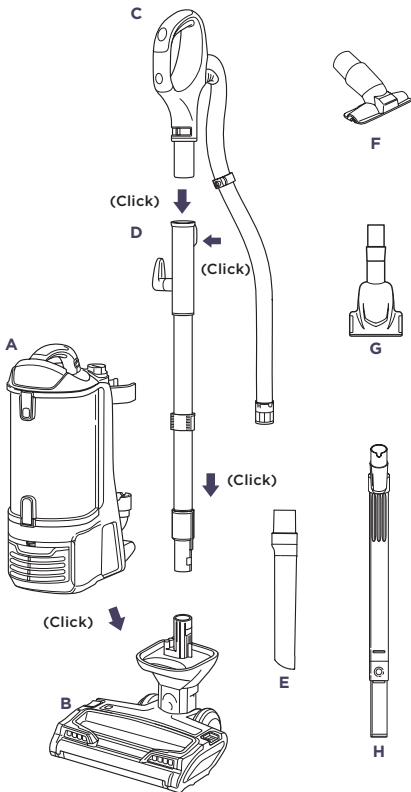
# Shark® LIFT-AWAY® UPRIGHT VACUUM

## QUICK START GUIDE

### WHAT'S INSIDE

- A Vacuum Pod
- B Motorized Floor Nozzle
- C Handle & Hose
- D Extension Wand
- E 12" Crevice Tool
- F Upholstery Tool
- G Pet Power Brush
- H Under-Appliance Wand

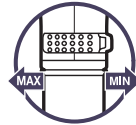
### ASSEMBLY



**NOTE:** For proper operation, ensure all parts are firmly **CLICKED** into place.

### TWO WAYS TO CLEAN

#### UPRIGHT



#### Suction Control

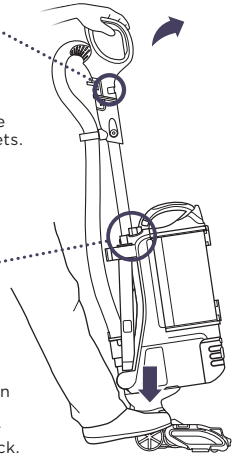
Slide to MIN to increase maneuverability on carpets.

Slide to MAX for more suction on bare floors.



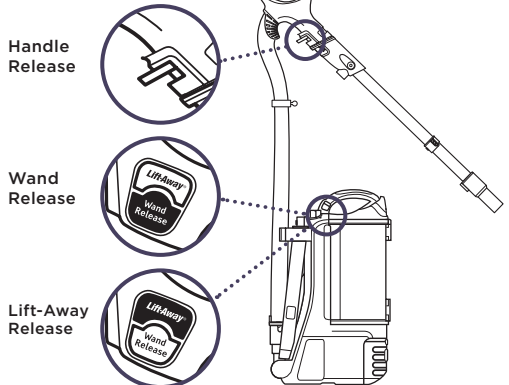
#### Power/Surface switch

Press switch to select surface setting or to turn off power. To engage brushroll, step on floor nozzle and tilt handle back.



#### LIFT-AWAY®

Press release buttons to lift pod off nozzle, or to release handle or wand.

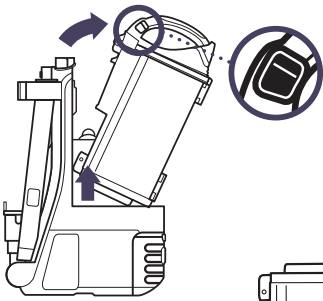


Attach accessories to handle or wand.

## EMPTYING THE DUST CUP

Empty the dust cup after each use.

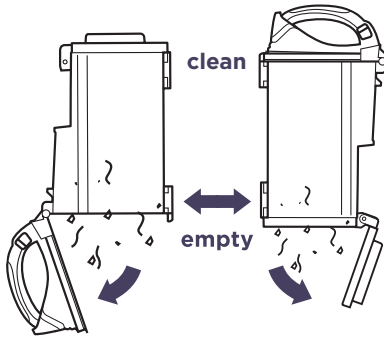
release



### MAINTENANCE:

Rinse pre-motor filters every 3 months, and HEPA filter once a year. Rinse with water only, and allow to air-dry completely before reinstalling.

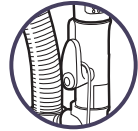
See enclosed Owner's Guide for more information on how to clean and replace the filters.



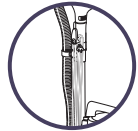
## TIPS



For quick cord access, rotate upper hook down and remove cord.



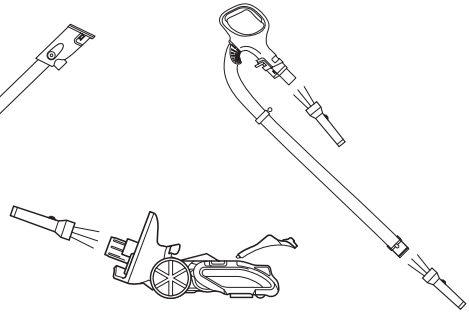
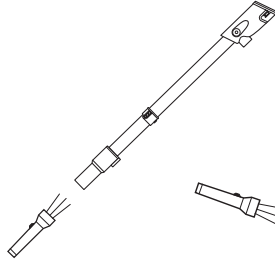
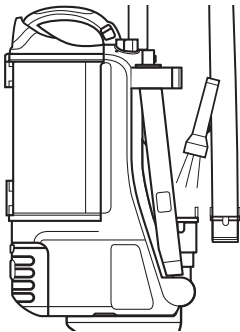
Move cord hook to upright position to secure cord in place.



To store your vacuum, wrap cord around upper and lower hooks.

## CHECKING FOR BLOCKAGES

If any hair is wrapped around brushroll, extending cleaning time will help it clear.



Detach hose from vacuum pod, and check hose and opening on back of pod for blockages.

Detach wand from floor nozzle and handle, and check both ends for blockages.

Detach wand from floor nozzle, tilt nozzle neck back, and check opening for blockages.

**ZERO-M**

## Zero-M® Self-Cleaning Brushroll

The Shark Zero-M self-cleaning brushroll delivers nonstop hair removal. Check for blockages or objects stuck in the brushroll.

For questions or to register your product, visit us online at [sharkclean.com](http://sharkclean.com)

