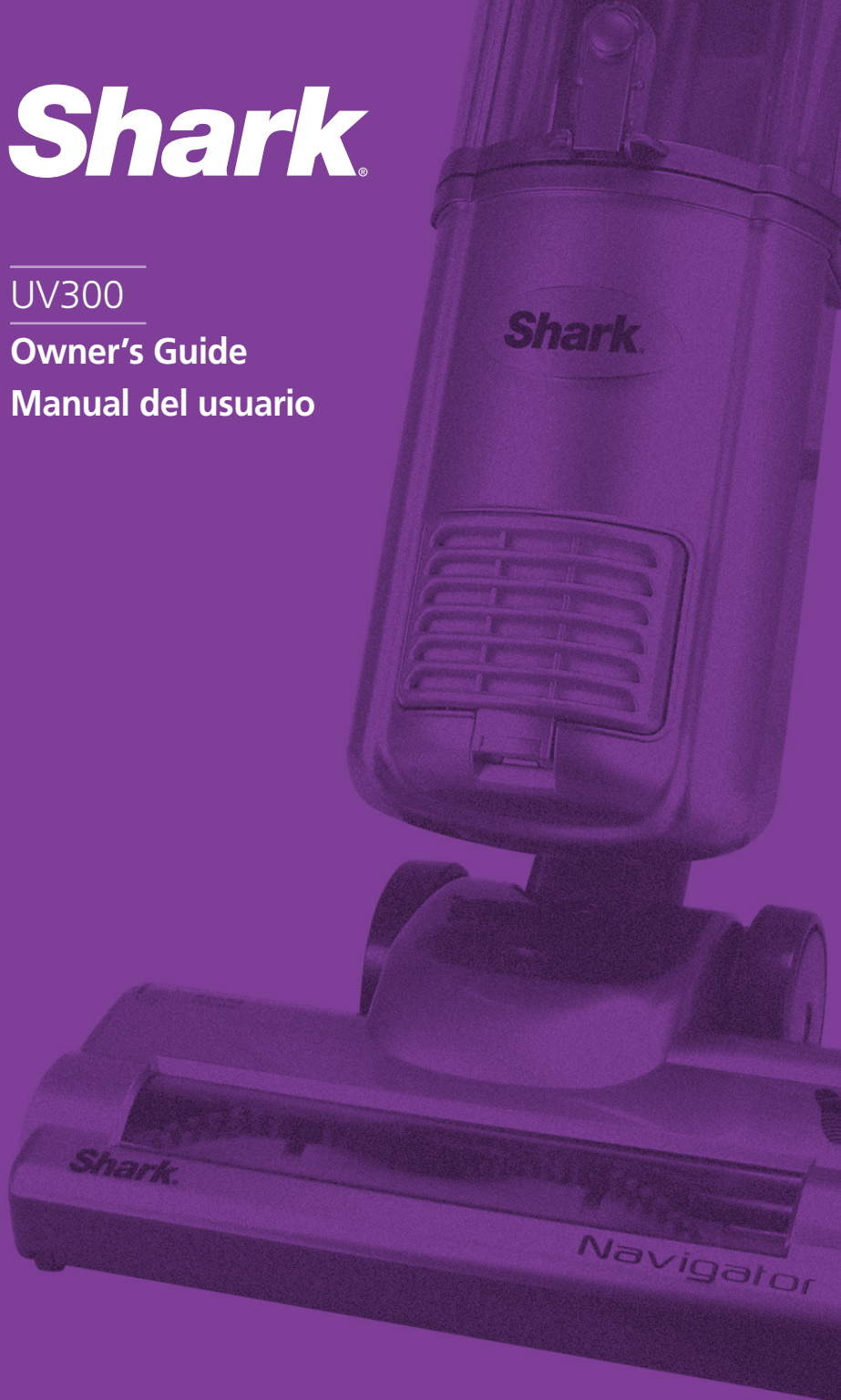


Shark.

UV300

Owner's Guide

Manual del usuario



This manual covers model:

UV300 26

TECHNICAL SPECIFICATIONS

Voltage: 120V.

Watts: 700W

Amps: 5.83A

Hertz: 60Hz



TOLL FREE: 1-800-798-7398

Contents

Thank you for
purchasing
the **Shark®**
Navigator™
Vacuum.

Important Safety Instructions	2
Getting Started	4
Assembly	4
Using the Vacuum	6
Emptying the Dust Cup Assembly	7
Proper Care of Your Vacuum	8
Troubleshooting	9
Checking for Blockages	10
Maintenance	11
Warranty and Registration	13

IMPORTANT SAFETY INSTRUCTIONS

For Household Use Only

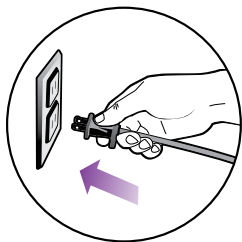
WHEN USING YOUR SHARK® NAVIGATOR™ VACUUM, BASIC SAFETY PRECAUTIONS SHOULD ALWAYS BE FOLLOWED, INCLUDING THE FOLLOWING:

READ ALL INSTRUCTIONS BEFORE USING YOUR SHARK® NAVIGATOR™ VACUUM.

POLARIZED PLUG:

This appliance has a polarized plug (one blade is wider than the other). As a safety feature, this plug will fit into a polarized outlet only one way.

Do not force into the outlet or try to modify the plug to fit.



⚠ WARNING:
TO REDUCE THE RISK OF ELECTRIC SHOCK OR INJURY DO NOT USE OUTDOORS OR ON WET SURFACES.

GENERAL ELECTRICAL SAFETY:

1. Unplug from electrical outlet when not in use and before servicing.
2. **DO NOT** use vacuum with a damaged cord or plug.
3. **DO NOT** pull or carry vacuum by the cord.
4. **DO NOT** unplug by pulling on cord; to unplug, grasp the plug, not the cord.
5. **DO NOT** handle plug or vacuum cleaner with wet hands.
6. **DO NOT** run the vacuum over the power cord.
7. **DO NOT** close a door on the cord.
8. **DO NOT** pull cord around sharp edges or corners.
9. **DO NOT** leave appliance when plugged in.
10. Keep power cord away from heated surfaces.
11. Turn off all controls before plugging or unplugging vacuum cleaner.

GENERAL USE:

12. Use only as described in this manual.
13. **DO NOT** put any objects into openings.
14. Keep your work area well lit.
15. Keep the vacuum moving over the carpet surface at all times to avoid damaging the carpet fibers.
16. **DO NOT** place vacuum on unstable surfaces such as chairs or tables.
17. **DO NOT** allow young children to operate the vacuum or use as a toy.
18. Close attention is necessary when used by or near children.
19. **DO NOT** use vacuum cleaner if the appliance is not working as it should, has a damaged plug or cord, if the unit has been dropped, damaged, left outdoors or submerged in water. Return to EURO-PRO Operating LLC for examination, repair or adjustment.

GENERAL CLEANING:

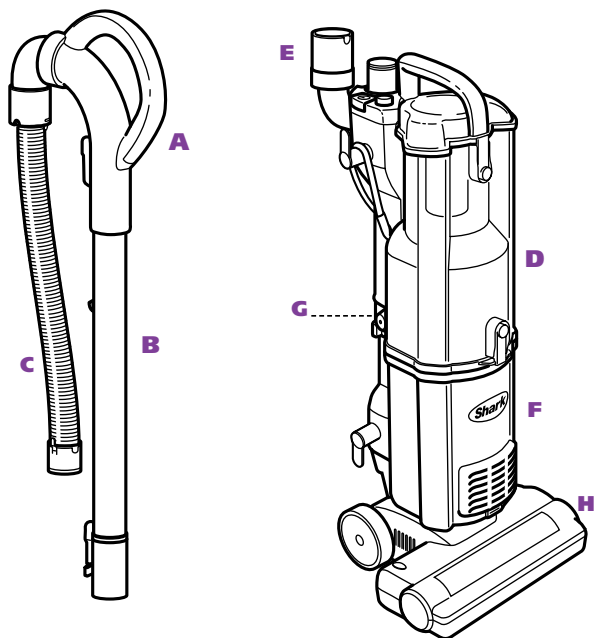
20. **DO NOT** run the vacuum over large-sized objects.
21. **DO NOT** pick up hard or sharp objects such as glass, nails, screws or coins that could damage the vacuum cleaner.
22. **DO NOT** pick up smoking or burning objects such as hot coals, cigarette butts or matches.
23. **DO NOT** pick up flammable or combustible materials such as lighter fluid, gasoline, kerosene or use in areas where they may be present.
24. **DO NOT** pick up toxic solutions such as chlorine bleach, ammonia or drain cleaner.
25. **DO NOT** use in an enclosed space where vapors are present from paint, paint thinner, moth-proofing substances, flammable dust or other explosive or toxic materials.
26. **DO NOT** vacuum up any liquids.
27. **DO NOT** immerse vacuum cleaner in water or other liquids.
28. **DO NOT** use outdoors or on wet surfaces; use only on dry surfaces.
29. Use extra care when cleaning on stairs.
30. Before turning on the vacuum:
 - Make sure that dust cup, and all filters are in place after routine maintenance.
 - Make sure that all components and filters are thoroughly dry after routine cleaning.
 - Only use filters and accessories provided by EURO-PRO Operating LLC [Failure to do so will void the warranty]

HOSE ATTACHMENTS:

31. **DO NOT** put any object into openings. Do not use with any opening blocked. Keep free of lint, hair and anything that may reduce airflow.
32. **DO NOT** use if air flow is restricted; if the air paths, the hose or the extension tube become blocked, turn the vacuum cleaner off. Remove all obstructions before you turn on the unit again.
33. Keep the end of the hose, wands and other openings away from face, body and loose clothing.
34. Keep rotating brush and suction openings away from hair, face, fingers, uncovered feet or loose clothing.
35. Only use manufacturer's recommended attachments.

SAVE THESE INSTRUCTIONS

Getting Started



FIRST THING'S FIRST, YOU NEED TO KNOW WHAT'S IN THE BOX YOU JUST OPENED:

- A** Handle
- B** Extension Wand
- C** Stretch Hose
- D** Dust Cup
- E** Hose Connector
- F** Vacuum Body
- G** Accessory Holder
- H** Power Nozzle

Optional tools are available for sale. To order additional parts or accessories go to www.sharkclean.com.

Assembly

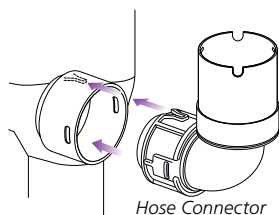


Fig. 1

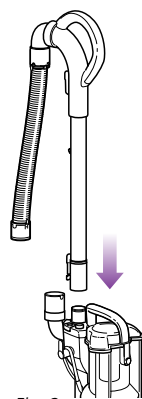


Fig. 2

YOUR SHARK® NAVIGATOR™ IS EASY TO ASSEMBLE:

- 1** Place your vacuum body upright on a level surface.
- 2** Insert the hose connector into the opening on the back of the vacuum body. (**Fig. 1**)
NOTE: Once the hose connector has been inserted, it cannot be removed.
- 3** Insert the handle with the extension wand into the top of the vacuum until secure. (**Fig. 2**)

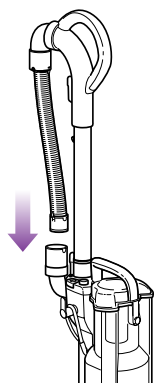


Fig. 3

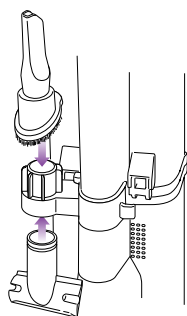


Fig. 4

 Not all accessories are available on all models.

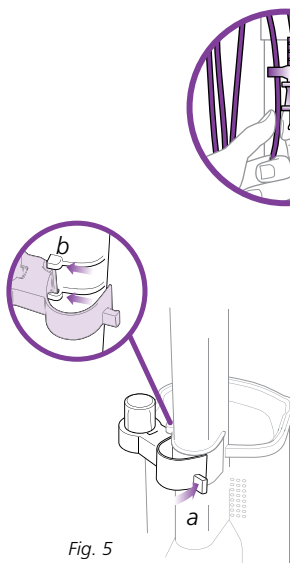


Fig. 5

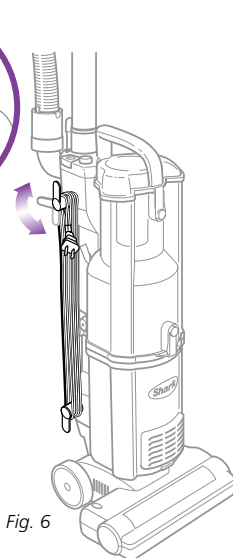


Fig. 6

- 4** Insert the stretch hose into the hose connector on the back of the unit. Make sure that it snaps in place. **(Fig. 3)**
- 5** Store your on-board tools onto the accessory holder located on the back of the unit. **(Fig. 4)**
NOTE: The accessory holder is removable. In order to remove or attach the accessory holder, you must remove the dust cup first. To remove the accessory holder, just hold the tab **(a)**, rotate left and pull out. To replace, align the pins into the hinges **(b)** on the vacuum. Rotate it fully to secure. **(Fig. 5)**


- 6** When storing your vacuum, wind the power cord around the two cord holders and secure with cord clip. **(Fig. 6)**
- 7** There is a Quick Cord Release on the top cord holder. Simply turn to the left or right to release the power cord. To store the unit, the cord holder should be in the upright position.
! IMPORTANT: For suction to reach the power nozzle, the extension wand and stretch hose must be attached securely on the vacuum body.

8 TO CARRY THE VACUUM:

With the unit in the standing position, lift by the Dust Cup Handle (carry handle).

- ! CAUTION:** When lifting or carrying, **DO NOT** press Dust Cup release button .

Using the Vacuum

 The height of your power nozzle has been optimized for easy pushing and superior cleaning on all floor types. There is no need to make any height adjustments as you transition to different floor & carpet types.

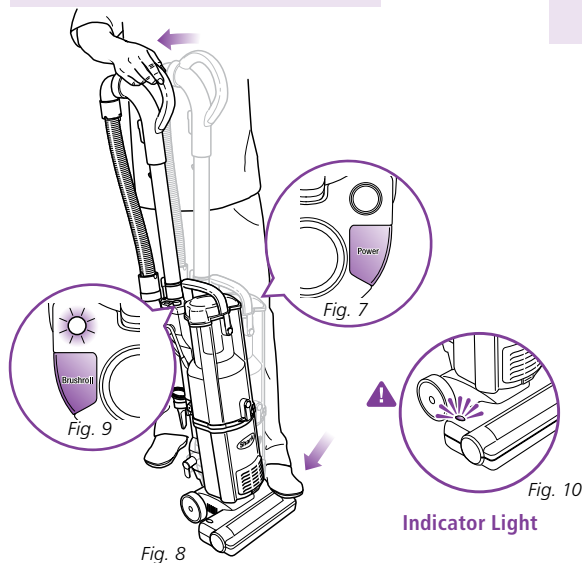


Fig. 8


Your **Shark® Navigator™** can be used to clean all surface types.


- 1 Plug in the vacuum.
- 2 Push the "Power" button. (Fig. 7)
- 3 Place your foot on the power nozzle and pull the handle back towards you. (Fig. 8)

NOTE: This vacuum has a separate "Brushroll" button on the top of the vacuum. (Fig. 9)

4 CLEAN CARPETS:


Engage the brushroll by pushing the "Brushroll" button to the "ON" position. The brushroll light will turn green. (Fig. 9)

 **IMPORTANT:** To protect your carpets, the brushroll will only turn on when you have pulled the handle back towards you and released the power nozzle.

 **IMPORTANT:** The brushroll indicator light on the power nozzle will illuminate solid red if there is a blockage. (Fig. 10) This feature is designed to protect your Lifetime Belt that powers your brushroll. **See Checking for Blockages on page 10.**

5 CLEAN BARE FLOORS:

For cleaning bare floors or to clean with the hose, push the "Brushroll" button to the "OFF" position for suction only. The brushroll light will turn off. The brushroll will not spin in this mode.

 **Always hold the vacuum when using the hose to clean so that it does not tip over.**

DO NOT pull vacuum cleaner around by the hose.

DO NOT over-extend the hose.

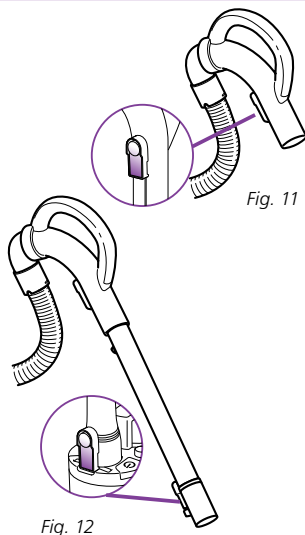


Fig. 12

6 CLEAN ABOVE-FLOORS WITH HOSE:

You can attach the accessories onto the handle or onto the extension wand for a longer reach.

- a Stand the vacuum into upright position.
- b To remove the handle only, press the handle release button. (Fig. 11)
- c To remove the handle with the extension wand, press the extension wand release button on the back of the vacuum. (Fig. 12)
- d Push the selected tool into the end of the handle or handle with extension wand for longer reach and begin cleaning.

To order additional parts and accessories, go to www.sharkclean.com.

Emptying the Dust Cup Assembly

💡 For best results empty the Dust Cup Assembly after each use; or as needed during prolonged usage, or when it reaches the **MAX** fill line.

DO NOT OVERFILL.

Turn vacuum off before emptying.

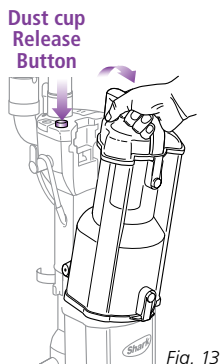


Fig. 13

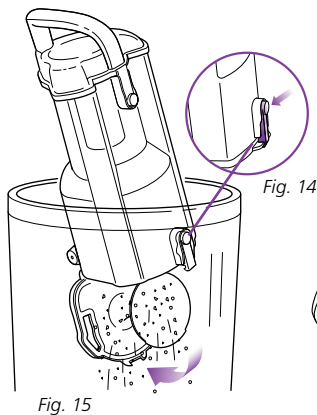


Fig. 15

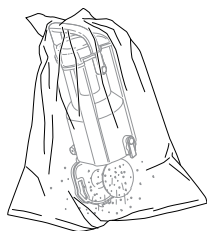


Fig. 16

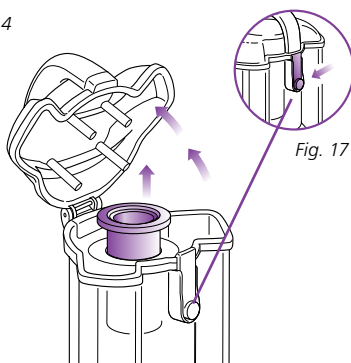


Fig. 17

Fig. 18

TO EMPTY THE DUST CUP ASSEMBLY:

- 1 Press the Dust Cup release button (🔒) and remove the dust cup from the vacuum. (Fig. 13)
 - 2 Grip carry handle and press the bottom Dust Cup Door release button. (Fig. 14)
 - 3 **Option A:** for Quick Empty: Insert Dust Cup Assembly deep inside trash receptacle to contain dust and debris. (Fig. 15)
Press the bottom Dust Cup Door release button; tap container gently to dislodge and release dust and debris.
Close the bottom door until it snaps in place.
- ⚠️ **Important:** If the Dust Cup Door does not swing open freely after pressing the release button, push the door open using the bottom door tabs.

- 4 **Option B:** For Allergy Sufferers: Wrap a trash bag around the Dust Cup Assembly leaving space at the bottom for the door to swing open. (Fig. 16)

Locate the Dust Cup Door release button within the trash bag and press to release as you shake the dust cup to empty dust and debris.

Close the bottom door until it snaps in place.

- ⚠️ **Note:** Option B can also be performed outside of the home to further minimize releasing dust back into the air. Carry just the Dust Cup Assembly and trash bag outside.

- ⚠️ **Note:** It may become necessary to occasionally clean the metal screen inside the dust cup. To clean, press the top dust cup release button (Fig. 17), pull out the metal screen and remove any excess dirt. Then replace the metal screen inside the dust cup and close the top lid. (Fig. 18)

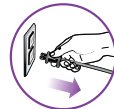
Proper Care of Your Shark® Upright Vacuum

COMPONENT	MAINTENANCE SCHEDULE
1 Dust Cup	Empty each time you vacuum.
2 Pre-Motor Foam Filter	Rinse and air dry every month under normal use.
3 Pre-Motor Felt Filter	Rinse and air dry every month under normal use.
4 Post-Motor Filter	Clean once every 12 months under normal use.

⚠ DO NOT put the filters in the washing machine or dishwasher.

NOTE: The material in the filter will discolor over time. This is NORMAL and will not affect the performance of the filter.

⚠ IMPORTANT: Loss of Suction may occur if foam filters are not cleaned every month. Rinse and allow to air dry completely. Foam filters may appear dirty after use - this is normal.



⚠ CAUTION: Unplug the vacuum while cleaning filters; failure to do so might result in electric shock.

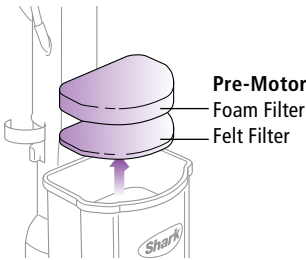


Fig. 19

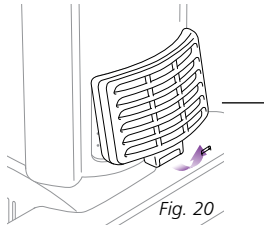


Fig. 20

CLEANING THE PRE-MOTOR FILTERS

- 1 Remove the dust cup.
- 2 Pull the 2 filters out from the top of the motor base. (Fig. 19)
- 3 Rinse the filters thoroughly in lukewarm water until the water runs clear.
- 4 Squeeze out excess water and let air-dry for at least 24 hours before replacing. Do not use a hair dryer or other heating methods to dry.
- 5 Place the felt filter in first, then the foam filter.
- 6 Replace the dust cup.

CLEANING THE POST-MOTOR FILTER

- 1 Remove the filter cover from the front of the vacuum by pulling up on the tab and pulling the cover away from the vacuum. (Fig. 20)
- 2 Remove the filter from the frame and wash the filter under the tap using lukewarm water.
- 3 Allow the filter to air dry for 24 hours. Do not use a hair dryer or other heating methods to dry.
- 4 Once the filter is dry, replace it back into the vacuum.
- 5 Replace the cover by inserting the two tabs into the holes at the top and then swinging the cover down until it clicks into place.

NOTE: Filters may appear dirty but frequent cleaning of these is not necessary. See maintenance schedule above.



Troubleshooting


WARNING:

To reduce the risk of electric shock, the power cord must be disconnected before performing maintenance/troubleshooting checks.

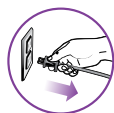
PROBLEM	POSSIBLE REASONS & SOLUTIONS
Vacuum will not run.	Check to see if the vacuum is plugged in properly. Check the circuit breaker/fuse. Check the On/Off button.
Vacuum is not picking up dirt. Airflow is restricted. No suction or light suction.	Check filters to see if they need cleaning. Follow instructions for rinsing and drying the filters before re-inserting back into the vacuum. (See "Maintenance" sections for instructions.) Dust cup may be full; empty dust cup. Check hose and hose connections for blockages; clear blockages if required. If dust cup is empty, and attachment inlets are clear, check for other blockages. (See "Checking for Blockages" for instructions.)
Brush roll does not turn on.	Press the "Brushroll" button to the "ON" position. The brushroll light near this button will illuminate green when "ON". Place your foot on the floor brush and pull the handle back to engage the brushroll. If the red light on the power nozzle is illuminated, see the section on Checking for Blockages.
Vacuum turns off on its own.	This vacuum cleaner is equipped with a motor protective thermostat. If for some reason your vacuum overheats, the thermostat will automatically turn the unit off. Should this occur, perform the following steps to restart the motor thermostat: <ol style="list-style-type: none"> 1. Press the "Power" button to the (Off) position. 2. Unplug the vacuum. 3. Empty the dust cup and clean filters. (See "Maintenance" sections for instructions.) 4. Check for blockages in hose, accessories and inlet openings. (See "Checking for Blockages" for instructions.) 5. Allow the unit to cool for a minimum of 45 minutes. 6. Plug in the vacuum. 7. Press the "Power" button to the (On) position to restart the vacuum. <p>Note: If vacuum still does not start, contact Customer Service at: 1-800-798-7398.</p>

To purchase replacement parts, please visit our website: www.sharkclean.com .

Checking for Blockages

Blockages may cause your vacuum to overheat and shut down. If this occurs, clear the blockages, then follow the instructions for **Resetting the Motor Thermostat** on page 11.

⚠ IMPORTANT: Never insert sharp objects into any opening to clear an obstruction. Damages caused while clearing or attempting to clear blockages are not covered under your product's limited warranty.



Unplug the vacuum before checking for blockages.

Reassemble all parts securely before operating vacuum.

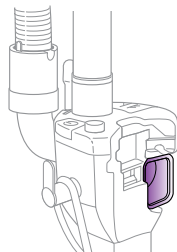


Fig. 21

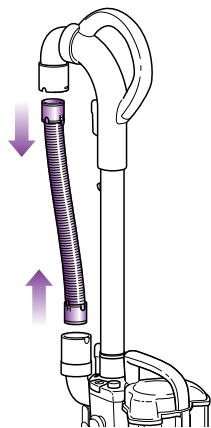


Fig. 23

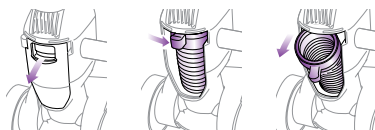
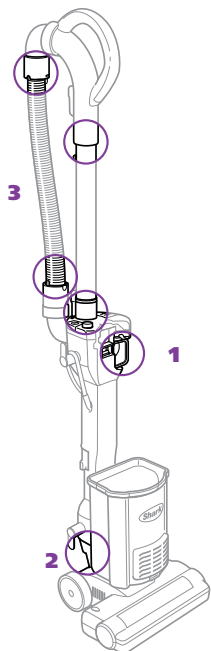


Fig. 22



1 DUST CUP AIR DUCT:

Stand vacuum upright.

Remove Dust Cup Assembly and empty Dust Cup if necessary.

Check Air Duct behind Dust Cup for clogs; clear before replacing Dust Cup Assembly. (Fig. 21)

2 HOSE INTAKE OPENING:

Hold the top of the hose access door and pull firmly to remove. Slide the knob to the center and pull out the hose. (Fig. 22)

Remove any obstructions and push the hose back in.

Slide the knob to the left and snap the hose access door shut.

3 HOSE:

Disconnect the Stretch Hose by gently pressing the tabs together and pulling away from the hose connector.

Remove hose from both the unit and handle ends. (Fig. 23)

Inspect the length of the hose and remove any obstructions.

Maintenance

Resetting the Motor Thermostat

Your **Shark® Navigator™** is equipped with a protective Motor Thermostat. If the motor should overheat, the thermostat shuts off the power.

TO RESET THE MOTOR THERMOSTAT:

Press the Power Button (⏻) to turn the unit "Off".

Unplug the vacuum.

Check for clogged hose or filter; unclog hose and replace filter. Refer to **Checking for Blockages** on page 10.

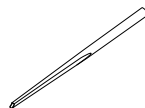
Wait 45 minutes for vacuum to cool; then plug in the vacuum.

Press the Power Switch (⏻) to start the vacuum.

NOTE: If vacuum still does not start, contact Customer Service at: 1-800-798-7398.

Get even more cleaning from your **Shark® Navigator™** by checking out our cleaning accessories assortment at www.sharkclean.com.

Bookmark the page and check back often to take advantage of the latest products, promotions and prices!



ADDITIONAL ACCESSORIES (AVAILABLE FOR PURCHASE):

MULTI-TOOL

Convenient crevice tool and dusting brush in one.

PET/UPHOLSTERY TOOL

Removes hair from upholstery and stairs.

CREVICE TOOL

Reach deep into narrow spaces and clean between cushions, under radiators and baseboards and in hard to reach crevices and corners.

NOTE: Some accessories may be included with your purchase.

To order Additional Parts & Accessories go to www.sharkclean.com.

PART	PART NO.
Stretch Hose	126FFJ
Multi-Tool	127FFJ
Foam & Felt Filter	XFL100
Extension Wand	1116-FC
24" Crevice Tool	122FFJ
11" Crevice Tool	129FFJ
Pet/Upholstery Tool	128FFJ

Euro-Pro Three-Year (3) Limited Warranty

EURO-PRO Operating LLC warrants this product to be free from defects in material and workmanship for a period of three (3) years from the date of the original purchase, when utilized for normal household use, subject to the following conditions, exclusions and exceptions.

If your appliance fails to operate properly while in use under normal household conditions within the warranty period, return the complete appliance and accessories, freight prepaid to:

- **U.S.: EURO-PRO Operating LLC**
For customer service support call 1-800-798-7398
or visit www.sharkclean.com
- **Canada: EURO-PRO Operating LLC**
4400 Bois Franc, St. Laurent, Québec H4S 1A7

If the appliance is found to be defective in material or workmanship, **EURO-PRO Operating LLC** will repair or replace it free of charge. Proof of purchase date and \$16.99 to cover the cost of return shipping and handling must be included.*

Non-durable parts including, without limitation, filters, brushes and electrical parts which normally require replacement are specifically excluded from warranty.

The liability of **EURO-PRO Operating LLC** is limited solely to the cost of the repair or replacement of the unit at our option. This warranty does not cover normal wear of parts and does not apply to any unit that has been tampered with or used for commercial purposes. This limited warranty does not cover damage caused by misuse, abuse, negligent handling or damage due to faulty packaging or mishandling in transit. This warranty does not cover damage or defects caused by or resulting from damages from shipping or repairs, service or alterations to the product or any of its parts, which have been performed by a repair person not authorized by **EURO-PRO Operating LLC**.

This warranty is extended to the original purchaser of the unit and excludes all other legal and/or conventional warranties. The responsibility of **EURO-PRO Operating LLC** if any, is limited to the specific obligations expressly assumed by it under the terms of the limited warranty. In no event is **EURO-PRO Operating LLC** liable for incidental or consequential damages of any nature whatsoever. Some states do not permit the exclusion or limitation of incidental or consequential damages, so the above may not apply to you.

This warranty gives you specific legal rights, and you may also have other rights which vary from state to state or province to province.

***IMPORTANT: Carefully pack item to avoid damage in shipping. Be sure to include proof of purchase date and to attach tag to item before packing with your name, complete address and phone number with a note giving purchase information, model number and what you believe is the problem with item. We recommend you insure the package (as damage in shipping is not covered by your warranty). Mark the outside of your package "ATTENTION CUSTOMER SERVICE". We are constantly striving to improve our products, therefore the specifications contained herein are subject to change without notice.**

Product Registration

Please visit www.sharkclean.com or call **1-800-798-7398** to register your new **Shark®** product within ten (10) days of purchase. You will be asked to provide the store name, date of purchase and model number along with your name and address.

The registration will enable us to contact you in the unlikely event of a product safety notification. By registering you acknowledge to have read and understood the instructions for use, and warnings set forth in the accompanying instructions.

Shark®

**Homecare Cleaning Solutions
to clean better, faster & easier**

VX63 Cordless StickVac

2-in-1 Cordless Hand Vac & Stick Vac designed for whole house use. The powerful motorized brush & cyclonic suction dust cup effectively removes fine dust, hair and dirt.



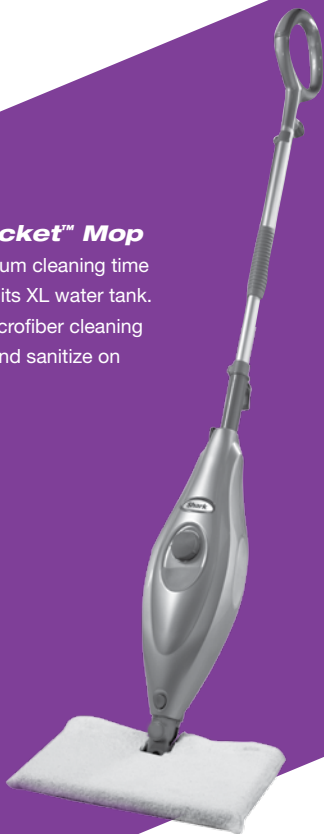
2 in 1 Vac-then-Steam™

is the complete bare-floor cleaning system. As the name implies, simply use the unit to vacuum first and then steam mop to really sanitize your hard floor surfaces.



Steam Pocket™ Mop

provides maximum cleaning time and power with its XL water tank. Doublesided microfiber cleaning pockets clean and sanitize on both sides.



Portable Steam Pocket™

cleans, sanitizes, and deodorize multiple surfaces and areas – from countertops to drapery, even upholstery all in one step.



Look for these and other innovative Shark® products at your favorite retailers or online at www.sharkclean.com

Este manual cubre el modelo :

UV300 26

ESPECIFICACIONES TÉCNICAS

Voltaje: 120V.

Potencia: 700W

Amperes: 5.83A

Frecuencia: 60Hz



Table des matières

Gracias por
haber comprado
la aspiradora
Shark®
Navigator™.

Instrucciones importantes de seguridad	18
Introducción	20
Armado	20
Usando la aspiradora	22
Vaciando el recipiente para la tierra	23
Cuidado adecuado de la aspiradora	24
Solución de problemas	25
Verificación de obstrucciones	26
Mantenimiento	27
Garantía y registro	29

INSTRUCCIONES IMPORTANTES DE SEGURIDAD

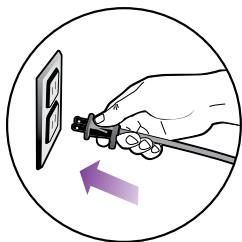
Para uso doméstico solamente

AL USAR SU ASPIRADORA SHARK® NAVIGATOR™, SIEMPRE DEBE SEGUIR PRECAUCIONES BÁSICAS DE SEGURIDAD, INCLUYENDO LAS SIGUIENTES:

LEA TODAS LAS INSTRUCCIONES ANTES DE USAR SU ASPIRADORA SHARK® NAVIGATOR™.

ENCHUFE POLARIZADO:

Este artefacto tiene un enchufe polarizado (una de las patas es más ancha que la otra). Como medida de seguridad, este cable entrará únicamente en un tomacorriente polarizado. **No lo fuerce dentro del tomacorriente ni trate de modificarlo para que calce.**



⚠ ADVERTENCIA:
PARA REDUCIR EL RIESGO DE DESCARGAS ELÉCTRICAS O HERIDAS, NO LA UTILICE AL EXTERIOR O SOBRE SUPERFICIES MOJADAS.

SEGURIDAD ELÉCTRICA GENERAL:

1. Desenchúfela del tomacorriente cuando no la utilice y antes de limpiarla.
2. **NO** use la aspiradora si el cable o el enchufe están dañados.
3. **NO** jale o transporte la aspiradora por el cable.
4. **NO** la desenchufe tirando del cable; para desenchufarla, sostenga el enchufe, no el cable.
5. **NO** toque el enchufe o la aspiradora con las manos húmedas.
6. **NO** pase la aspiradora sobre el cable de alimentación.
7. **NO** apriete el cable al cerrar una puerta.
8. **NO** jale del cable alrededor de bordes afilados o esquinas.
9. **NO** deje el artefacto desatendido cuando esté enchufado.
10. Mantenga el cable alejado de superficies calientes.
11. Apague todos los controles antes de enchufar o desenchufar la aspiradora.

USO GENERAL:

12. Utilícela solamente como se indica en este manual.
13. **NO** introduzca ningún objeto en las ranuras.
14. Mantenga el área de trabajo bien iluminada.
15. Mantenga la aspiradora en movimiento sobre la superficie de la alfombra todo el tiempo para evitar dañar las fibras de la alfombra.
16. **NO** coloque la aspiradora sobre superficies inestables como sillas o mesas.
17. **NO** permita que los niños pequeños usen la aspiradora o que se utilice como un juguete.
18. Debe tener mucho cuidado al ser utilizada por o cerca de niños.

19. **NO** use la aspiradora si no está funcionando como corresponde, si el cable o el enchufe están dañados, si se ha caído, dañado, dejado al exterior o sumergido en agua. Retórnela a EURO-PRO Operating LLC para que sea examinada, reparada o ajustada.

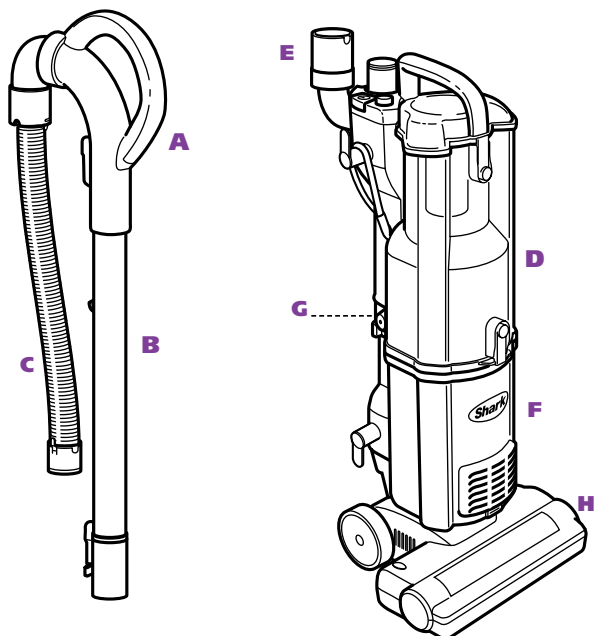
LIMPIEZA GENERAL:

20. **NO** pase la aspiradora sobre objetos muy grandes.
21. **NO** aspire objetos duros o filosos como vidrios, clavos, tornillos, monedas, los que podrían dañar la aspiradora.
22. **NO** aspire objetos con fuego o humeantes tales como carbón caliente, colillas de cigarrillos o fósforos.
23. **NO** aspire materiales inflamables o combustibles como líquido para encendedor, gasolina, kerosene, ni use la aspiradora en áreas en las cuales puedan estar presentes.
24. **NO** la use para aspirar soluciones tóxicas tales como lavandina, amoníaco o destapa cañerías.
25. **NO** la use en lugares cerrados y con vapores de pintura, diluyente de pintura, substancias antipolilla, polvo inflamable u otros materiales explosivos o tóxicos.
26. **NO** aspire ningún líquido.
27. **NO** sumerja la aspiradora en agua o ningún otro líquido.
28. **NO** la use en el exterior o en superficies mojadas; úsela únicamente en superficies secas.
29. Tenga especial cuidado al limpiar escaleras.
30. Antes de encender la aspiradora:
- Verifique que el recipiente para la tierra y todos los filtros estén en su lugar luego de realizar el mantenimiento de rutina.
 - Verifique que todos los componentes y filtros estén completamente secos luego de limpiarlos.
- Use únicamente filtros y accesorios provistos por EURO-PRO Operating LLC. [El no hacerlo anulará la garantía.]

ACCESORIOS PARA LA MANGUERA:

31. **NO** introduzca ningún objeto en las ranuras. No la use con alguna abertura obstruida. Manténgala sin pelusa, cabellos o cualquier otra cosa que pueda reducir la circulación de aire.
32. **NO** la use si el flujo de aire está restringido; si las aberturas de circulación de aire, la manguera o el tubo de extensión se tapan, apague la aspiradora. Saque todas las obstrucciones antes de volver a encender la unidad.
33. Mantenga el extremo de la manguera, los tubos y todas las demás aberturas alejados de la cara, del cuerpo y de la ropa suelta.
34. Mantenga el cepillo giratorio y las aberturas de succión alejados del cabello, la cara, los dedos, los pies o ropa suelta.
35. Use únicamente los accesorios recomendados por el fabricante.

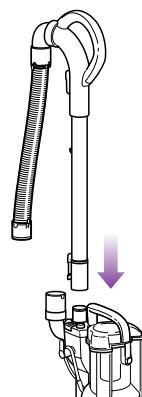
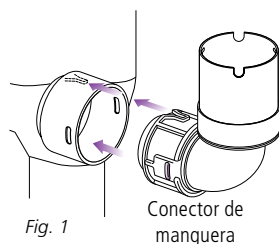
CONSERVE ESTAS INSTRUCCIONES



PRIMERO LO PRIMERO, USTED NECESITA SABER QUÉ CONTIENE LA CAJA QUE ACABA DE ABRIR:

- | | |
|------------------------------------|----------------------------------|
| A Mango | E Conector de manguera |
| B Tubo de extensión | F Cuerpo de la aspiradora |
| C Manguera extensible | G Soporte para accesorios |
| D Recipiente para la tierra | H Cabezal motorizado |

Se pueden comprar accesorios opcionales. Para comprar partes y accesorios adicionales vaya a: www.sharkclean.com.



SU SHARK® NAVIGATOR™ ES FÁCIL DE ARMAR:

- 1 Coloque el cuerpo de la aspiradora en posición vertical en una superficie nivelada.
- 2 Inserte el conector de la manguera en la abertura de la parte de atrás del cuerpo de la aspiradora. (Fig. 1) **Inserte el conector de la manguera en la abertura de la parte de atrás del cuerpo de la aspiradora.**
- 3 Inserte el mango con el tubo de extensión en la parte de arriba de la aspiradora hasta que quede trabado. (Fig. 2)

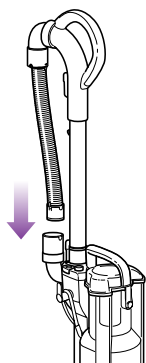


Fig. 3

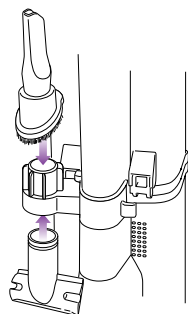


Fig. 4

- 4 Inserte la manguera extensible dentro del conector de la manguera en la parte de atrás de la unidad. Verifique que se trabaje en su lugar. (Fig. 3)
- 5 Guarde sus accesorios incorporados en el soporte para accesorios ubicado en la parte de atrás de la unidad. (Fig. 4)
NOTA: El soporte de accesorios es removible. Para remover o colocar el soporte de accesorios, debe remover primero el recipiente de la tierra. Para remover el soporte de accesorios, sostenga la pestaña (a), rótelala hacia la izquierda y tire hacia afuera. Para volver a colocarlo, alinee las clavijas dentro de las bisagras (b) en la aspiradora. Rótelo completamente para trabajarlo. (Fig. 5)

💡 No todos los accesorios están disponibles para todos los modelos.

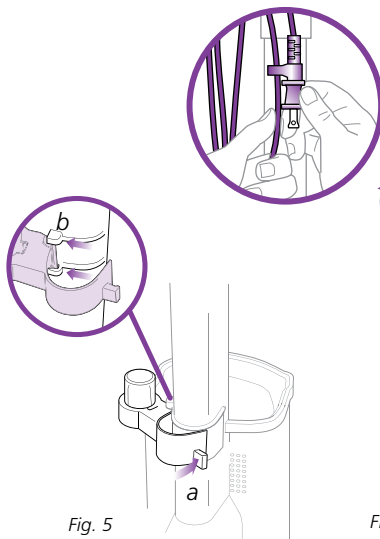


Fig. 5

- 6 Al guardar su aspiradora, enrolle el cable de alimentación alrededor de los soportes para el cable y asegúrelo con el gancho. (Fig. 6)
- 7 Hay un control de liberación rápida del cable en el soporte superior. Simplemente gírelo hacia la izquierda o la derecha para liberar el cable de alimentación. Para guardar la unidad, el soporte para el cable debe estar en posición vertical.
⚠ IMPORTANTE: Para que la succión llegue al cepillo giratorio, el tubo de extensión y la manguera extensible deben estar bien conectados al cuerpo de la aspiradora.

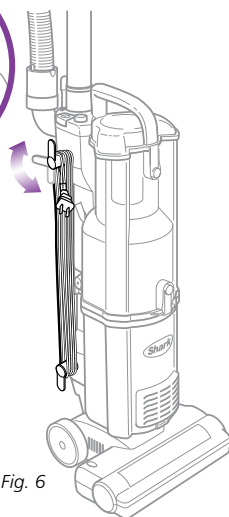


Fig. 6

8 PARA TRANSPORTAR LA ASPIRADORA:

Con la unidad en posición vertical, levántela por el mango del recipiente de la tierra (mango de transporte).

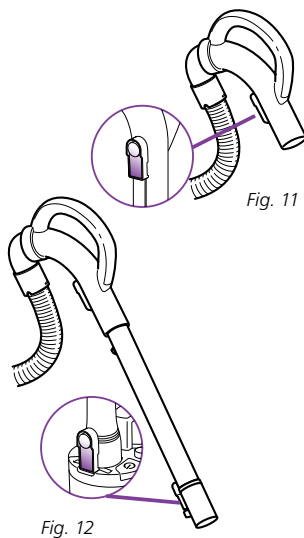
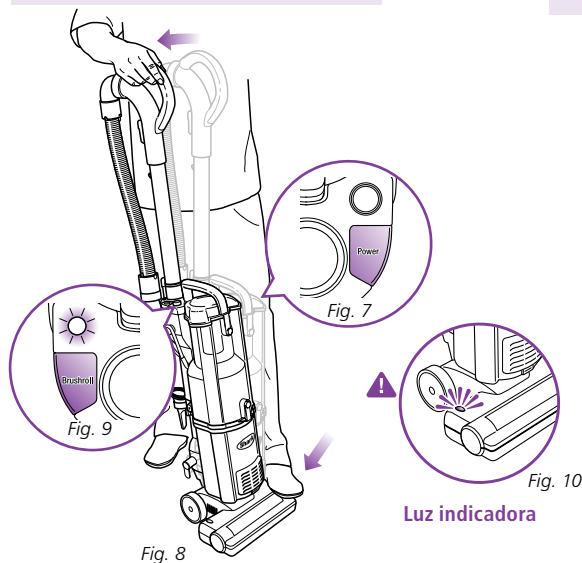
- ⚠ CUIDADO:** Al levantarla o transportarla, **NO** presione el botón de liberación del recipiente (🔑) de la tierra.

Usando la Aspiradora

La altura del cabezal motorizado ha sido optimizada para facilitar su movimiento y para limpiar mejor todo tipo de pisos. No hace falta ajustar la altura al pasar de un tipo de piso a otro y a alfombras.

⚠ Sostenga siempre la aspiradora cuando use la manguera para limpiar, para que no se caiga.

NO arrastre la aspiradora por toda la casa.
NO extienda demasiado la manguera.



Su **Shark® Navigator™** se puede usar para limpiar todo tipo de superficie.

- 1 Enchufe la aspiradora.
- 2 Presione el "Botón de encendido" (Power). (Fig. 7)
- 3 Coloque su pie en el cabezal motorizado y tire suavemente el mango hacia usted. (Fig. 8)

NOTA: Esta aspiradora tiene un botón separado para el cepillo "Brushroll" en la parte de arriba de la aspiradora. (Fig. 9)

4 LIMPIE ALFOMBRAS:

Active el cepillo colocando el "Botón de mismo" (Brushroll) en la posición "ON". La luz del cepillo se encenderá verde. (Fig. 9)

⚠ IMPORTANTE: Para proteger sus alfombras, el cepillo funcionará únicamente cuando tire del mango hacia usted y suelte el cabezal motorizado.

⚠ IMPORTANTE: La luz indicadora del cepillo del cabezal motorizado se encenderá en rojo sólido cuando haya alguna obstrucción. (Fig. 10) Esta función está diseñada para proteger la correa permanente que mueve el cepillo giratorio. Consulte 'Verificación de obstrucciones' en la página 26.

5 LIMPIE PISOS LISOS:

Para limpiar pisos lisos o para limpiar con la manguera, coloque el "Botón del cepillo" (Brushroll) en la posición "OFF" para succión únicamente. La luz del cepillo se apagará. El cepillo no girará en este modo.

6 LIMPIEZA POR ENCIMA DEL PISO CON LA MANGUERA:

Puede colocar los accesorios en el mango o en el tubo de extensión para mayor alcance.

- a Coloque la aspiradora en posición vertical.
- b Para remover el mango solamente, presione el botón de liberación del mango. (Fig. 11)
- c Para remover el mango con el tubo de extensión, presione el botón de liberación del tubo de extensión en la parte de atrás de la aspiradora. (Fig. 12)
- d Coloque el accesorio deseado en el extremo del mango o del tubo de extensión para mayor alcance y comience a limpiar.

Para comprar partes y accesorios adicionales vaya a www.sharkclean.com.



Vaciando el recipiente para la tierra

💡 Para obtener los mejores resultados, vacíe el recipiente de la tierra después de cada uso o cuando sea necesario durante usos prolongados, o cuando se llene hasta la línea de **MAX**.

NO DEJE QUE SE LLENE DE MÁS.

Apague la aspiradora antes de vaciarlo.

Botón de liberación

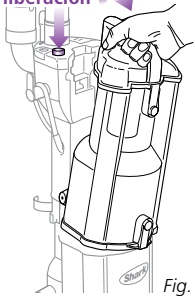


Fig. 13

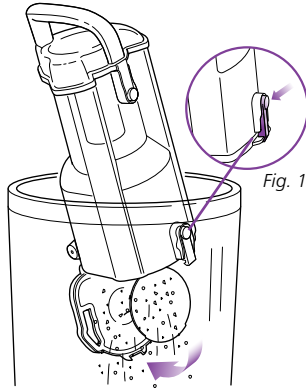


Fig. 15

Fig. 14

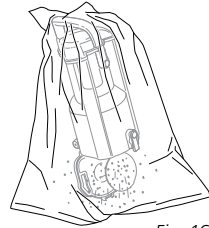


Fig. 16

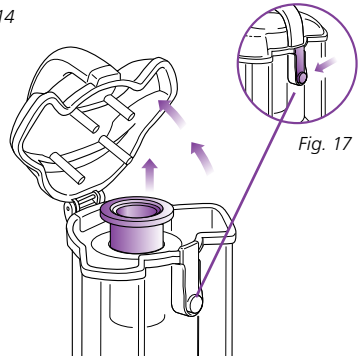


Fig. 18

POUR VIDER LE RÉCIPIENT À POUSSIÈRE :

- 1 Presione el botón de liberación del recipiente (■) de la tierra y saque el recipiente de la aspiradora. (Fig. 13)
- 2 Sostenga el mango de transporte y presione el botón de liberación del recipiente de la tierra. (Fig. 14)
- 3 **Opción A:** Para vaciado rápido: Coloque el recipiente de la tierra dentro de un cesto para la basura para recolectar la tierra y los residuos. (Fig. 15)

Presione el botón de liberación de la parte de abajo del recipiente de la tierra, golpee suavemente el recipiente para aflojar y hacer salir la tierra y los residuos.

Vuelva a cerrar la tapa inferior hasta que se trabé en su lugar.

⚠ **Importante:** Si la puerta del recipiente de la tierra no se abre libremente al presionar el botón de liberación, ábrala con la mano usando las pestañas de la tapa inferior.

- 4 **Opción B:** Para personas con alergias: Envuelva el recipiente de la tierra con una bolsa de residuos, dejando lugar en la parte de abajo para que se abra la puerta. (Fig. 16)

Ubique el botón de liberación de la tapa del recipiente de la tierra dentro de la bolsa y presiónelo mientras sacude el recipiente para vaciar la tierra y los residuos.

Vuelva a cerrar la tapa inferior hasta que se trabé en su lugar.

⚠ **Nota:** La opción B también se puede realizar fuera de la casa para reducir aún más la liberación de polvo en el aire. Lleve solamente el recipiente de la tierra y la bolsa de basura afuera.

⚠ **Nota:** De vez en cuando puede ser necesario limpiar la rejilla metálica que está dentro del recipiente de la tierra. Para limpiarla, presione el botón de liberación del recipiente de la tierra (Fig. 17), saque la rejilla metálica y remueva la tierra. Luego vuelva a colocar la rejilla metálica dentro del recipiente de la tierra y cierre la tapa de arriba. (Fig. 18)

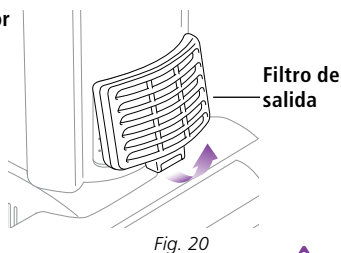
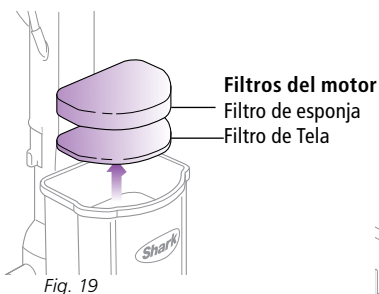
Cuidado adecuado de su aspiradora vertical Shark®

COMPONENTE	CRONOGRAMA DE MANTENIMIENTO
1 Recipiente para la tierra	Vacielo cada vez que usa la aspiradora.
2 Filtro de espuma del motor	Enjuagar y secar al aire todos los meses durante el uso normal.
3 Filtro de fieltro del motor	Enjuagar y secar al aire todos los meses durante el uso normal.
4 Filtro de salida	Lávelo cada 12 meses bajo condiciones de uso normal.

⚠ **NO** ponga los filtros en una lavadora o lavavajillas.

NOTA: El material del filtro perderá color con el tiempo. Esto es **NORMAL** y no afecta el rendimiento del filtro.

⚠ **IMPORTANTE:** Puede ocurrir una **pérdida de succión** si los filtros de esponja no se limpian todos los meses. Enjuáguelos y déjelo secar completamente al aire. Los filtros de esponja pueden parecer sucios luego de usarlos, esto es normal.

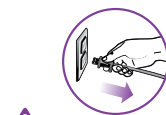


LIMPIEZA DE LOS FILTROS DEL MOTOR

- 1 Quite el recipiente para la tierra.
- 2 Saque los 2 filtros de la parte de arriba de la base del motor. **(Fig. 19)**
- 3 Enjuague bien los filtros en agua tibia hasta que estén limpios.
- 4 Escurra el exceso de agua y déjelos secar al aire durante 24 horas como mínimo antes de volver a colocarlos. No use un secador de cabello u cualquier otro método para secarlos.
- 5 Coloque primero el filtro de fieltro, luego el de espuma.
- 6 Vuelva a instalar el recipiente de la tierra.

LIMPIEZA DEL FILTRO DE SALIDA

- 1 Saque la cubierta del filtro del frente de la aspiradora tirando hacia arriba de la pestaña y tirando de la cubierta hacia fuera. **(Fig. 20)**
- 2 Saque el filtro del bastidor y lávelo debajo de la canilla con agua tibia.
- 3 Deje secar el filtro al aire por 24 horas. No use un secador de cabello o cualquier otro método para secarlos.



⚠ **CUIDADO:** Desenchufe la aspiradora cuando limpie los filtros; el no hacerlo podría causarle una descarga eléctrica.

- 4 Una vez que el filtro esté seco, vuelva a colocarlo en la aspiradora.
- 5 Vuelva a colocar la cubierta insertando las dos pestañas en los agujeros de arriba y luego inclinando la tapa hacia abajo hasta que se traben en su lugar.

NOTA: Los filtros pueden parecer sucios pero no hace falta limpiarlos muy a menudo. Vea el calendario de mantenimiento anterior.

Solución de problemas



ADVERTENCIA:

Para evitar el riesgo de una descarga eléctrica, desenchufe la unidad antes de efectuar mantenimiento o localización de fallas.

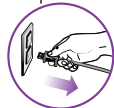
PROBLEMA	POSIBLE CAUSA Y SOLUCIÓN
<p>La aspiradora no funciona.</p>	<p>Verifique que esté enchufada correctamente. Verifique su fusible o la llave general. Verifique el botón de encendido.</p>
<p>La aspiradora no levanta la tierra.</p> <p>Flujo de aire restringido. No hay succión o es muy baja.</p>	<p>Revise si hay que limpiar los filtros. Siga las instrucciones para enjuagar y secar los filtros antes de volver a instalarlos en la aspiradora. (Consulte la sección 'Mantenimiento' por instrucciones.) El recipiente de la tierra puede estar lleno; vacíelo Revise que no haya ninguna obstrucción en la manguera y sus conexiones; limpie las obstrucciones si es necesario. Si el recipiente para la tierra está vacío y las entradas de los accesorios están bien, busque otras obstrucciones. (Consulte las instrucciones 'Verificación de obstrucciones'.)</p>
<p>El cepillo giratorio no se enciende.</p>	<p>Presione el "Botón del cepillo" giratorio (Brushroll) en la posición "ON". La luz del cepillo cerca del piso se enciende de color verde cuando está en "ON". Coloque su pie en el cabezal motorizado y tire suavemente el mango hacia usted para activar el cepillo. Si se enciende la luz roja del cabezal motorizado, consulte la sección Verificación de obstrucciones.</p>
<p>La aspiradora se apaga sola.</p>	<p>Esta unidad está equipada con un termostato de protección del motor. Si la aspiradora se sobrecalienta por cualquier motivo, el termostato la apagará automáticamente. Si pasa eso, siga los siguientes pasos para reiniciar el termostato del motor:</p> <ol style="list-style-type: none"> 1. Presione el "Botón de encendido" (Power) en la posición "OFF". 2. Desenchufe la aspiradora. 3. Vacíe el recipiente para la tierra y limpie los filtros. (Consulte la sección 'Mantenimiento' por instrucciones.) 4. Revise que la manguera, los accesorios y las entradas de aire no estén tapados. (Consulte las instrucciones 'Verificación de obstrucciones'.) 5. Permita que la unidad se enfríe durante 45 minutos como mínimo. 6. Enchufe la aspiradora. 7. Coloque el "Botón de encendido" (Power) en la posición "ON". <p>Nota: Si la aspiradora todavía no se enciende, llame a nuestro servicio al cliente al: 1-800-798-7395.</p>

Para comprar partes de reemplazo, visite nuestro sitio Web: www.sharkclean.com.

Verificación de obstrucciones

Las obstrucciones pueden hacer que su aspiradora se sobrecaliente y se apague. Si pasa esto, limpie las obstrucciones, luego siga las instrucciones para restablecer el termostato de la página 27.

⚠ IMPORTANTE: Nunca introduzca objetos filosos dentro de las aberturas para limpiar una obstrucción. Los daños ocasionados al limpiar o al intentar limpiar las obstrucciones no están cubiertos por la garantía limitada de este producto.



Desenchufe la aspiradora antes de revisarla por obstrucciones.

Vuelva a armar bien todas las partes antes de usarla.

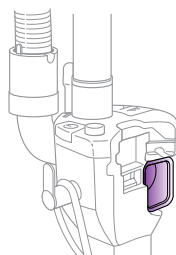


Fig. 21

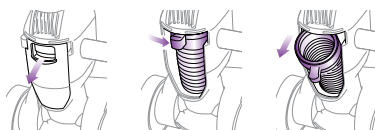


Fig. 22

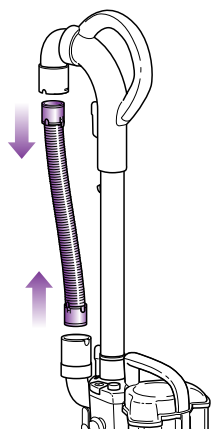
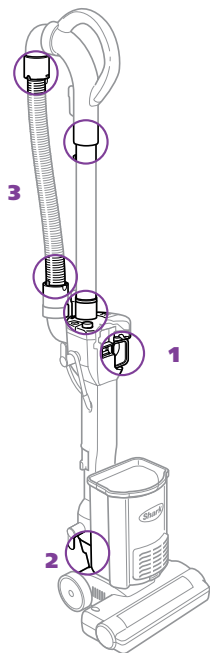


Fig. 23



1 CONDUCTO DE AIRE DEL RECIPIENTE PARA LA TIERRA:

Coloque la aspiradora en posición vertical.
Saque el recipiente de la tierra y vácielo si es necesario.

Revise el codo del conducto de aire por obstrucciones; límpielo antes de volver a colocar el recipiente de la tierra. (Fig. 21)

2 ENTRADA DE AIRE DE LA MANGUERA:

Sostenga la parte de arriba de la tapa de acceso de la manguera y tire para sacarla. Deslice la perilla hasta el medio y extraiga la manguera. (Fig. 22)

Saque cualquier obstrucción y vuelva a colocar la manguera.

Deslice la perilla hacia la izquierda y cierre bien la tapa de acceso de la manguera.

3 MANGUERA :

Desconecte la manguera extensible presionando suavemente las pestañas entre sí y tirando para remover el conector.

Saque la manguera de la unidad y del mango. (Fig. 23)

Inspeccione toda la manguera y saque cualquier obstrucción.

Mantenimiento

Restablecer el termostato

Su **Shark® Navigator™** está equipada con un termostato de protección en el motor. Si el motor se sobrecalienta, el termostato lo apaga.

PARA REESTABLECER EL TERMOSTATO DEL MOTOR:

Presione el botón de encendido (⏻) para apagar la unidad.

Desenchufe la aspiradora.

Revise si la manguera o el filtro están tapados; destape la manguera y cambie el filtro. Consulte 'Verificación de obstrucciones' en la página 26.

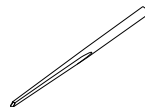
Esperе 45 minutos para que se enfríe la aspiradora; luego vuelva a enchufarla.

Presione el botón de encendido (⏻) para encender la aspiradora.

NOTA: Si la aspiradora todavía no se enciende, llame a nuestro servicio al cliente al: 1-800-798-7395.

Obtenga aún más limpieza de su Shark® Navigator™ con nuestra variedad de accesorios de limpieza en www.sharkclean.com.

¡Memorice la página y vuelva a visitarla a menudo para aprovechar los nuevos productos, promociones y precios!



ACCESORIOS ADICIONALES (DISPONIBLE PARA LA COMPRA):

HERRAMIENTA PARA MASCOTAS/TAPIZADOS

Remueve pelos de los tapizados y las escaleras.

CABEZAL ESQUINERO

Llegue bien a los lugares angostos y limpie entre almohadones, debajo de radiadores y zócalos y en ranuras y esquinas de difícil acceso.

HERRAMIENTA MULTIPROPÓSITO

Cómoda boquilla esquinera y cepillo limpiador en un solo accesorio.

NOTA: Algunos accesorios pueden venir incluidos con su aspiradora.

Para comprar partes y accesorios adicionales vaya a www.sharkclean.com.

PARTE	Parte No
Manguera extensible	126FFJ
Herramienta multipropósito	127FFJ
Filtro de espuma y de fieltro	XFL100
Tubo de extensión	1116-FC
Cabezal esquinero de 24"	122FFJ
Cabezal esquinero de 11"	129FFJ
Herramienta para mascotas/ tapizados	128FFJ

Notas



Garantía limitada de tres (3) años de Euro-Pro

EURO-PRO Operating LLC garantiza este producto contra defectos de materiales y mano de obra por un término de tres (3) años a partir de la fecha de compra original, siempre que sea utilizado para uso doméstico normal, sujeto a las siguientes condiciones, exclusiones y excepciones.

Si su artefacto no funciona correctamente al utilizarlo bajo condiciones domésticas normales dentro del período de garantía limitada, puede devolver el artefacto completo y los accesorios, junto con un comprobante de la fecha de compra, pagando los gastos de envío:

- **EE.UU.: EURO-PRO Operating LLC**
Por servicio al cliente, llame al 1-800-798-7395 o visite nuestro sitio Web www.sharkclean.com
- **Canadá: EURO-PRO Operating LLC**
4400 Bois Franc, St. Laurent, Québec H4S 1A7

Si el artefacto presenta un defecto de materiales o mano de obra, **EURO-PRO Operating LLC** lo reparará o reemplazará sin cargo. El envío debe incluir un comprobante de la fecha de compra y \$16,99 para cubrir los gastos de envío.*

Los insumos tales como, sin limitación, filtros, cepillos y partes eléctricas que normalmente necesitan ser reemplazados son explícitamente excluidos de la garantía.

La responsabilidad de **EURO-PRO Operating LLC** se limita únicamente al costo de reparación o reemplazo de la unidad, a nuestro criterio. Esta garantía limitada no cubre el desgaste normal de las partes y no cubre ninguna unidad que haya sido alterada o utilizada con fines comerciales. Esta garantía limitada no cubre daños ocasionados por uso inadecuado, abuso, negligencia o daños causados por embalaje inapropiado o maltrato durante el transporte. Esta garantía limitada no cubre daños o defectos causados o resultantes durante el transporte para su reparación o alteraciones del producto o cualquiera de sus partes, realizadas por una persona no autorizada por **EURO-PRO Operating LLC**.

Esta garantía limitada es válida para el comprador original del producto y excluye cualquier otra garantía legal, implícita y/o convencional. La responsabilidad de **EURO-PRO Operating LLC**, de existir, se limita a las obligaciones específicas asumidas expresamente bajo los términos de esta garantía limitada. Bajo ninguna circunstancia, **EURO-PRO Operating LLC** será responsable por daños incidentales o indirectos a cualquiera, de ninguna clase. Algunos estados no permiten la exclusión o limitación de daños consiguientes o incidentales, por lo tanto lo anterior puede no ser válido para usted.

Esta garantía limitada le otorga derechos legales específicos, y usted puede también tener otros derechos los que varían de estado a estado o de provincia a provincia.

***IMPORTANTE: Embale el producto cuidadosamente para evitar daños durante el transporte. Asegúrese de incluir un comprobante de la fecha de compra y de colocarle una etiqueta al producto con su nombre, dirección completa y número de teléfono, una nota proporcionando información de la compra, número de modelo y una descripción del problema que tenga la unidad. Le recomendamos asegurar el paquete (puesto que la garantía limitada no cubre daños de envío). Escriba en el exterior del paquete "ATTENTION CUSTOMER SERVICE". Nosotros nos esforzamos constantemente en mejorar nuestros productos, por lo tanto las especificaciones aquí indicadas pueden cambiar sin previo aviso.**

Registro del producto

Visite www.sharkclean.com o llame al **1-800-798-7395** para registrar su nuevo producto **Shark®** dentro de los diez (10) días siguientes a la compra. Se le preguntará el nombre de la tienda, la fecha de compra y el número de modelo, junto con su nombre y su dirección.

El registro nos permitirá contactarnos con usted en caso de existir alguna notificación de seguridad con respecto al producto. Al registrarlo, usted reconoce haber leído y comprendido las instrucciones de uso y advertencias incluidas en estas instrucciones.

EURO-PRO Operating LLC

U.S.: Newton, MA 02459

Canada: Ville St. Laurent, Québec H4S 1A7

English: 1-800-798-7398

Español: 1-800-798-7395

www.sharkclean.com

Copyright © Euro-Pro Operating LLC 2011

Droit d'Auteur © Euro-Pro Operating LLC 2011

Printed in China / Impreso en china

Illustrations may differ from actual product.
El dibujo puede no ser igual al producto real.

UV300.ES.110831.4