



**STEAM MOP
TRAPEADOR A VAPOR
VADROUILLE À VAPEUR**

**OWNER'S MANUAL
MANUAL DEL USUARIO
GUIDE DU PROPRIÉTAIRE**
Models-Modelos-Modèles:
S3101 N – S3101W N
120V., 60Hz, 1550 Watts/Vatios



EURO-PRO Operating LLC
Boston, MA, 02465
1 (800) 798-7398
www.sharkcompany.com
COPYRIGHT© EURO-PRO OPERATING LLC 2008

EURO-PRO 

IMPORTANT SAFETY INSTRUCTIONS

When using your **SHARK Steam Mop**, basic safety precautions should always be observed, including the following:

- Warning:** To reduce the risk of fire, electrical shock, or injury:
1. Read all instructions before using your steam mop.
 2. Use the system only for its intended use.
 3. **Do not** use outdoors.
 4. **Do not** leave the appliance unattended when plugged in. Always unplug the power cord from the electrical outlet when not in use and before servicing.
 5. **Do not** allow the appliance to be used as a toy. Close attention is necessary when used by or near children, pets or plants. **Do not** leave appliance unattended while connected.
 6. Use only as described in this manual.
 7. Use only manufacturer's recommended accessories.
 8. **Do not** operate the appliance with a damaged plug or cord, or if the unit has been dropped or damaged. To avoid the risk of electric shock, do not disassemble or attempt to repair the appliance on your own. Return the appliance to **EURO-PRO** Operating LLC (see warranty) for examination and repair. Incorrect re-assembly or repair can cause a risk of electrical shock or injury to persons when the appliance is used.
 9. To protect against a risk of electric shock, do not immerse the steam mop into water or any other liquids.
 10. **Do not** pull or carry by power cord, use power cord as handle, close a door on the power cord, or pull the power cord around sharp edges or corners. Keep power cord away from heated surfaces.
 11. **Do not** unplug by pulling on power cord. To unplug, grasp the plug not the power cord. **Do not** use extension cords or outlets with inadequate current carrying capacity.
 12. **Do not** handle plug or steam mop with wet hands or operate appliance without shoes.

13. **Do not** put any objects into openings. **Do not** use with any opening blocked.
14. **Do not** put hands or feet under the steam mop. Unit gets very hot.
15. Use **ONLY** on flat, horizontal surfaces. **Do not** use on walls, counters or windows.
16. **Do not** use on leather, wax polished furniture or floors, synthetic fabrics, velvet or other delicate, steam sensitive materials.
17. **Do not** add cleaning solutions, scented perfumes, oils or any other chemicals to the water used in this appliance as this may damage the unit or make it unsafe for use. If you live in a hard water area, we recommend using distilled water in your steam mop.
18. When in use, **NEVER** turn the appliance over or on its side. **NEVER DIRECT STEAM TOWARDS PEOPLE, ANIMALS OR PLANTS.**
19. **NEVER LEAVE THE STEAM MOP IN ONE SPOT ON ANY SURFACE FOR ANY PERIOD OF TIME WHEN MICRO-FIBER PAD IS ATTACHED.**
20. Carefully remove the micro-fiber pad immediately after you have finished using the steam mop.
21. When cleaning the steam mop, unplug the power cord from the electrical outlet and clean with a dry or damp cloth. **Do not** pour water or use alcohol, benzene or paint thinner on the unit.
22. **Extreme caution** should be exercised when using this appliance to clean stairs.
23. **Never** use steam mop without micro-fiber pad attached.
24. Keep your work area well lit.
25. Store steam mop indoors in a cool, dry place.

SAVE THESE INSTRUCTIONS
For Household Use Only

ADDITIONAL IMPORTANT SAFEGUARDS

1. To avoid circuit overload, **do not** operate another appliance on the same socket (circuit) as the steam cleaner.
2. If an extension cord is absolutely necessary, an extension cord rated a minimum of 15 ampere, 14 gage cord should be used. Cords rated for less amperage may overheat. Care should be taken to arrange cord so that it cannot be pulled or tripped over.
3. **Do not** leave unattended when the system is connected to a power supply/electrical outlet.

WARNING: To reduce the risk of electric shock, this appliance has a polarized plug (one blade is wider than the other). This plug will fit in a polarized outlet only one way. If the plug does not fit fully in the outlet, reverse the plug. If it still does not fit, contact a qualified electrician to install the proper outlet. **Do NOT** modify the plug in any way.

WARNING: Your steam mop is designed to clean hard floor surfaces that will withstand high heat. Do not use on unsealed wood or unglazed ceramic floors. On surfaces that have been treated with wax or some no wax floors, the sheen may be removed by the heat and steam action. It is always recommended to test an isolated area of the surface to be cleaned before proceeding. We also recommend that you check the use and care instructions from the floor manufacturer.

IMPORTANT: Do not store unit with damp/wet micro-fiber cleaning pad attached. **Never** leave the steam mop in one spot on any surface for any period of time with a damp or wet micro-fiber cleaning pad attached as this will damage your floors.

IMPORTANT: Do **NOT** add cleaning solutions, scented perfumes, oils or any other chemicals to the water used in this appliance. **If you live in a hard water area, we recommend using distilled water in your steam mop.**

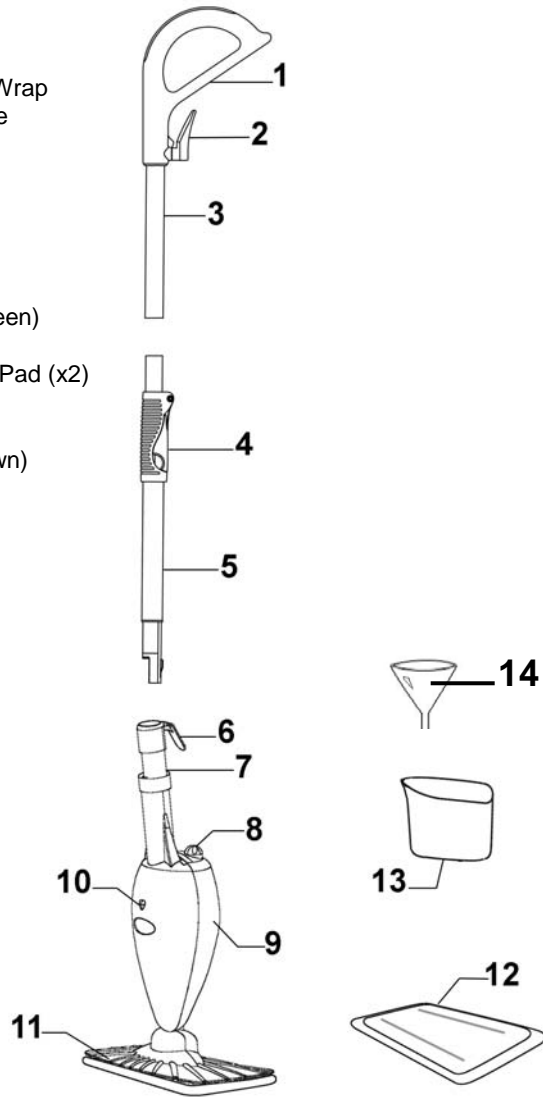


WARNING: Danger of Scalding. Please use caution when using the steam mop. The steam emitted from the openings is very hot.

SAVE THESE INSTRUCTIONS
FOR HOUSEHOLD USE ONLY

GETTING TO KNOW YOUR STEAM MOP

1. Ergonomic Hand Grip
2. Quick Release Cord Wrap
3. Upper Extension Tube
4. Locking Latch
5. Telescopic Tube
6. Lower Cord Wrap
7. Pump Actuator
8. Water Tank Cap
9. Water Tank
10. Power "On" Light (Green)
11. Mop Head
12. Micro-Fiber Cleaning Pad (x2)
13. Filling Flask
14. Funnel
15. Power Cord (not shown)



Technical Specifications

Voltage:	120V., 60Hz.
Power:	1550 Watts
Water Capacity:	8 U.S. Fl. Oz. (250ml)

*Note: Illustrations may differ from actual unit.

FEATURES

Your **Shark Steam Mop** utilizes steam to remove tough grease, dirt and grime. Steam is nature's purest and most powerful cleaner for safely cleaning all hard floor surfaces in your home without harsh chemicals, thus being perfectly ecological. Cleans your tile, hardwood, linoleum and vinyl floors.

1. Quick & Easy

Eliminates rinsing, wringing, carrying buckets of water and redistributing the dirt on the floor.

2. Powerful

Powerful steam dries quickly unlike traditional mopping. Uses powerful steam for superior cleaning and sanitizing.

3. No Harsh Chemicals

Use plain tap water or distilled water. Leaves no chemical residue behind.

4. Lightweight

No heavy buckets to carry. The Shark Steam Mop weighs only 3 lbs. Only one third the weight of carrying a bucket of water and a mop.

5. Ergonomic Soft Grip Handle

Comfortable design makes it easy to maneuver without physical strain.

6. Quick Start-Up

Steam is ready in just 30 seconds.

7. Power "On" Light

The power "On" light will turn green when the unit is plugged in.

8. Reusable Cleaning Pad

Durable triple layer micro-fiber cleaning pad loosens, lifts and locks in dirt. Just toss in the washing machine when done.

OPERATING INSTRUCTIONS

How To Assemble Your Steam Mop

1. Remove all the parts from the packaging.
2. Insert the upper extension tube into the lower telescopic tube. (Fig. 1) Push it in until you hear it click into place.
3. Insert the extension tube assembly into the pump actuator. Make sure that the locking tab snaps into place. (Fig. 1)
4. Place the micro-fiber cleaning pad underneath the mop head. Make sure that the hook and latch strips are facing up. (Fig. 2) Press to secure.

TIP: The micro-fiber cleaning pads have a colored tab so that a different pad can be assigned to different tasks or rooms in the house.

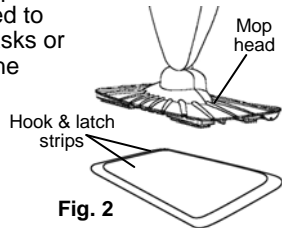


Fig. 2

To Extend the Telescopic Tube

1. Lift the locking latch up 90° (Fig. 3)
2. Holding the handle, extend the telescopic tube to the desired length. (Fig. 3)
3. When you have the telescopic tube to the length that you want, close the locking latch.

HELPFUL HINT: If you find the Steam Mop difficult to push/pull during use, then simply increase the height of the pole.

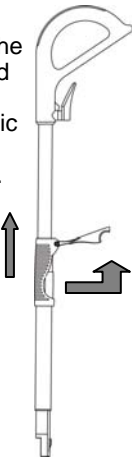


Fig. 3

Filling the Water Tank

IMPORTANT: Always insure that the unit is "UNPLUGGED" from the wall receptacle prior to filling and before attaching the micro-fiber cleaning pad to the bottom of the mop head. **Never** use the steam mop without the micro-fiber cleaning pad attached to the mop head. **NOTE:** When using your new steam mop for the first time you may notice water residue inside of the unit. Water drops can also be found in the packaging. This is normal and you should not be alarmed. Each steam mop is 100% tested in the factory to ensure product performance and safety. Sometimes water is left in the unit from these test procedures.

1. Turn the cap counter clockwise and then lift up to remove from the water tank. (Fig. 4)
2. Using the filling flask and funnel, pour one flask of water into the water tank. **Do not** overfill the unit past the "MAX" fill line on the water tank. (Fig. 4)
3. Replace the cap onto the water tank.

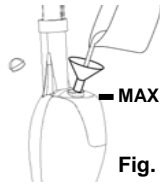


Fig. 4

Using the Steam Mop

IMPORTANT: **Never** use the steam mop without the micro-fiber cleaning pad attached to the mop head or without water in the water tank.

Please note that when using for the first time, the appliance may take longer than the normal 30 second startup time to steam. You may need to pump the handle a few times before the steam is released. This is due to the water making its way from the water tank through the pump and into the heater. This will only occur during the first use.

1. Sweep or vacuum floors before using the steam mop.
2. Twist the quick release cord holder to unwrap the power cord completely.
3. Plug into a 120-volt electrical outlet.
4. The power "On" light will turn green.
5. It takes approximately 30 seconds for the unit to heat up and the steam to be ready.
6. Pump the handle a few times to dampen the micro-fiber cleaning pad. Begin mopping with a forward and backward motion, this pumping action will release steam as you mop.

OPERATING INSTRUCTIONS

7. When the water tank is empty, the steam mop will stop emitting steam. Unplug the power cord from the electrical outlet and refill the water tank following the instructions above.
8. When you have finished using the steam mop, unplug the unit from the electrical outlet and carefully remove the micro-fiber cleaning pad from the mop head. Please note that the micro-fiber cleaning pad gets very hot with the steam. Always use caution when removing.
9. **Never** leave the micro-fiber cleaning pad on the steam mop head when you have finished using the steam mop. Always remove the micro-fiber cleaning pad and wash in warm water with a mild detergent. **Never** use bleach or fabric softener when washing the reusable micro-fiber cleaning pad. The micro-fiber cleaning pad may be washed in a washing machine and dried in a clothes drier on low heat. We recommend that you air dry.

IMPORTANT: Be careful when machine washing or drying with mixed fabrics as micro-fiber pads will pick up lint from other fabrics and the hook and latch strips will stick to other garments. We recommend washing the micro-fiber cleaning pads separately or placing them in a garment bag first.

CAUTION: **Never store the steam mop with a wet or damp micro-fiber cleaning pad still attached as this will damage your floors.**

Care & Maintenance of the Micro-Fiber Cleaning Pad

Due to the unique cleaning ability of this pad, proper care of your micro-fiber cleaning pad is required to ensure long life and continued cleaning ability.

- The first thing you should do when you get a new micro-fiber cleaning pad is to wash and dry it. During the manufacturing process the fabric has a tendency to become flat as it picks up contaminants from the air and machinery. There will also be a number of loose threads that, while they cause no harm, can be annoying the first time you use the pad.

- To wash the micro-fiber cleaning pad, simply put it in your washing machine using the warm water setting or hand wash.
- We recommend washing your micro-fiber cleaning pads separately from other fabrics or placing them in a garment bag first if washing by machine. They have a tendency to pick up lint and other particles from other fabrics and the next time you use your micro-fiber cleaning pad, this lint will transfer to the surface being cleaned.
- **ONLY USE LIQUID DETERGENTS,** never use dry detergents as many times the granules do not fully dissolve and become trapped in the cleaning pad. This can scratch the surface that you are cleaning.
- **NEVER USE BLEACH OR FABRIC SOFTENERS!** Bleach will damage the micro-fiber fabric and fabric softeners deposit a coating on the micro-fiber fabric what will not allow the pad to clean efficiently.
- We recommend that you air dry the micro-fiber cleaning pad. If using a clothes dryer, **do not** put on a high heat setting as high heat will cause the micro-fiber pad to shrink and the micro-fibers to break down.
- Wash the micro-fiber cleaning pads regularly and don't allow them get too dirty so that they will last much longer. As with any fabric, dirt particles, grease and other contaminants can cause the fibers to break down, therefore regular cleaning will help preserve your micro-fiber cleaning pads.
- As you use the micro-fiber cleaning pad, you will notice that sometimes a thread will loosen or pull out. This is normal and you should **NEVER PULL AT THE LOOSE THREAD!** Pulling the thread can cause the weave to come undone. Instead, simply trim the thread with a pair of sharp scissors.

OPERATING INSTRUCTIONS

Helpful Hints

1. Always vacuum or sweep before using the steam mop.
2. The easiest way to use the steam mop is to tilt the ergonomic handle to a 45° angle and clean slowly.
3. Hand wash or machine wash the micro-fiber cleaning pad in a delicate cycle with a mild liquid detergent.
4. We recommend air drying the micro-fiber cleaning pads for 24 hours, but they could be dried in a dryer on a low heat setting.
5. A good amount of steam passes through the micro-fiber cleaning pad. We recommend that the cleaning pad be changed when it gets too wet. These need to be replaced as necessary.
6. To remove stubborn stains from vinyl or linoleum floors, pre-treat with a mild detergent and some water before using the steam mop.

IMPORTANT: Never leave the steam mop in one spot on any surface for any period of time with a damp or wet micro-fiber cleaning pad attached as this will damage your floors.

Care and Maintenance

If you consistently use distilled water, cleaning the water tank is unnecessary.

CAUTION: This appliance must be unplugged from the electrical outlet before performing any cleaning or maintenance tasks on the unit.

Rinsing Out the Steam Mop

1. Let the appliance cool down completely before cleaning or storing.
2. Empty all water from the water tank after each use.

Water

- Use tap water for all your cleaning needs.
- However, if you live in an area with hard water, it is recommended that you use distilled water

IMPORTANT: Do **NOT** add cleaning solutions, scented perfumes, oils or any other chemicals to the water used in this appliance, as this may damage it or make it unsafe for use. **Use distilled water if the tap water in your area is very hard.**

TROUBLE SHOOTING

PROBLEM	POSSIBLE CAUSE	POSSIBLE SOLUTION
STEAM MOP WILL NOT OPERATE	<ol style="list-style-type: none"> 1. Power cord not firmly plugged into outlet. 2. No power in wall outlet. 3. Needs servicing. 	<ol style="list-style-type: none"> 1. Plug unit in firmly. 2. Check fuse or breaker. Replace fuse/reset breaker. 3. Call 1 (800) 798-7398.
STEAM MOP WILL NOT MAKE STEAM	<ol style="list-style-type: none"> 1. No water in water tank. 	<ol style="list-style-type: none"> 1. Add water to the water tank following instructions.
STEAM MOP LEAVES WATER ON THE FLOOR	<ol style="list-style-type: none"> 1. Micro-fiber cleaning pad is too wet. 	<ol style="list-style-type: none"> 1. Unplug unit from power outlet and change the micro-fiber cleaning pad.
STEAM MOP LEFT WHITE SPOT ON FLOOR	<ol style="list-style-type: none"> 1. Steam mop left in one spot too long. 2. Hard water. 	<ol style="list-style-type: none"> 1. Never leave the steam mop on the floor with a damp or wet cleaning pad still attached when not in use. 2. Use distilled water.

To Order Replacement Micro-Fiber Pads for Models S3101 N - S3101W N Item # XT3101

Call: 1 (800)798-7398

Monday to Friday 8:30 A.M. - 5:00 P.M. Eastern Standard Time

Or visit our website: www.sharkcompany.com

FOR TECHNICAL SUPPORT for Models S3101 N - S3101W N

Call: 1 (800) 798-7398

Monday to Friday 8:30 A.M. - 5:00 P.M. Eastern Standard Time



1 YEAR LIMITED WARRANTY

EURO-PRO Operating LLC warrants this product to be free from defects in material and workmanship for a period of one (1) year from the date of the original purchase, when utilized for normal household use, subject to the following conditions, exclusions and exceptions.

Should any defect covered by the terms of the limited warranty be discovered within one year, **EURO-PRO Operating LLC** will repair or replace any defective part provided the unit is returned by the original purchaser, freight prepaid. For Customer Service support, call 1 (800) 798-7398 or visit our website www.sharkcompany.com.

Proof of purchase date and \$ 9.95 for handling and return packing/shipping charges must be included.*

The liability of under this warranty is limited solely to the cost of the replacement parts or the complete unit at our option. **LABOUR CHARGES ARE NOT INCLUDED.**

This warranty does not cover normal wear of parts and does not apply to any unit that has been tampered with or used for commercial purposes. This Limited Warranty does not cover damage caused by misuse, negligent handling, or damage due to faulty packaging or mishandling in transit (by any common carrier).

This warranty is extended to the original purchaser of the unit and excludes all other legal and/or conventional warranties. The responsibility of **EURO-PRO Operating LLC**, if any, is limited to the specific obligations expressly assumed by it under the terms of the limited warranty. In no event is **EURO-PRO Operating LLC** liable for incidental or consequential damages of any nature whatsoever. Some States/Provinces do not permit the exclusion or limitation of incidental or consequential damages, so the above may not apply to you.

This warranty gives you specific legal rights which vary from state to state or province to province.

*Important: Carefully pack item to avoid damage in shipping. Be sure to attach a tag to item before packing with your name, complete address and phone number with note giving purchase information, model number and what you believe is the problem with item. We recommend you insure the package (as damage in shipping is not covered by your warranty). Mark the outside of your package "ATTENTION CUSTOMER SERVICE". **We are constantly striving to improve our products, therefore the specifications contained herein are subject to change without notice.**



OWNERSHIP REGISTRATION CARD FOR CANADIAN CONSUMERS ONLY

Please fill out and mail the product registration card within ten (10) days of purchase. The registration will enable us to contact you in the unlikely event of a product safety notification. By returning this card you acknowledge to have read and understood the instructions for use, and warnings set forth in the accompanying instructions.

RETURN TO: **EURO-PRO Operating LLC**, 4400 Bois Franc, St. Laurent, QC, H4S 1A7

Models: S3101 N - S3101W N

Appliance model

Date purchased

Name of store

Owner's name

Address

City

Province

Postal Code

INSTRUCCIONES IMPORTANTES DE SEGURIDAD

Al usar su **Trapeador a Vapor SHARK**, siempre debe seguir precauciones básicas de seguridad, incluyendo las siguientes:

Advertencia: Para reducir el riesgo de incendio, descarga eléctrica o daños personales:

1. Lea todas las instrucciones antes de utilizar su trapeador a vapor.
2. Use el aparato únicamente en las aplicaciones para las que fue diseñado.
3. **No** lo utilice en el exterior.
4. **No** deje el artefacto desatendido cuando esté enchufado. Siempre desenchufe el cable de alimentación del tomacorriente cuando no lo use y antes de repararlo.
5. **No** permita que se utilice como un juguete. Debe tener mucho cuidado al ser utilizado por o cerca de niños, mascotas o plantas. **No** deje el artefacto desatendido mientras esté enchufado.
6. Utilícelo solamente como se indica en este manual.
7. Use únicamente los accesorios recomendados por el fabricante.
8. **No** utilice el artefacto con un cable de alimentación dañado, o si la unidad se ha caído o dañado. Para evitar el riesgo de descarga eléctrica, no desarme o intente reparar el artefacto usted mismo. Retorne el artefacto a **EURO-PRO Operating LLC** (vea la garantía) para que sea examinado y reparado. El armado o reparación incorrecta puede crear riesgo de descarga eléctrica o heridas a personas al utilizar el artefacto.
9. Para evitar el riesgo de descarga eléctrica, no sumerja ninguna parte del artefacto en agua o ningún otro líquido.
10. **No** lo arrastre o transporte del cable, no lo utilice como manija, no lo apriete con una puerta, o tire del cable a través de esquinas o bordes filosos. Mantenga el cable alejado de superficies calientes.
11. **No** lo desenchufe tirando del cable. Para desenchufarlo, tire del enchufe, no del cable. **No** use cables de extensión o tomacorrientes de capacidad inadecuada.
12. **No** toque el enchufe o el fregador a vapor con las manos húmedas o lo

13. utilice descalzo. **No** introduzca ningún objeto en las ranuras. No lo use con alguna abertura obstruida.
14. **No** coloque las manos o los pies debajo del fregador a vapor. La unidad se calienta mucho.
15. Utilícelo **únicamente** en superficies planas y horizontales. **No** lo utilice en paredes, mesadas o ventanas.
16. **No** lo utilice en cuero, muebles o pisos lustrados con cera, telas sintéticas, terciopelo u otros materiales sensibles al calor.
17. **No** agregue soluciones limpiadoras, perfumes aromáticos, aceites o cualquier otro químico al agua usada en este artefacto ya que podría dañar la unidad y tornarla insegura. Use agua de la canilla o agua destilada/purificada si el agua de la canilla es muy dura en su zona.
18. **Nunca** de vuelta o ponga de costado el artefacto mientras lo esté usando. **NUNCA APUNTE EL VAPOR HACIA PERSONAS, ANIMALES O PLANTAS.**
19. **NUNCA DEJE EL TRAPEADOR A VAPOR EN EL MISMO LUGAR SOBRE CUALQUIER SUPERFICIE POR MUCHO TIEMPO CON EL TRAPO DE MICRO FIBRAS COLOCADO.**
20. Quite cuidadosamente el trapo de micro fibras inmediatamente cuando termine de usar el trapeador.
21. Al limpiar el trapeador, desenchufe el cable de alimentación del tomacorriente y límpielo con un trapo seco o húmedo. **No** vierta agua o use alcohol, bencina o diluyente de pintura en la unidad.
22. Debe tener **mucho cuidado** al utilizar este artefacto para limpiar escaleras.
23. **Nunca** use el trapeador a vapor sin el trapo de micro fibras colocado.
24. Mantenga el área de trabajo bien iluminada.
25. Siempre guarde su artefacto en el interior en un lugar frío y seco.

CONSERVE ESTAS INSTRUCCIONES Para Uso Doméstico Solamente

MEDIDAS IMPORTANTES DE SEGURIDAD ADICIONALES

1. Para evitar la sobrecarga del circuito, no utilice otro artefacto en el mismo enchufe (circuito) con el limpiador de vapor.
2. Si el uso de un cable de extensión es absolutamente necesario, debe usar uno con una capacidad de 15 amperes, cable No. 14. Los cables de capacidad menor pueden recalentarse. Tenga cuidado al colocar el cable para que nadie lo tiree o se tropiece con él.
3. **No** deje el sistema desatendido cuando esté conectado a un tomacorriente.

ADVERTENCIA: Para reducir el riesgo de una descarga eléctrica, este artefacto posee un enchufe polarizado (una pata es más ancha que la otra). Este enchufe entra completamente en un tomacorriente polarizado en una sola posición. De no ser así, invértalo, y si aún así no entra completamente, llame a un electricista calificado para que instale un tomacorriente apropiado. **No** intente modificar el enchufe de ninguna manera.

ADVERTENCIA: Su trapeador a vapor está diseñado para limpiar superficies duras que puedan soportar altas temperaturas. No lo use en madera sin sellar o en pisos de cerámica no cristalizada. En las superficies tratadas con cera, o en algunos pisos que no necesitan cera, el calor y el vapor pueden llegar a sacar la terminación. Siempre le recomendamos que pruebe en un área aislada de la superficie a limpiar antes de empezar. También le recomendamos que repase la instrucciones de uso y cuidado del fabricante del piso.

IMPORTANTE: **No** guarde la unidad con un trapo limpiador de micro fibras mojado/húmedo. **Nunca** deje el trapeador a vapor en el mismo lugar de cualquier superficie por mucho tiempo con un trapo limpiador de micro fibras mojado/húmedo colocado ya que podría dañar el piso.

IMPORTANTE: **No** agregue ninguna solución limpiadora, perfumes aromáticos, aceites o ningún otro químico al agua usada con este artefacto. **Use agua de la canilla o agua destilada/purificada si el agua de la canilla es muy dura en su zona.**

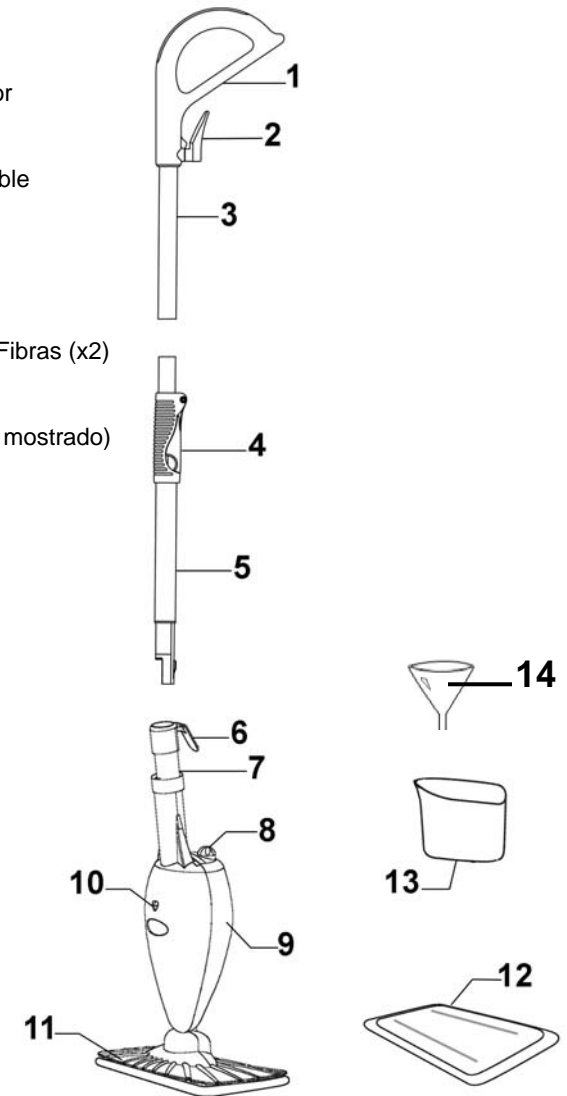


ADVERTENCIA: Peligro de quemaduras. Tenga cuidado al usar el trapeador de vapor. El vapor que se desprende es muy caliente.

CONSERVE ESTAS INSTRUCCIONES PARA USO DOMÉSTICO SOLAMENTE

PARTES DE SU TRAPEADOR DE VAPOR

1. Mango Ergonómico
2. Gancho para el Cable
3. Tubo de Extensión Superior
4. Palanca de Traba
5. Tubo Telescópico
6. Gancho Inferior para el Cable
7. Control de la Bomba
8. Tapón de Tanque de Agua
9. Tanque de Agua
10. Luz de Encendido (Verde)
11. Cabezal del Trapeador
12. Trapo Limpiador de Micro Fibras (x2)
13. Frasco de Llenado
14. Embudo
15. Cable de Alimentación (no mostrado)



Especificaciones Técnicas

Voltaje: 120V., 60Hz.
 Potencia: 1550 Vatios
 Capacidad de agua: 8 Onzas Líquidas (250ml)

*Nota: El dibujo puede no ser igual al producto real.

CARACTERÍSTICAS

Su **trapeador a vapor Shark** utiliza vapor para quitar grasa, tierra y suciedad. El vapor es el limpiador natural más poderoso para limpiar con seguridad todos los pisos duros de su casa sin usar productos químicos, siendo perfectamente ecológico. Limpie sus baldosas, pisos de madera, linóleo y vinílicos.

1. Rápido y Fácil

Elimina el enjuague, escurrido, cargar con baldes de agua y distribuir la suciedad por el piso.

2. Potente

El potente vapor se seca rápidamente, no como los trapeadores tradicionales. Utiliza vapor potente para una mejor limpieza y desinfección.

3. No Usa Productos Químicos

Usa agua potable o destilada. No deja residuos de productos químicos.

4. Liviano

No hay que cargar con baldes pesados. El trapeador a vapor Shark pesa solo 3 libras. Sólo un tercio del peso de un balde de agua y un trapeador.

5. Mango Blando y Ergonómico

Su diseño confortable facilita su manejo sin esfuerzo físico.

6. Arranque Rápido

El vapor está listo en solo 30 segundos.

7. Luz de Encendido

La luz de encendido se pone verde cuando la unidad está enchufada.

8. Trapo Limpiador Reutilizable

Trapo limpiador de micro fibras duradero de tres capas que afloja, levanta y absorbe la suciedad. Simplemente lávelo en la lavadora cuando termine.

INSTRUCCIONES DE USO

Armado de su Trapeador a Vapor

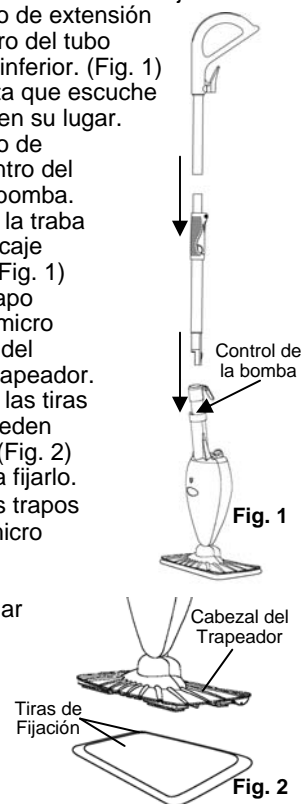
1. Quite todas partes del embalaje.

2. Inserte el tubo de extensión superior dentro del tubo de extensión inferior. (Fig. 1) Insértelo hasta que escuche que se trabe en su lugar.

3. Inserte el tubo de extensión dentro del control de la bomba. Verifique que la traba de fijación encaje en su lugar. (Fig. 1)

4. Coloque el trapo limpiador de micro fibras debajo del cabezal del trapeador. Verifique que las tiras de fijación queden hacia arriba. (Fig. 2) Presione para fijarlo.

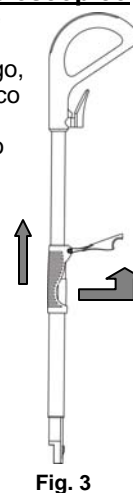
CONSEJO: Los trapos limpiadores de micro fibras tienen una pestaña de color para poder asignar cada trapo a distintos lugares o tareas de su casa.



Para Extender el Tubo Telescópico

1. Levante 90° la palanca de traba. (Fig. 3)
2. Mientras sostiene el mango, extienda el tubo telescópico todo lo deseado. (Fig. 3)
3. Una vez que tenga el tubo extendido a la longitud deseada, cierre la palanca de traba.

CONSEJOS ÚTILES: Si el trapeador a vapor le resulta difícil de deslizar al usarlo, simplemente aumente la longitud del palo.

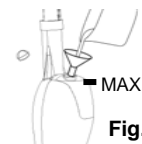


Llenado del Tanque de Agua

IMPORTANTE: Verifique siempre que la unidad esté "DESENCHUFADA" del tomacorriente antes de llenarla por primera vez y antes de colocarle el trapo limpiador de micro fibras debajo del cabezal del trapeador. **Nunca** use el trapeador a vapor sin el trapo limpiador de micro fibras colocado en el cabezal del trapeador.

NOTA: Al usar el trapeador a vapor nuevo por primera vez podría notar un residuo de agua en la unidad. También podría encontrar gotas de agua en las envolturas. Esto es normal y no debe alarmarse. Se debe a que cada trapeador a vapor se prueba 100% en la fábrica para comprobar su rendimiento y su seguridad. Después de estos procedimientos de pruebas, algunas veces queda un residuo de agua en la unidad.

1. Gire la tapa del tanque en sentido antihorario y quítela del tanque. (Fig. 4)
2. Utilizando el frasco de llenado y embudo, vierta un (1) frasco lleno de agua dentro del tanque de agua. No llene la unidad por encima de la línea de "MAX". (Fig. 4)
3. Vuelva a colocar la tapa en el tanque de agua.



Uso del Trapeador de Vapor

IMPORTANTE: **Nunca** use el trapeador a vapor sin el trapo limpiador de micro fibras colocado en el cabezal del trapeador o sin agua en el tanque. Tenga en cuenta que al utilizarlo por primera vez, el artefacto puede tardar más de los 30 segundos normales para emitir vapor. Puede necesitar bombear varias veces antes de que salga vapor. Esto se debe a que el agua tiene que pasar del tanque a través de la bomba y llegar al calefactor. Esto sucederá únicamente la primera vez que lo use.

1. Pase la aspiradora o barra antes de usar su trapeador a vapor.
2. Gire el gancho de liberación rápida para desenrollar completamente el cable.
3. Enchufe el cable en un tomacorriente de 120 voltios de CA.

INSTRUCCIONES DE USO

4. La luz de encendido se encenderá verde.
5. La unidad tardará aproximadamente 30 segundos en calentarse y estar lista para producir vapor.
6. Bombear el mango varias veces para empapar el trapo limpiador de micro fibras. Comience a trapear con movimientos hacia adelante y hacia atrás, esta acción de bombeo liberará vapor a medida que trapea. Vuelva a llenar el tanque cuando sea necesario.
7. Cuando el tanque de agua se vacíe, el trapeador dejará de producir vapor. Desenchúfelo del tomacorriente y vuelva a llenar el tanque de agua siguiendo las instrucciones anteriores.
8. Cuando haya terminado de usar el trapeador a vapor, desenchúfelo del tomacorriente y quite cuidadosamente el trapo limpiador de micro fibras del cabezal. Tenga en cuenta que el trapo limpiador de micro fibras se calienta mucho con el vapor. Tenga siempre mucho cuidado al quitarlo.
9. **Nunca** deje el trapo limpiador de micro fibras en el cabezal del trapeador cuando haya terminado de usarlo. Quite siempre el trapo limpiador de micro fibras y lávelo con agua tibia y detergente suave. **Nunca** use lavandina o suavizante para ropa cuando lave el trapo limpiador de micro fibras. El trapo limpiador de micro fibras se puede lavar en una lavadora y secar en una secadora pero a baja temperatura. Le recomendamos secarlo al aire.

IMPORTANTE: Tenga cuidado al lavarlos o secarlos en una máquina junto con otras prendas ya que el trapo de micro fibras acumulará pelusa de otras telas y las tiras de amarre se adherirán a otras prendas. Le recomendamos lavar el trapo limpiador de micro fibras separadamente o colocarlo primero en una bolsa para lavado.

ADVERTENCIA: Nunca guarde el trapeador a vapor con un trapo limpiador de micro fibras húmedo colocado ya que dañará el piso.

Cuidado y Mantenimiento del Trapo Limpiador de Micro Fibras

Debido a la singular habilidad limpiadora de esta tela, su trapo de micro fibras requiere especial cuidado para asegurar su larga vida y mantener su capacidad limpiadora.

- Lo primero que debe hacer con un trapo de micro fibras nuevo es lavarlo y secarlo. Durante el proceso de fabricación, la tela tiende a aplastarse a medida que colecta contaminantes del aire y de la maquinaria. También tendrá algunos hilos sueltos que a pesar de no causar ningún daño, pueden resultar molestos al usar el trapo por primera vez.
- Para limpiar el trapo limpiador de micro fibras, simplemente lávelo en su lavadora usando el ciclo de agua tibia o lava a mano.
- Le recomendamos lavar el trapo limpiador de micro fibras separadamente o colocarlo primero en una bolsa para lavado. Tienden a acumular pelusas y otras partículas de otras telas, y la próxima vez que use su trapo, esta pelusa pasará a la superficie a limpiar.
- **USE ÚNICAMENTE DETERGENTES LÍQUIDOS**, nunca use detergentes en polvo ya que muchas veces los gránulos no se disuelven completamente y quedan atrapados en el trapo. Esto puede manchar la superficie a limpiar.
- **¡NUNCA USE LAVANDINA O SUAVIZANTE PARA ROPA!** La lavandina dañará la tela de micro fibras y los suavizantes para ropa depositarán un recubrimiento en la tela de micro fibras que impedirán que la tela pueda limpiar eficientemente.
- Le recomendamos secar su trapo limpiador de micro fibras al aire. Si utiliza una secadora de ropa, **no** la ponga en calor alto ya que esto haría que el trapo de micro fibras encogiera y que se rompan las micro fibras.
- Su usted lava el trapo limpiador de micro fibras regularmente y no deja que se ensucie demasiado, durará mucho más tiempo. Como con cualquier tela, las partículas de tierra, grasa y otros contaminantes pueden hacer que la tela se rompa, por lo tanto la limpieza periódica conservará su trapo limpiador de micro fibras.
- A medida que usa su trapo limpiador de micro fibras, notará que a veces un hilo se afloja o se sale. Esto es normal, y **¡NUNCA DEBE TIRAR DE LOS HILOS FLOJOS!** Tirando de los hilos causará que se deshaga la trama de la toalla. En su lugar, simplemente corte el hilo con una tijera bien afilada.

INSTRUCCIONES DE USO

Consejos Útiles

1. Siempre pase la aspiradora o barra antes de usar su trapeador a vapor.
2. La forma más fácil de usar el trapeador a vapor es inclinando el mango ergonómico a un ángulo de 45° y limpiar lentamente.
3. Lave el trapo limpiador de micro fibras a mano o en la lavadora usando el ciclo delicado con un detergente líquido suave.
4. Le recomendamos secar el trapo limpiador de micro fibras al aire durante 24 horas, pero también lo puede secar en una secadora en calor bajo.
5. Una gran cantidad de vapor pasa a través del trapo limpiador de micro fibras. Le recomendamos cambiarlo cuando se humedece demasiado. Debe reemplazarlo cuando sea necesario.
6. Para quitar manchas difíciles en pisos vinílicos o de linóleo, trátelos primero con un detergente suave y agua antes de usar el trapeador a vapor.

IMPORTANTE: Nunca deje el trapeador a vapor en el mismo lugar de cualquier superficie por mucho tiempo con un trapo limpiador de micro fibras mojado/húmedo colocado ya que podría dañar el piso.

Cuidado y Mantenimiento

Si usa constantemente agua destilada, no necesita limpiar la unidad.

ADVERTENCIA: Este artefacto debe desenchufarse del tomacorriente antes de limpiarlo o repararlo.

Enjuagado del Trapeador a Vapor

1. Permita que el artefacto se enfríe completamente antes de limpiarlo o guardarlo.
2. Vacíe el agua del tanque después de cada uso.

Agua

- Use agua de la canilla.
- Sin embargo, si usted vive en un área de agua dura, le recomendamos usar agua destilada.

IMPORTANTE: **No** agregue soluciones limpiadoras, perfumes aromáticos, aceites o cualquier otro químico al agua usada en este artefacto ya que podría dañar la unidad y tornarla insegura. **Use agua de la canilla o agua destilada si el agua de la canilla es muy dura en su zona.**

PROBLEMA	POSIBLE CAUSA	POSIBLE SOLUCIÓN
EL TRAPEADOR A VAPOR NO FUNCIONA	<ol style="list-style-type: none"> Cable mal enchufado en el tomacorriente. El tomacorriente no funciona. Necesita reparación. 	<ol style="list-style-type: none"> Enchúfela firmemente. Verifique el fusible o la llave general. Reemplace el fusible/encienda la llave general. Llame al 1 (800) 798-7398.
EL TRAPEADOR NO PRODUCE VAPOR	<ol style="list-style-type: none"> No hay agua en el tanque. 	<ol style="list-style-type: none"> Agregue agua en el tanque siguiendo las instrucciones.
EL TRAPEADOR DEJA EL PISO MOJADO	<ol style="list-style-type: none"> El trapo limpiador de micro fibras está demasiado húmedo. 	<ol style="list-style-type: none"> Desenchufe la unidad del tomacorriente y reemplace el trapo limpiador de micro fibras.
EL TRAPEADOR DEJA UNA MANCHA BLANCA EN EL PISO	<ol style="list-style-type: none"> El trapeador permaneció mucho tiempo en el mismo lugar. Agua dura. 	<ol style="list-style-type: none"> Nunca deje el trapeador a vapor en el piso con un trapo de limpieza mojado o húmedo colocado cuando no lo utilice. Use agua destilada.

Para ordenar trapos de micro fibras de repuesto para los Modelos S3101 N - S3101W N Artículo XT3101

Llame al: 1 (800) 798-7398

de Lunes a Viernes de 8:30 AM hasta 5:00 PM Eastern Standard Time
o visite nuestro sitio de Internet: www.sharkcompany.com

PARA SOPORTE TÉCNICO para los modelos S3101 N - S3101W N

Llame al: 1 (800) 798-7398

de Lunes a Viernes de 8:30 AM hasta 5:00 PM Eastern Standard Time

Modelos
S3101 N
S3101W N

EURO-PRO 

GARANTÍA LIMITADA DE 1 AÑO

EURO-PRO Operating LLC garantiza este producto contra defectos de materiales y mano de obra por un término de un (1) año a partir de la fecha de compra original, siempre que sea utilizado para uso doméstico normal, sujeto a las siguientes condiciones, exclusiones y excepciones.

Si tiene algún problema cubierto por esta garantía dentro del primer año desde la fecha de compra, **EURO-PRO Operating LLC** reparará o reemplazará cualquier parte defectuosa siempre que la unidad sea retornada por el comprador original, con envío prepagado. Para Servicio al Cliente, llame al 1 (800) 798-7398 o visite nuestro sitio Web www.sharkcompany.com.

Debe incluir un comprobante de la fecha de compra y \$ 9,95 para cubrir los gastos de envío. *

La responsabilidad de **EURO-PRO Operating LLC** se limita únicamente al costo de reparación o reemplazo de la unidad, a nuestro criterio. **LOS CARGOS POR MANO DE OBRA NO ESTÁN INCLUIDOS.**

Esta garantía no cubre el desgaste normal de las partes y no cubre ninguna unidad que haya sido alterada o utilizada con fines comerciales. Esta garantía limitada no cubre daños ocasionados por uso inadecuado, negligencia o daños causados por embalaje inapropiado o maltrato durante el transporte (de cualquier compañía de transportes).

Esta garantía es válida para el comprador original del producto y excluye cualquier otra garantía legal y/o convencional. La responsabilidad de **EURO-PRO Operating LLC**, de existir, se limita a las obligaciones específicas asumidas expresamente bajo los términos de esta garantía limitada. Bajo ninguna circunstancia **EURO-PRO Operating LLC** será responsable por daños incidentales o indirectos de ninguna clase. Algunos Estados/Provincias no permiten la exclusión o limitación de daños consiguientes o incidentales, por lo tanto lo anterior puede no ser válido para usted.

Esta garantía le otorga derechos legales que varían de estado a estado o de provincia a provincia.

*Importante: Embale el producto cuidadosamente para evitar daños durante el transporte. Asegúrese de incluir un comprobante de la fecha de compra y de colocarle una etiqueta al producto con su nombre, dirección completa y número de teléfono, una nota proporcionando información de la compra, número de modelo y una descripción del problema. Le recomendamos asegurar el paquete (puesto que la garantía no cubre daños de envío). Escriba en el exterior del paquete "ATTENTION CUSTOMER SERVICE". **Nosotros nos esforzamos constantemente en mejorar nuestros productos, por lo tanto las especificaciones aquí indicadas pueden cambiar sin previo aviso.**



TARJETA DE REGISTRO DEL CLIENTE SÓLO PARA CONSUMIDORES CANADIENSES

Complete y envíe la tarjeta de registro del producto dentro de los diez (10) días posteriores a la compra. El registro nos permitirá contactarnos con usted en caso de existir alguna notificación de seguridad con respecto al producto. Retornando esta tarjeta usted reconoce haber leído y entendido las instrucciones de uso y advertencias incluidas en estas instrucciones.

ENVIAR A: **EURO-PRO Operating LLC**, 4400 Bois Franc, St. Laurent, QC, H4S 1A7

Modelos: S3101 N - S3101W N

Modelo del Artefacto			
Fecha de compra		Nombre del Negocio	
Nombre del Usuario			
Dirección	Ciudad	Provincia	Código Postal

CONSIGNES DE SÉCURITÉ IMPORTANTES

Lors de l'utilisation de votre **vadrouille à vapeur verticale SHARK**, des précautions élémentaires doivent être observées, dont les suivantes:

Mise en garde: Afin de réduire les risques d'incendie, d'électrocution et de blessure:

1. Avant d'utiliser votre vadrouille à vapeur, lisez toutes les directives.
2. **N'utilisez** cet appareil qu'aux fins pour lesquelles il est conçu.
3. **N'utilisez pas** à l'extérieur.
4. **Ne laissez pas** l'appareil branché sans surveillance. Débranchez toujours le cordon d'alimentation lorsque vous ne l'utilisez pas et avant de procéder à son entretien.
5. **Cet appareil n'est pas un jouet.** Une surveillance étroite est nécessaire lors de l'usage par des enfants ou à proximité des enfants, animaux ou plantes. **Évitez** de laisser l'appareil sans surveillance s'il est branché.
6. **N'utilisez** cet appareil que de la façon décrite dans ce guide.
7. **N'utilisez** que les accessoires recommandés par le fabricant.
8. **N'utilisez pas** l'appareil si sa fiche ou son cordon sont endommagés ou s'il a été échappé ou endommagé. Pour éviter tout risque d'électrocution, évitez de démonter ou de tenter de réparer l'appareil. Retournez l'appareil à **EURO-PRO** Operating LLC (voir la garantie) pour examen et réparation. Un réassemblage ou réparation inadéquats peuvent poser des risques d'électrocution ou de blessures aux personnes utilisant l'appareil.
9. Afin d'éviter l'électrocution, n'immergez pas la vadrouille.
10. **N'utilisez pas** sur le cordon pour transporter l'appareil, comme d'une poignée. Évitez de le coincer dans une porte ou de le tirer autour de rebords coupants. Tenez le cordon loin des surfaces chaudes.
11. **Ne débranchez pas** l'appareil en tirant sur le cordon d'alimentation. Pour débrancher, agrippez la fiche, et non le cordon. **N'utilisez pas** de rallonges ou de prises de courant de puissance inadéquate.
12. Ne manipulez pas la fiche ou la vadrouille à vapeur avec les mains mouillées et ne l'utilisez pas sans porter de chaussures.

13. **Ne mettez aucun** objet dans les ouvertures. N'utilisez pas l'appareil si une ouverture est bloquée.
14. **Ne mettez pas** les mains ou les pieds sous la vadrouille à vapeur. L'appareil peut être très chaud.
15. **N'utilisez l'aspirateur que sur des surfaces sèches, planes et horizontales. Ne l'utilisez pas** sur les murs, les comptoirs ou les fenêtres.
16. **N'utilisez pas** l'appareil sur les surfaces de cuir, de vernis de cire, de tissus synthétiques, de velours ou d'autre tissus délicats sensibles à la vapeur.
17. **N'ajoutez pas** de produit nettoyant, de parfum, huile ou autre produit chimique à l'eau utilisée avec cet appareil: cela pourrait l'endommager et nuire à son utilisation sécuritaire. Utilisez l'eau du robinet ou de l'eau distillée ou purifiée si vous êtes situé dans une zone d'eau dure.
18. Lorsque vous l'utilisez, ne retournez **JAMAIS** l'appareil à l'envers ou sur le côté. **NE DIRIGEZ JAMAIS LA VAPEUR VERS LES GENS, LES ANIMAUX OU LES PLANTÉS.**
19. **NE LAISSEZ JAMAIS LA VADROUILLE À VAPEUR AU MÊME ENDROIT LORSQUE LE TISSU DE MICROFIBRE Y EST FIXÉ..**
20. Retirez prudemment le tissu de microfibre immédiatement après avoir terminé votre utilisation de la vadrouille à vapeur.
21. Retirez le cordon d'alimentation de la prise électrique lorsque vous nettoyez la vadrouille à vapeur à l'aide d'un linge sec ou humide. **Ne versez pas** d'eau ou d'alcool, de benzène ou de diluant à peinture sur l'appareil.
22. Une **extrême prudence** est de mise lors du nettoyage des escaliers.
23. **N'utilisez jamais** la vadrouille à vapeur sans le tissu de microfibre.
24. Assurez-vous que votre espace de travail est bien éclairé.
25. Rangez la vadrouille à vapeur à l'intérieur dans un endroit frais et sec.

CONSERVEZ CE MODE D'EMPLOI
Pour usage domestique seulement

MESURES DE PRÉCAUTION IMPORTANTES SUPPLÉMENTAIRES

1. Afin d'éviter une surcharge électrique, **n'utilisez pas** un autre appareil sur le même circuit électrique.
2. Si vous devez absolument utiliser une rallonge, utilisez un cordon de 15 ampères minimum de calibre 14. Les rallonges de calibre moindre pourraient surchauffer. Disposez les rallonges de façon à ce que personne ne puisse les tirer ou y trébucher.
3. **Ne laissez pas** l'appareil sans surveillance lorsqu'il est branché.

MISE EN GARDE: Afin de réduire les risques d'électrocution, cet appareil est doté d'un cordon à fiche polarisée (une lame est plus large que l'autre). Cette fiche ne s'insère que dans un seul sens dans une prise polarisée. Si la fiche ne s'insère pas dans la prise, retournez la fiche. Si elle ne s'adapte toujours pas, contactez un électricien qualifié afin d'installer la prise appropriée. **N'altérez** la fiche d'aucune façon.

MISE EN GARDE: Votre vadrouille à vapeur est conçue pour nettoyer les surfaces de plancher pouvant supporter une chaleur élevée. Ne l'utilisez pas sur le bois nu ni sur la céramique non vernie. La chaleur et l'action vaporisante peut éliminer les surfaces traitées à la cire ou autre produit. Il est toujours recommandé d'effectuer un test sur une zone isolée de la surface avant de procéder. Nous vous recommandons également de vérifier les consignes d'utilisation et d'entretien du fabricant de plancher.

IMPORTANT: Ne rangez pas l'appareil sans retirer son tissu de microfibre encore humide ou mouillé. **Ne laissez jamais** la vadrouille à vapeur au même endroit lorsque le tissu de microfibre y est fixé : cela endommagerait votre plancher.

IMPORTANT: N'AJOUTEZ PAS de produit nettoyant, de parfum, huile ou autre produit chimique à l'eau utilisée avec cet appareil. **Utilisez l'eau du robinet ou de l'eau distillée si vous êtes situé dans une zone d'eau dure.**

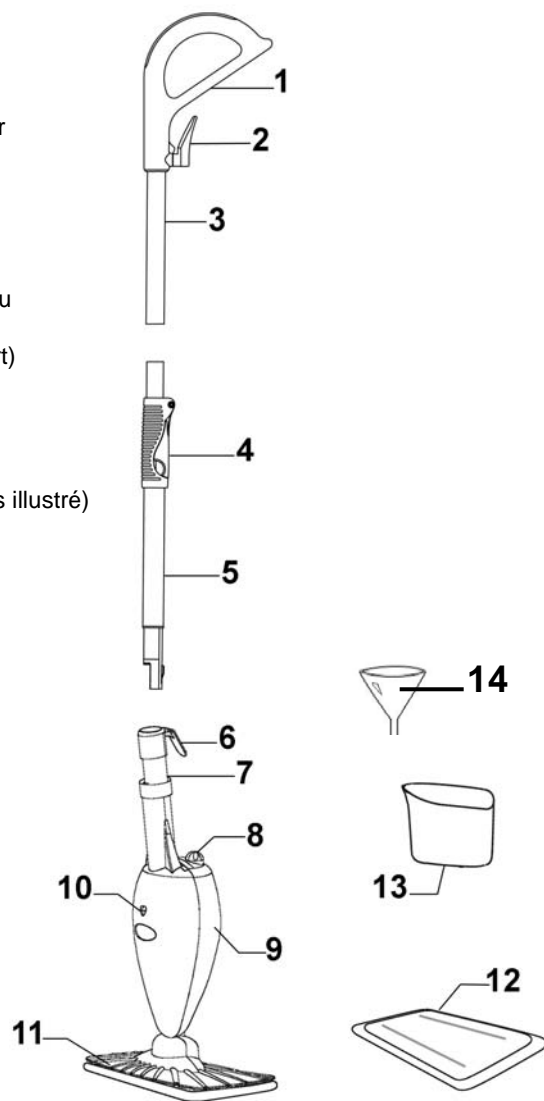


AVERTISSEMENT: Risque de brûlure. Soyez prudent lorsque vous utilisez la vadrouille à vapeur. La vapeur qui s'échappe est très chaude.

CONSERVEZ CE MODE D'EMPLOI
POUR USAGE DOMESTIQUE SEULEMENT

FAMILIARISEZ-VOUS VADROUILLE À VAPEUR

1. Poignée ergonomique
2. Cordon d'alimentation à déroulement rapide
3. Tube de rallonge supérieur
4. Langue de verrouillage
5. Tube télescopique
6. Enrouleur inférieur de cordon d'alimentation
7. Activateur de la pompe
8. Bouchon de réservoir d'eau
9. Réservoir d'eau
10. Témoin d'alimentation (vert)
11. Tête de la vadrouille
12. Chiffon de microfibre (x2)
13. Gobelet de remplissage
14. Entonnoir
15. Cordon d'alimentation (pas illustré)



Fiche technique

Tension : 120 V, 60 Hz
 Intensité : 1550 watts
 Capacité : 8 onces (US) (250 ml)

*Remarque : Les illustrations peuvent différer de l'appareil réel

CARACTÉRISTIQUES

Votre **vadrouille à vapeur Shark** utilise la vapeur pour éliminer la graisse, la saleté et les dépôts tenaces. La vapeur est le nettoyant naturel le plus pur et le plus puissant. Elle permet de nettoyer les surfaces dures en sécurité à la maison, sans produit chimique corrosif. Elle est entièrement écologique. Elle nettoie vos planchers de tuile, de bois, de linoléum et de plastique vinyle.

1. Rapide et facile

Élimine le rinçage, le tordage, le transport de seaux d'eau et la redistribution de la saleté sur les planchers.

2. Puissante

Séchage rapide contrairement aux vadrouilles conventionnelles. Utilise une vapeur puissante pour un nettoyage et une hygiène supérieure.

3. Aucun produit chimique

Utilisez l'eau du robinet ou de l'eau distillée. Ne laisse aucun résidu chimique.

4. Légère

Aucun seau lourd à transporter. La vadrouille à vapeur Shark ne pèse que 1.5 kg. Seulement le tiers du poids d'un seau d'eau et d'une vadrouille conventionnelle.

5. Ergonomique

Poignée ergonomique à prise facile. Sa conception confortable facilite la manœuvre sans effort physique.

6. Démarrage rapide

La vapeur est prête en seulement 30 secondes.

7. Témoin d'alimentation

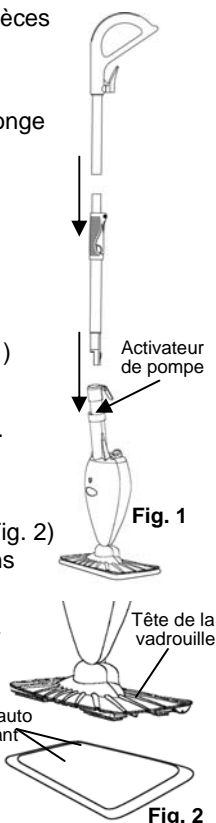
Le témoin d'alimentation s'allume en vert une fois l'appareil branché.

8. Chiffon de nettoyage réutilisable

Le chiffon de microfibre à triple couche durable dégage, soulève et absorbe la saleté. Vous n'avez ensuite qu'à mettre dans la laveuse.

Assemblage de votre vadrouille à vapeur

1. Retirez toutes les pièces de l'emballage.
2. Poussez le tube de rallonge supérieur dans le tube de rallonge inférieur jusqu'à ce qu'il clique. (Fig. 1)
3. Insérez le jeu de rallonge dans l'activateur de pompe. Assurez-vous que l'onglet de verrouillage s'enclenche. (Fig. 1)
4. Placez le chiffon de microfibre sous la tête de la vadrouille. Assurez-vous que les rubans auto agrippants font face vers le haut. (Fig. 2)



CONSEIL: Les chiffons de microfibre ont un onglet coloré, ce qui vous permet d'assigner un chiffon différent à différentes tâches ou pièces de la maison.

Pour allonger le tube télescopique

1. Soulevez la languette de verrouillage jusqu'à 90°. (Fig. 3)
2. En tenant la poignée, prolongez le tube télescopique à la longueur souhaitée. (Fig. 3)
3. Lorsque vous avez le tube télescopique à la longueur souhaitée, fermez la languette de verrouillage.

CONSEILS PRATIQUES: Si vous avez de la difficulté à pousser ou à tirer de la vadrouille à vapeur lorsque vous l'utilisez, simplement augmentez la hauteur du poteau.

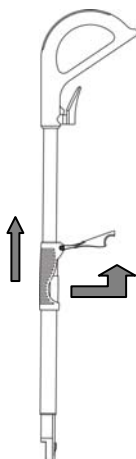


Fig. 3

Remplissage du réservoir

IMPORTANT: Assurez-vous toujours que l'appareil est DÉBRANCHÉ avant le remplissage et avant de fixer le chiffon de microfibre à la tête de la vadrouille. N'utilisez **jamais** la vadrouille à vapeur sans chiffon de microfibre sur la tête de la vadrouille.

Remarque: Durant l'utilisation initiale de votre nouvelle vadrouille à vapeur, vous pourriez observer un résidu d'eau à l'intérieur de l'unité. Des gouttes d'eau peuvent aussi être trouvées dans l'emballage. Ne soyez pas alarmé, ceci est normal. Chaque vadrouille à vapeur est soumis à un essai à 100% à l'usine, pour assurer la performance du produit et la sécurité. De l'eau résiduelle est quelquefois laissée dans l'unité à la suite de ces procédures d'essai.

1. Tournez le bouchon dans le sens antihoraire et retirez-le du réservoir. (Fig. 4)
2. À l'aide du gobelet de remplissage et l'entonnoir, versez l'eau dans le réservoir. **Ne faites pas déborder** l'appareil au-dessus de la ligne «MAX». (Fig. 4)
3. Remplacez le bouchon sur le réservoir.

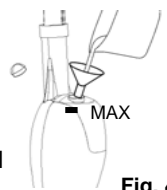


Fig. 4

Utilisation de la vadrouille à vapeur

IMPORTANT: N'utilisez jamais la vadrouille à vapeur sans chiffon de microfibre sur la tête de la vadrouille ou sans eau dans le réservoir.

Remarque: à la première utilisation, l'appareil peut prendre plus de 30 secondes pour produire de la vapeur. Vous devrez peut-être activer la poignée quelques fois avant de produire de la vapeur. Cela est causé par le fait que l'eau passe du réservoir, par la pompe, dans la bouilloire. Cela ne surviendra que la première fois.

1. Passez l'aspirateur ou le balai avant d'utiliser la vadrouille à vapeur.
2. Tournez le porte-cordon à déroulement rapide pour dérouler le cordon d'alimentation.
3. Branchez l'appareil dans une prise de 120 volts.
4. Le témoin d'alimentation devient vert.

5. L'appareil prend environ 30 secondes à chauffer et à préparer la vapeur.
6. Pompez la poignée à quelques reprises pour humecter le chiffon de microfibre. Commencez à passer la vadrouille dans un mouvement d'avant en arrière. Cette action libérera la vapeur.
7. Lorsque le réservoir est vide, la vadrouille cesse de produire de la vapeur. Débranchez le cordon d'alimentation de la prise murale. Remplissez le réservoir selon les instructions ci-dessus.
8. Lorsque vous avez terminé, retirez l'appareil de la prise électrique et retirez le chiffon de microfibre avec soin de la tête de la vadrouille. Remarque: le chiffon de microfibre devient très chaud à la vapeur. Soyez prudent lorsque vous le retirez.
9. **Ne laissez jamais** le chiffon de microfibre sur la tête de la vadrouille à vapeur lorsque vous en avez terminé l'utilisation. Retirez toujours le chiffon de microfibre et lavez-le à l'eau tiède avec un savon doux. N'utilisez **jamais** de javellisant ou d'assouplissant lorsque vous lavez le chiffon de microfibre. Le chiffon de microfibre peut être lavé à la machine et séché à la sècheuse à basse température. Nous vous recommandons de le sécher à plat.

IMPORTANT: Soyez prudent lorsque vous lavez ou séchez le chiffon de microfibre avec d'autres vêtements: la microfibre ramassera les peluches des autres tissus et les rubans auto agrippants colleront aux autres vêtements. Nous vous recommandons de laver la microfibre séparément ou de la mettre d'abord dans un sac de lavage.

MISE EN GARDE: Ne rangez jamais la vadrouille à vapeur sans d'abord retirer le chiffon de microfibre encore mouillé ou humide; cela endommagerait vos planchers.

Soin et entretien du chiffon de microfibre

Étant donné le pouvoir nettoyant unique de ce chiffon, un entretien adéquat est nécessaire à sa durée de vie et à son pouvoir nettoyant.

- La première chose à faire avec un nouveau chiffon de microfibre est de le nettoyer et de le sécher. En cours de fabrication, le chiffon a tendance à s'aplatir en ramassant des contaminants présents dans l'air et dans la machinerie. Un certain nombre de fils relâchés peuvent déranger à la première utilisation, bien qu'ils ne nuisent en aucun cas.
- Pour laver le chiffon de microfibre, mettez-le simplement dans la laveuse à l'eau tiède ou lavez à la main.
- Nous vous recommandons de laver la microfibre séparément ou de la mettre d'abord dans un sac de lavage si vous utilisez la laveuse. Ils ont tendance à ramasser la peluche et autres particules des autres chiffons et, à la prochaine utilisation, ces dernières seront transférées sur la surface à nettoyer.
- **N'UTILISEZ QUE DU DÉTERGENT LIQUIDE**, jamais de détergent sec: les granules ne se dissolvent pas toutes et sont capturées par le chiffon. Cela pourrait rayer la surface nettoyée.
- **N'UTILISEZ JAMAIS DE JAVELLISANT OU D'ASSOULISSANT!** Le javellisant endommagera le chiffon de microfibre et les assouplissants déposent un enduit sur le chiffon qui l'empêchera de nettoyer de manière efficace.
- Nous vous recommandons de le sécher à plat. Si vous utilisez la sècheuse, **n'utilisez pas** la température élevée, qui fera rapetisser le chiffon et détruira les microfibrilles.
- Si vous lavez vos chiffons de microfibre régulièrement et que vous ne les laissez pas s'encrasser, ils dureront beaucoup plus longtemps. Comme pour tout chiffon, des particules de poussière, de graisse et autres contaminants peuvent détruire les fibres. Un lavage régulier préserve les microfibrilles des chiffons.
- Il arrive parfois qu'un fil se détache ou se relâche de vos chiffons de microfibre. Cela est normal. **NE TIREZ JAMAIS SUR LE FIL RELÂCHÉ!** Tirer sur le fil pourrait découdre le chiffon. Coupez-le plutôt à l'aide de ciseaux bien aiguisés.

MODE D'EMPLOI

Trucs pratiques

1. Passez toujours l'aspirateur ou le balai avant d'utiliser la vadrouille à vapeur.
2. La façon la plus facile d'utiliser la vadrouille à vapeur est d'incliner sa poignée ergonomique à 45° et de nettoyer lentement.
3. Lavez le chiffon de microfibre à la main ou à la machine au cycle délicat avec un savon doux liquide.
4. Nous vous recommandons de sécher les chiffons de microfibre à plat pendant 24 heures, ou à la sècheuse à basse température.
5. Beaucoup de vapeur traverse le chiffon de microfibre. Changez de chiffon avant qu'il ne devienne trop mouillé. Ils doivent être remplacés au besoin.
6. Pour éliminer les taches tenaces des planchers de plastique vinylique ou de linoléum, traitez-les d'abord au savon doux et à l'eau.

IMPORTANT: Ne laissez jamais la vadrouille à vapeur au même endroit lorsque le chiffon de microfibre y est fixé: cela endommagerait votre plancher.

Entretien

Si vous utilisez toujours de l'eau distillée, le nettoyage du réservoir n'est pas nécessaire.

MISE EN GARDE: Cet appareil doit être débranché de la prise électrique avant tout nettoyage ou entretien.

Rinçage de la vadrouille à vapeur

1. Laissez l'appareil refroidir complètement avant de la nettoyer ou de la ranger.
2. Videz toute l'eau du réservoir après chaque utilisation.

Eau

- Utilisez l'eau du robinet pour tous les nettoyages.
- L'eau distillée est recommandée si vous vivez dans une zone d'eau dure.

IMPORTANT: N'AJOUTEZ PAS de produit nettoyant, de parfum, huile ou autre produit chimique à l'eau utilisée avec cet appareil: cela pourrait l'endommager et nuire à son utilisation sécuritaire. **Utilisez l'eau du robinet ou de l'eau distillée si vous êtes situé dans une zone d'eau dure.**

DÉPANNAGE

PROBLÈME	CAUSE PROBABLE	SOLUTION POSSIBLE
LA VADROUILLE À VAPEUR NE FONCTIONNE PAS	<ol style="list-style-type: none"> 1. Le cordon n'est pas branché dans la prise. 2. La prise ne fonctionne pas. 3. Réparations requises. 	<ol style="list-style-type: none"> 1. Branchez bien l'appareil. 2. Vérifiez le fusible ou le disjoncteur. Remplacez le fusible ou réinitialisez le disjoncteur. 3. Appelez le 1 (866) 826-6941.
LA VADROUILLE NE PRODUIT AUCUNE VAPEUR	<ol style="list-style-type: none"> 1. Il n'y a pas d'eau dans le réservoir. 	<ol style="list-style-type: none"> 1. Versez de l'eau dans le réservoir selon les instructions.
LA VADROUILLE À VAPEUR LAISSE DE L'EAU SUR LE PLANCHER	<ol style="list-style-type: none"> 1. Le chiffon de microfibre est trop mouillé. 	<ol style="list-style-type: none"> 1. Débranchez l'appareil et remplacez le chiffon de microfibre.
LA VADROUILLE À VAPEUR LAISSE DES TACHES BLANCHES SUR LE PLANCHER	<ol style="list-style-type: none"> 1. La vadrouille à vapeur a été laissée trop longtemps au même endroit. 2. Eau dure. 	<ol style="list-style-type: none"> 1. Ne laissez jamais la vadrouille à vapeur au même endroit avec un chiffon de microfibre humide ou mouillé. 2. Utilisez de l'eau distillée.

Pour commander des chiffons de microfibre de rechange

Modèles: S3101 N - S3101W N

Article XT3101

Appelez le 1 (866) 826-6941

Du lundi au vendredi, de 8 h 30 à 17 h 00 heure normale de l'Est

Ou visitez notre site Web: www.sharkcompany.com

SOUTIEN TECHNIQUE

Modèles: S3101 N - S3101W N

Appelez le 1 (866) 826-6941

Du lundi au vendredi, de 8 h 30 à 17 h 00 heure normale de l'Est

GARANTIE LIMITÉE D'UN AN

EURO-PRO Operating LLC garantit ce produit contre toute défectuosité matérielle ou de main d'œuvre pour une période d'un (1) an à compter de la date d'achat, dans le cadre d'une utilisation domestique normale, en vertu des conditions, exclusions et exceptions suivantes.

Si **EURO-PRO Operating LLC** constate que l'appareil comporte une défectuosité couverte par la garantie limitée un an suivant la date d'achat, elle réparera ou remplacera la pièce ou l'appareil défectueux s'il est retourné par l'acheteur initial, frais de port prépayé. Pour rejoindre le service à la clientèle, téléphonez au 1 (866) 826-6941 ou visitez notre site Web: www.sharkcompany.com.

Une preuve d'achat indiquant la date d'achat et un montant de 9,95 \$ pour la manutention et l'envoi de retour doivent être inclus.*

La responsabilité en vertu de cette garantie ne se limite qu'au coût des pièces de rechange ou de l'appareil, à notre discrétion. LES FRAIS DE MAIN-D'OEUVRE NE SONT PAS INCLUS.

Cette garantie ne couvre pas l'usure normale des pièces et ne couvre pas les appareils altérés ou utilisés à des fins commerciales. Cette garantie limitée exclut les dommages causés par le mésusage, la manipulation négligente ainsi que par une manutention en transit ou un emballage inadéquats.

Cette garantie couvre l'acheteur initial du produit et exclut toute autre garantie juridique ou conventionnelle. Le cas échéant, **EURO-PRO Operating LLC** n'est tenue qu'aux obligations spécifiques assumées par elle de façon expresse en vertu des conditions de cette garantie limitée. En aucun cas **EURO-PRO Operating LLC** ne sera-t-elle tenue responsable de dommages indirects de quelque nature que ce soit. Certains états ou provinces n'autorisent pas l'exclusion ou la limitation des dommages indirects. Ainsi, la disposition ci-devant pourrait ne pas s'appliquer à vous.

Cette garantie vous confère des droits juridiques précis pouvant varier d'un état ou d'une province à l'autre.

*Important : Emballez soigneusement l'appareil afin d'éviter tout dommage durant le transport. Avant d'emballer l'appareil, assurez-vous d'y apposer une étiquette portant vos nom, adresse complète et numéro de téléphone ainsi qu'une note précisant les détails de l'achat, le modèle et le problème éprouvé par l'appareil. Nous vous recommandons d'assurer votre colis (les dommages survenus durant le transport ne sont pas couverts par la garantie). Indiquez « AUX SOINS DU SERVICE À LA CLIENTÈLE » sur l'emballage extérieur. **Comme nous nous efforçons en tout temps d'améliorer nos produits, les spécifications décrites dans ce guide sont sujettes à changement sans préavis.**



FICHE D'ENREGISTREMENT DU PROPRIÉTAIRE CONSUMMATEURS CANADIENS SEULEMENT

Veillez remplir cette fiche d'enregistrement et la poster dans les dix (10) jours suivant l'achat. L'enregistrement nous permettra de communiquer avec vous en cas d'avis sur la sécurité du produit. En nous retournant cette fiche, vous convenez avoir lu et compris les consignes d'utilisation et les avertissements qui les accompagnent.

RETOURNEZ À : **EURO-PRO Operating LLC**, 4400, Bois Franc, St-Laurent QC H4S 1A7

Modèles: S3101 N - S3101W N

Modèle de l'appareil

Date d'achat Détaillant

Nom du propriétaire

Adresse Ville Province Code postal