

Shark ION ROBOT™

EASE OF A ROBOT. PERFORMANCE OF A SHARK.™

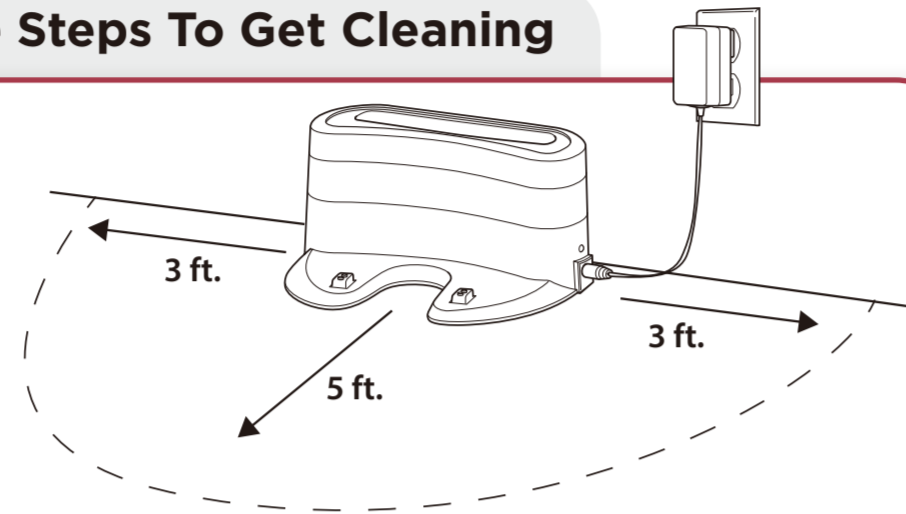
CONGRATULATIONS ON YOUR NEW SHARK ION ROBOT

Getting Started is Easy - Follow These Simple Steps To Get Cleaning

STEP 1

SET UP YOUR CHARGING DOCK:

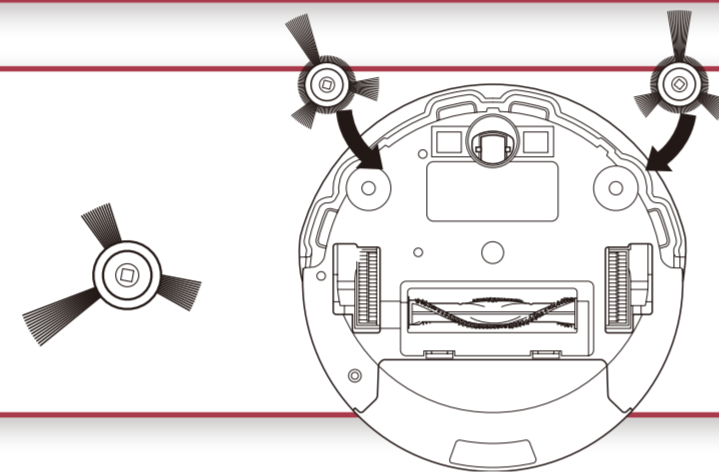
Place charging dock on a level surface with its back against a wall, in a space without obstructions, that can easily be accessed by your Shark ION ROBOT. Plug dock into a power outlet.



STEP 2

INSTALL THE SIDE BRUSHES

Flip the robot over and snap on the 2 side brushes included in the box.

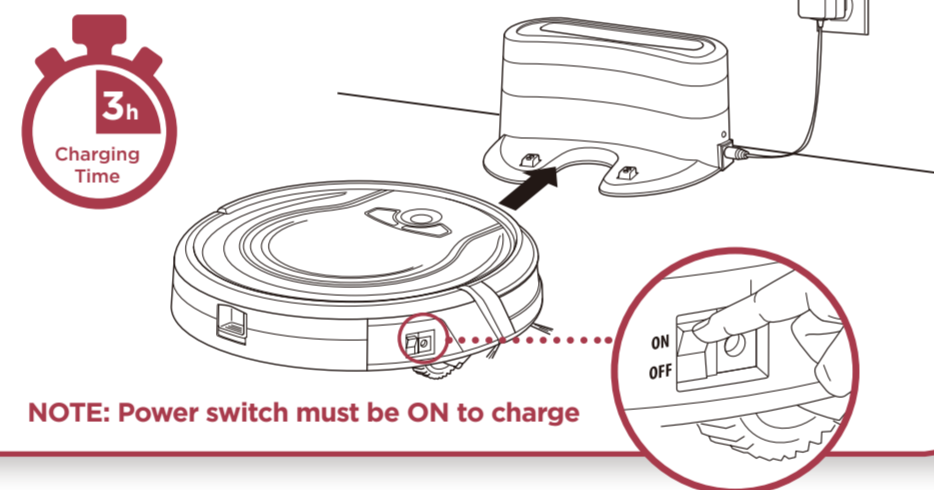


STEP 3

POWER-UP SHARK ION ROBOT

Flip the Power switch located on the side of your Shark ION ROBOT to the ON position and place your robot on the dock.

When all 3 lights are solid blue, your robot is fully charged. Simply press Clean to send your robot into action.



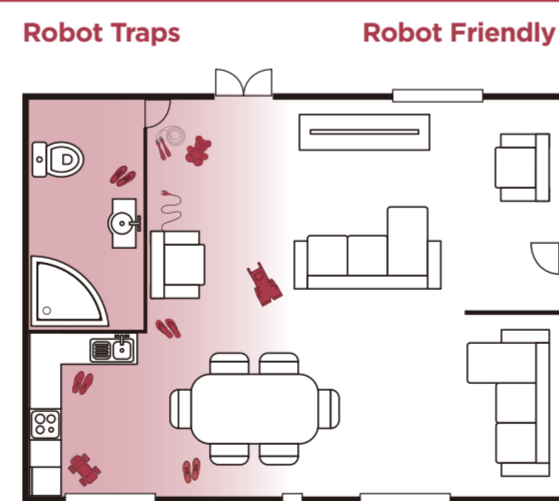
STEP 4

PREP YOUR HOME FOR CLEANING

With Smart Sensor Technology, your robot cleans all areas of your floors and navigates through tight spaces. To help your robot complete its mission, prep your floor by removing all obstacles, such as loose power cords, clothes, toys, and low-hanging drapes.

Use BotBoundary™ Strips to easily block off obstacles or areas you don't want your robot to enter.

See the **TIPS AND TRICKS FOR GREAT PERFORMANCE GUIDE** for more information.



STEP 5

DOWNLOAD THE SHARK APP

The app will guide you through easy setup of your Shark ION ROBOT. With the app, you can schedule cleaning times and control the unit remotely. The app will also provide access to:

- Tips, Tricks, and FAQs • Tech Support • Troubleshooting • Voice Control Set Up for Amazon Alexa & Google Home



Shark ION ROBOT™

EASE OF A ROBOT. PERFORMANCE OF A SHARK.™

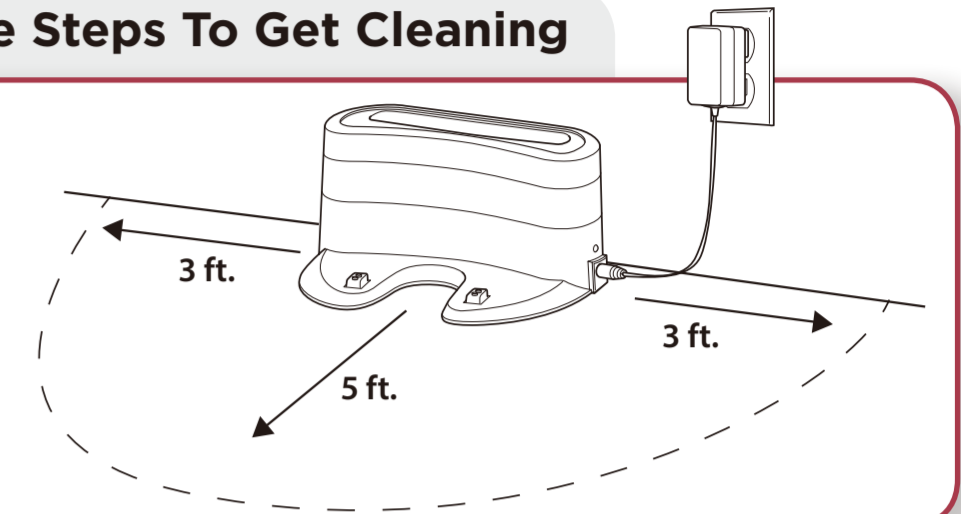
CONGRATULATIONS ON YOUR NEW SHARK ION ROBOT

Getting Started is Easy - Follow These Simple Steps To Get Cleaning

STEP 1

SET UP YOUR CHARGING DOCK:

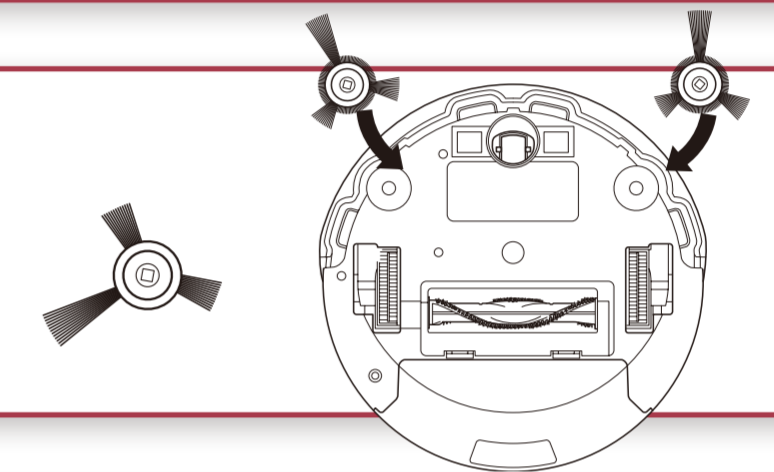
Place charging dock on a level surface with its back against a wall, in a space without obstructions, that can easily be accessed by your Shark ION ROBOT. Plug dock into a power outlet.



STEP 2

INSTALL THE SIDE BRUSHES

Flip the robot over and snap on the 2 side brushes included in the box.

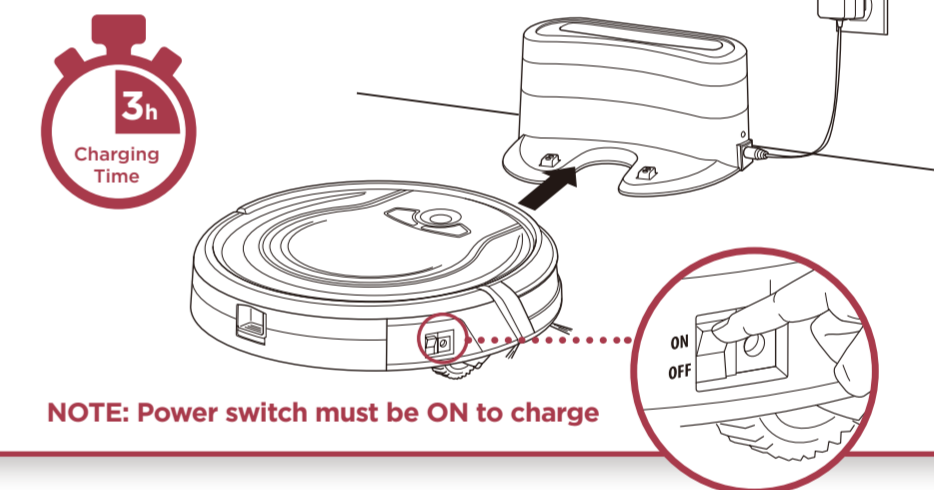


STEP 3

POWER-UP SHARK ION ROBOT

Flip the Power switch located on the side of your Shark ION ROBOT to the ON position and place your robot on the dock.

When all 3 lights are solid blue, your robot is fully charged. Simply press Clean to send your robot into action.



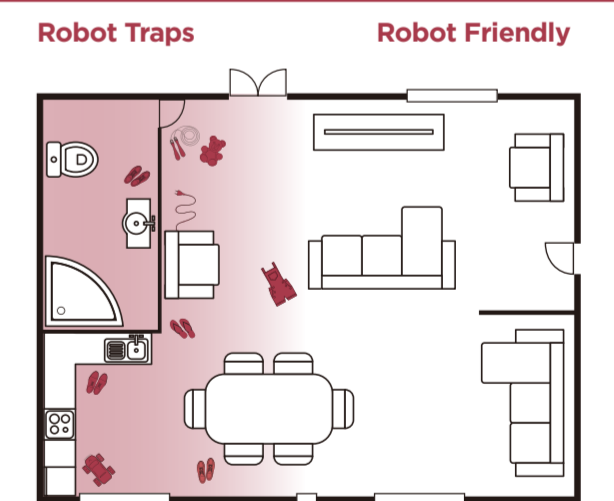
STEP 4

PREP YOUR HOME FOR CLEANING

With Smart Sensor Technology, your robot cleans all areas of your floors and navigates through tight spaces. To help your robot complete its mission, prep your floor by removing all obstacles, such as loose power cords, clothes, toys, and low-hanging drapes.

Use BotBoundary™ Strips to easily block off obstacles or areas you don't want your robot to enter.

See the **TIPS AND TRICKS FOR GREAT PERFORMANCE GUIDE** for more information.



STEP 5

DOWNLOAD THE SHARK APP

The app will guide you through easy setup of your Shark ION ROBOT. With the app, you can schedule cleaning times and control the unit remotely. The app will also provide access to:

- Tips, Tricks, and FAQs • Tech Support • Troubleshooting • Voice Control Set Up for Amazon Alexa & Google Home



For assistance, contact us at 800-798-7398 or visit us online at sharkclean.com. Please be sure to read the enclosed Shark® Owner's Guide prior to using your unit. Don't forget to register your robot at registryourshark.com

©2017 SharkNinja Operating LLC. SHARK is a registered trademark of SharkNinja Operating LLC. BOTBOUNDARY, EASE OF A ROBOT, POWER OF A SHARK, and SHARK ION ROBOT are registered trademarks of SharkNinja Operating LLC. Apple and the Apple logo are trademarks of Apple Inc., registered in the U.S. and other countries. APP STORE is a service mark of Apple Inc., registered in the U.S. and other countries. GOOGLE and the GOOGLE PLAY logo are trademarks of Google Inc.



For assistance, contact us at 800-798-7398 or visit us online at sharkclean.com. Please be sure to read the enclosed Shark® Owner's Guide prior to using your unit. Don't forget to register your robot at registryourshark.com

©2017 SharkNinja Operating LLC. SHARK is a registered trademark of SharkNinja Operating LLC. BOTBOUNDARY, EASE OF A ROBOT, POWER OF A SHARK, and SHARK ION ROBOT are registered trademarks of SharkNinja Operating LLC. Apple and the Apple logo are trademarks of Apple Inc., registered in the U.S. and other countries. APP STORE is a service mark of Apple Inc., registered in the U.S. and other countries. GOOGLE and the GOOGLE PLAY logo are trademarks of Google Inc.

