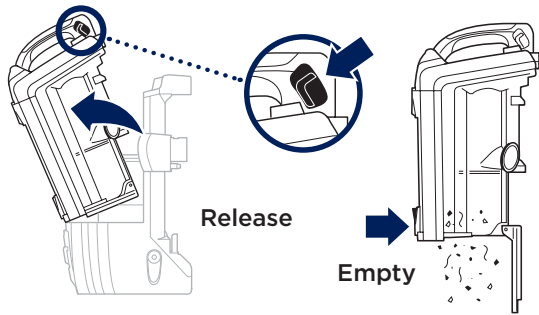


## MAINTENANCE

### Empty dust cup after each use



### Filter Maintenance

Wash filters to keep the suction strong.

Rinse filters and allow to air-dry completely. Tap loose dirt from foam filters as needed between washes.

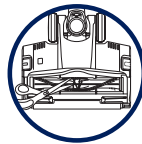
**See enclosed Owner's Guide for complete details on removing and cleaning filters.**

### Easy access to your brushrolls.

Open the brushroll garage by sliding back the release buttons. To close, insert the tabs on the lid into the slots on the nozzle, then press down both sides. If the lid isn't completely closed, the headlights will flash.

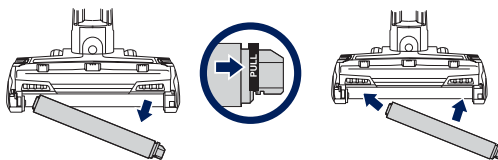
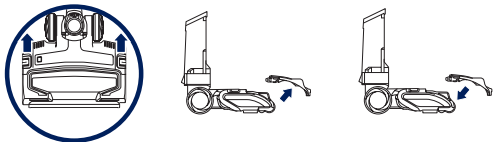
### Brushroll Maintenance

Remove any string, hair, or debris that may be wrapped around the brushroll by running scissors along the guide on the brushroll.



### Soft Roller Maintenance

Lift out the Soft Roller by pulling the tab on the right side. Clear away any debris, then slide the Soft Roller back into place.



# Shark

For questions or to register your product, contact us at  
800-798-7398 or visit us online at [sharkclean.com](http://sharkclean.com)



@sharkcleaning

©2017 SharkNinja Operating LLC. LIFT-AWAY, POWERED LIFT-AWAY, and SHARK are registered trademarks of SharkNinja Operating LLC. DUOCLEAN is a trademark of SharkNinja Operating LLC.

NV831\_CSS\_REV\_MM

Please be sure to read the enclosed Shark® Owner's Guide prior to using your unit.

duo clean™

# Shark®

## POWERED LIFT-AWAY®

## QUICK START GUIDE

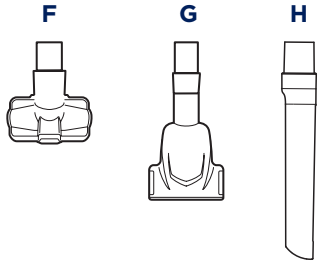
Use this Quick Start Guide to learn about your new vacuum's great features.

NV831

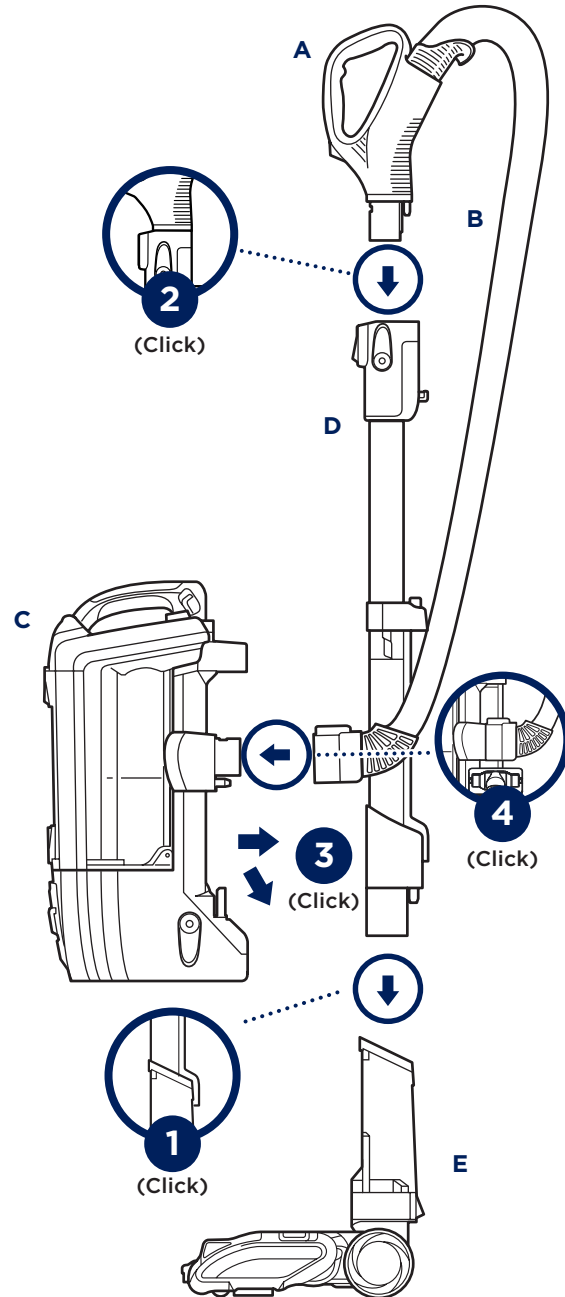


## WHAT'S INSIDE:

- A** Handle
- B** Hose
- C** Vacuum Pod
- D** Wand
- E** Motorized Floor Nozzle
- F** Pet Multi-Tool
- G** Pet Power Brush
- H** Crevice Tool



1. Insert wand into floor nozzle.
2. Insert handle into wand.
3. Place pod onto wand.  
Slide down to connect.
4. Press hose into back of pod.



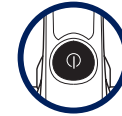
## ASSEMBLY

## VERSATILE FLOOR-TO-CEILING CLEANING

### UPRIGHT MODE

Use for carpet and hard-floor cleaning

Power Button



Floor Type



Place foot on floor nozzle and tilt handle back.  
Choose appropriate floor setting and press power button.

### LIFT-AWAY® MODE

Use for portable cleaning  
on stairs or above-floor areas



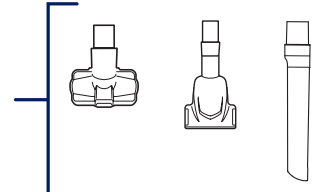
Lift-Away  
Release



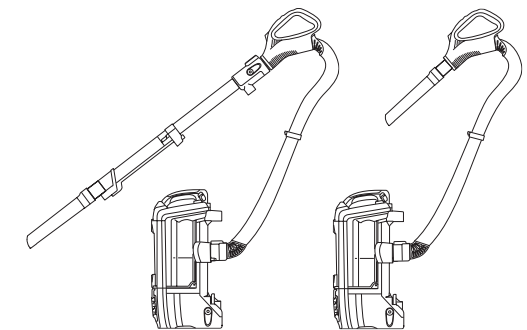
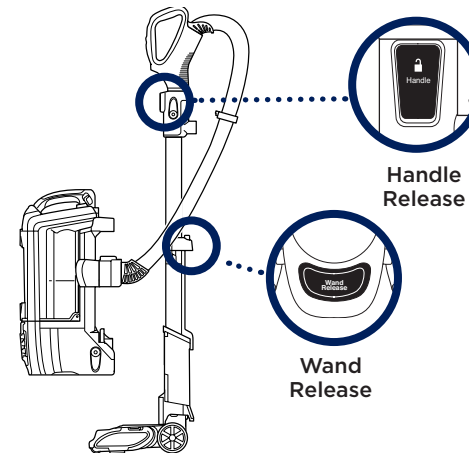
Wand  
Release

Press Lift-Away Release button to lift  
pod off floor nozzle. You are now ready  
to clean those hard-to-reach places.

Attach any of the  
specialized cleaning  
accessories to the  
handle or wand.



### ABOVE-FLOOR CLEANING IN LIFT-AWAY MODE



Attach desired cleaning accessory  
to wand or handle.

For complete instructions, see the enclosed Owner's Guide.

For additional parts and accessories, visit [sharkaccessories.com](http://sharkaccessories.com)