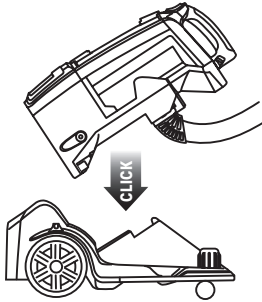


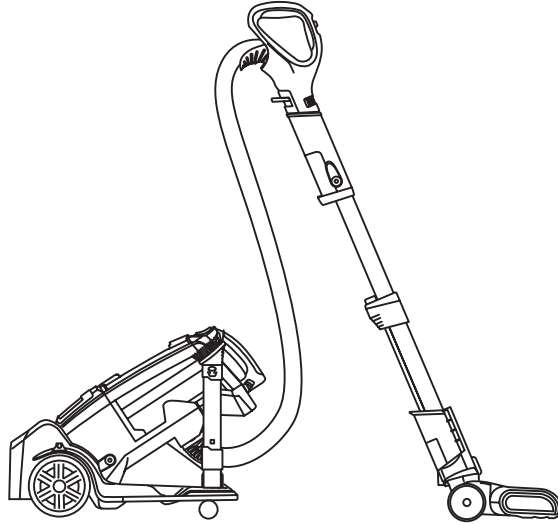
## CANISTER CLEANING

Convert your upright to a convenient canister

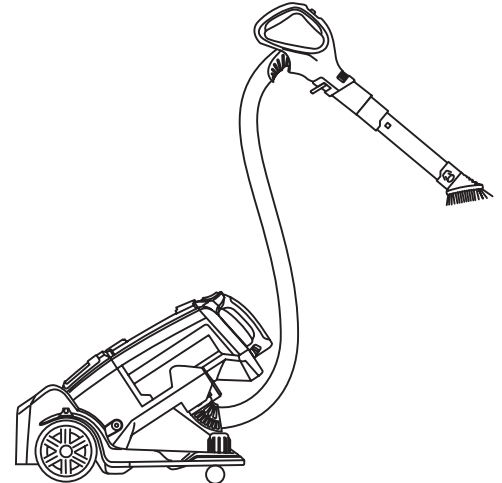
### STEP 1



### STEP 2



### STEP 3



- 1** From Lift-Away™ mode, place the pod onto the canister caddy. **2** Cleaning in POWERED Lift-Away™ mode allows you to still use the motorized floor nozzle.

**NOTE:** To release pod from canister caddy, press LIFT-AWAY and lift up.

- 3** Press the WAND RELEASE or HANDLE RELEASE button. Lift the handle up and attach preferred accessory.

**TIP:** Use the posts on the canister caddy to store additional cleaning accessories.

