

Please be sure to read the enclosed Shark® Owner's Guide prior to using your unit.

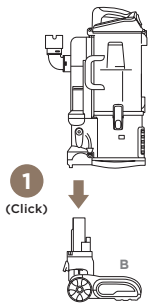
Shark NAVIGATOR™ LIFT-AWAY®

QUICK START GUIDE

WHAT'S INSIDE

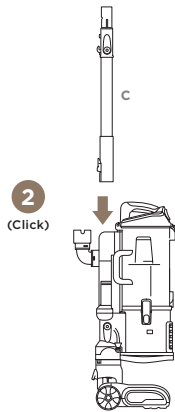
- A Handle
- B Motorized Floor Nozzle
- C Wand
- D Crevice Tool
- E Wide Upholstery Tool
- F Dusting Brush
- G Pet Power Brush
- H Multi-Angle Dusting Brush

ASSEMBLY



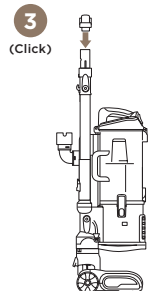
1
(Click)

Place the pod onto floor nozzle.



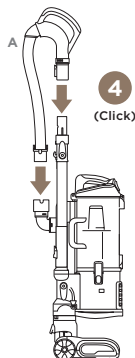
2
(Click)

Slide wand into base of pod.



3
(Click)

Slide accessory holder onto extension wand.



4
(Click)

Insert handle into top of wand, then attach hose connector on back of pod.

MAINTENANCE

Empty dust cup after each use

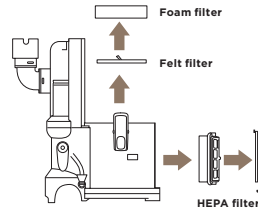


To remove the dust cup, undo the latches on the sides by lifting them up and outwards.

Hold dust cup over a trash bin and press the empty-release latch on the bottom.

Press top dust cup release latch to access dust screen and remove built-up debris as required.

Cleaning Filters



TIP:

Wash filters every 3 months to keep the suction strong.

Rinse filters and allow to air-dry completely. Tap loose dirt from foam filters as needed between washes.

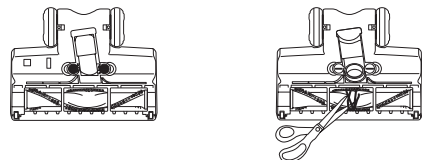
Pre-Motor (foam and felt):

With the dust cup removed, take out the foam and felt filters and rinse them with water. Tap loose dirt off filters between washes as needed.

Post-Motor (HEPA):

To access the HEPA filter, reach under the grill, pull the tab forward and pull the grill away from the vacuum. Remove and rinse the HEPA filter.

Easy brushroll maintenance

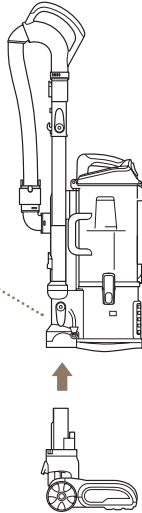


Use a coin to open the 2 locks on the bottom of the floor nozzle.

Remove any string, carpet fibers, or hair that may be wrapped around the brushroll.

USING YOUR VACUUM IN LIFT-AWAY® MODE

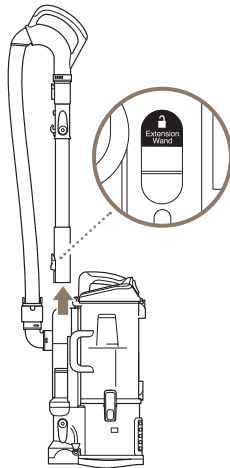
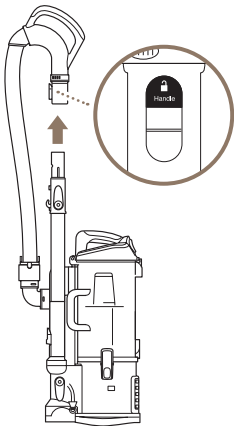
- 1** Press Floor Nozzle release button to lift pod off floor nozzle.



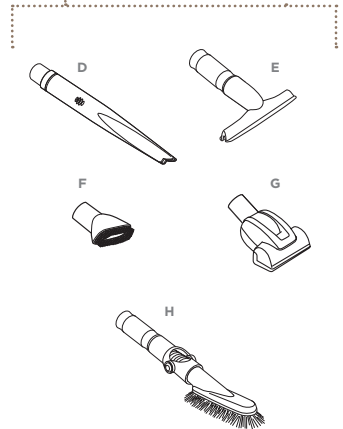
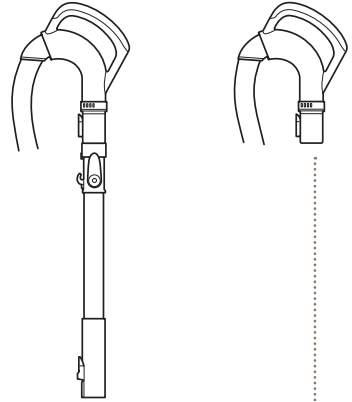
- 2** Press Handle release button when you need to clean within short reach.

OR

- 3** Press Extension Wand release button on pod when you need to clean with a longer reach.



- 4** Attach desired cleaning tool to the end of handle or wand.



WARNING:

Lift-Away mode requires stable footing. Using Lift-Away mode without stable footing may result in personal injury.

TIP:

Our Lift-Away feature allows you to remove the pod from the floor nozzle to easily clean stairs, above-floor areas with accessories, or hard floors with the hard-floor attachments.

For questions or to register your product, contact us at 800-798-7398 or visit us online at sharkclean.com



@sharkcleaning

©2017 SharkNinja Operating LLC. LIFT-AWAY and SHARK are registered trademarks of SharkNinja Operating LLC. DUST-AWAY and NAVIGATOR are trademarks of SharkNinja Operating LLC.

NV391_QSG_170807