

Shark[®]

POWERED *Lift-Away*[®]

NV800

Series

INSTRUCTIONS



sharkclean.com



1-800-798-7398

THANK YOU

for purchasing the Shark® Powered Lift-Away® Speed with DuoClean™



TIP: You can find the model number on the rating label located on the back of your unit.



TIP: You can locate the date code on one of the prongs of the power cord plug.

REGISTER YOUR PURCHASE



registeryourshark.com



1-800-798-7398

RECORD THIS INFORMATION

Model Number: _____

Date Code: _____

Date of Purchase (Keep receipt): _____

Store of Purchase: _____

TECHNICAL SPECIFICATIONS

Voltage: 120V, 60Hz

Watts: 1150W

Amps: 9.5A

PLEASE READ CAREFULLY AND KEEP FOR FUTURE REFERENCE.

This Owner's Guide is designed to help you get a complete understanding of your new Shark Powered Lift-Away Speed with DuoClean.

If you have any questions, please call the customer service line at 1-800-798-7398.

CONTENTS

Important Safety Instructions	3
Getting to Know Your Shark® Powered Lift-Away® Speed with DuoClean™	5
Assembling Your Vacuum	7
Using Your Vacuum in Upright Mode	9
What Does the Brushroll Indicator Light Mean?	9
Using Your Vacuum in Above-Floor Mode	11
Using Your Vacuum in Powered Lift-Away Mode	13
Powered Lift-Away Cleaning	13
Lift-Away® Cleaning	14
Using Your Caddy	15
Compatible Accessories	17
Maintenance	19
Emptying the Dust Cup	19
Cleaning the Filters	20
Cleaning the Brushroll	21
Cleaning the Soft Roller	22
Checking the Nozzle for Blockages	22
Troubleshooting Guide	23
Warranty	26

IMPORTANT SAFETY INSTRUCTIONS

FOR HOUSEHOLD USE ONLY

⚠ WARNING

To reduce the risk of injury, fire, electric shock, and property damage resulting from improper use of the appliance, carefully observe the following instructions. This unit contains electrical connections and moving parts that potentially present risk to the user.

THE POWER NOZZLE, WAND AND HANDLE CONTAIN ELECTRICAL CONNECTIONS WIRES:

- There are not serviceable parts.
- Do not use to vacuum any liquids.
- Do not immerse in water.
- If handle/wand is damaged, discontinue use. Do not use when damaged, cut, or punctured.
- Avoid picking up sharp objects.
- Always turn off this appliance before connecting or disconnecting either hose or motorized nozzle.

- 1** Inspect power cord and plug for any damage before use. DO NOT use vacuum cleaner with a damaged cord or plug. Turn off all controls before plugging in or unplugging the vacuum cleaner. Store your vacuum cleaner with the power cord secured around the two cord hooks.
- 2** DO NOT use outdoors or on wet surfaces. Use only on dry surfaces.
- 3** Unplug from electrical outlet when not in use and before servicing.
- 4** If vacuum cleaner is not working as it should, or has been dropped, damaged, left outdoors, or dropped into water, return it to SharkNinja Operating LLC for examination, repair, or adjustment.
- 5** DO NOT pull or carry vacuum cleaner by the cord or use the cord as a handle.
- 6** DO NOT unplug by pulling on cord. Grasp the plug, NOT the cord.

- 7** DO NOT handle plug or vacuum cleaner with wet hands.
- 8** DO NOT run the vacuum cleaner over the power cord, close a door on the cord, or pull the cord around sharp corners.
- 9** The use of an extension cord is NOT recommended.
- 10** DO NOT leave vacuum cleaner unattended when plugged in.
- 11** Keep cord away from heated surfaces.

GENERAL USE

- 12** Use only as described in this manual.
- 13** Keep your work area well lit.
- 14** Keep the vacuum cleaner moving over the carpet surface at all times to avoid damaging the carpet fibers.
- 15** DO NOT place vacuum cleaner on unstable surfaces such as chairs or tables.
- 16** DO NOT put any objects into openings. DO NOT use with any opening blocked; keep free of dust, lint, hair, and anything that may reduce airflow.
- 17** DO NOT allow the appliance to be used by children. Close supervision is necessary when used near children. This is not a toy.
- 18** DO NOT use without dust cup and/or filters in place.

DUST CUP/FILTERS/ACCESSORIES

Before turning on the vacuum:

- 19** Make sure that all filters are thoroughly dry after routine cleaning.



SAVE THESE INSTRUCTIONS

PLEASE READ CAREFULLY BEFORE USE

- 20** Make sure that dust cup and all filters are in place after routine maintenance.
- 21** Make sure accessories are free of blockages.
- 22** Only use Shark®-brand filters and accessories (failure to do so will void the warranty).

HOSE ATTACHMENTS

- 23** DO NOT use if airflow is restricted. If the air paths or the motorized floor nozzle become blocked, turn the vacuum cleaner off and unplug from electrical outlet. Remove all obstructions before you turn on the unit again.
- 24** Keep the end of the hose and accessory openings away from face and body.
- 25** Keep cleaning tools and hose suction openings away from hair, face, fingers, uncovered feet, or loose clothing.
- 26** Only use manufacturer's recommended attachments.

GENERAL CLEANING

- 27** DO NOT vacuum up large objects.
- 28** DO NOT vacuum up hard or sharp objects such as glass, nails, screws, or coins that could damage the vacuum cleaner.
- 29** DO NOT vacuum up drywall dust, fireplace ash, or embers. DO NOT use as an attachment to power tools for dust collection.

- 30** DO NOT vacuum up smoking or burning objects such as hot coals, cigarette butts, or matches.
- 31** DO NOT vacuum up flammable or combustible materials (e.g., lighter fluid, gasoline, or kerosene) or use vacuum in areas where they may be present.
- 32** DO NOT vacuum up toxic solutions (e.g., chlorine bleach, ammonia, or drain cleaner).
- 33** DO NOT use in an enclosed space where vapors are present from paint, paint thinner, moth-proofing substances, flammable dust, or other explosive or toxic materials.
- 34** DO NOT vacuum up any liquids.
- 35** DO NOT immerse vacuum cleaner in water or other liquids.
- 36** Use extra care when cleaning on stairs.

POLARIZED PLUG

To reduce the risk of electric shock, this vacuum cleaner has a polarized plug (one blade is wider than the other). As a safety feature, this plug will fit into a polarized outlet only one way. If the plug does not fit fully into the outlet, reverse the plug. If it still does not fit, contact a qualified electrician. DO NOT force into outlet or try to modify to fit.



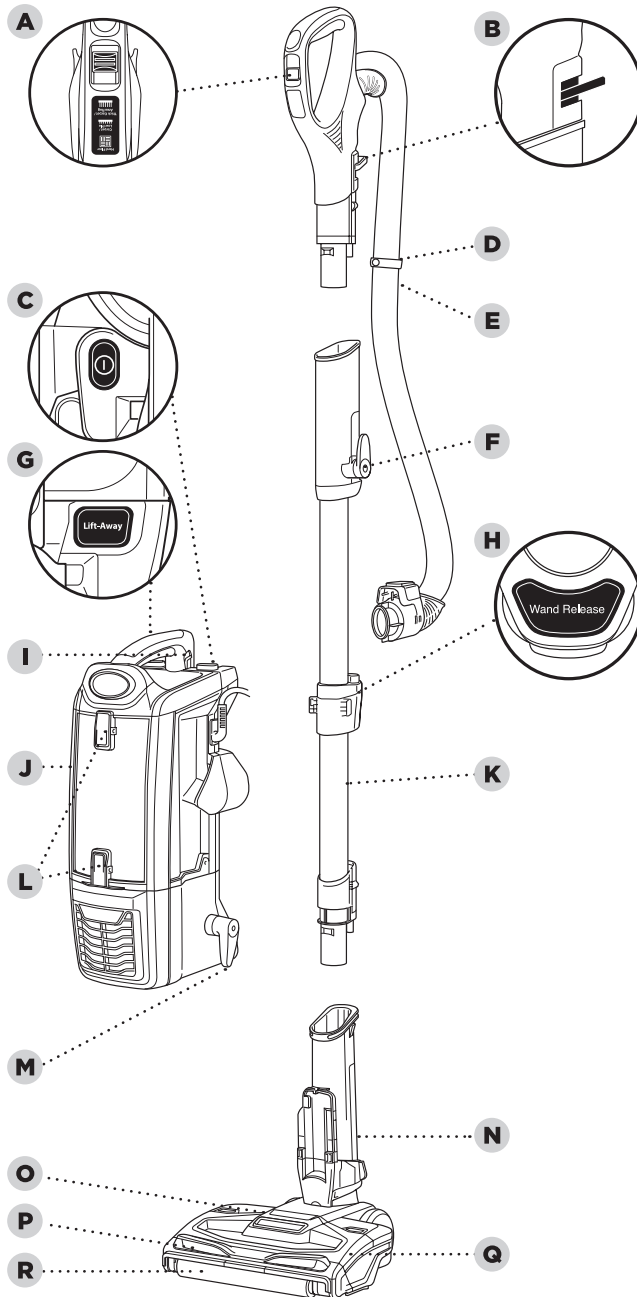
GETTING TO KNOW YOUR SHARK® POWERED LIFT-AWAY® SPEED WITH DUOCLEAN™

WELCOME!


Congratulations on your purchase. Use this instruction manual to learn about your new vacuum's great features. From assembly to use to maintenance, you will find it all in here.

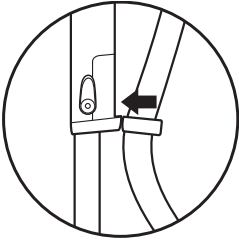
MAIN UNIT


- A** Surface Selector
- B** Handle Release Button
- C** Power Switch
- D** Hose Clip
- E** Hose
- F** Upper Cord Hook
- G** Lift-Away Button
- H** Wand Release Button
- I** Dust-Cup Release Latch
- J** Lift-Away® Pod
- K** Wand
- L** Dust-Cup Empty Latches
- M** Lower Cord Hook
- N** Motorized Floor Nozzle
- O** Brushroll Indicator Light
- P** Headlights
- Q** Brushroll Garage
- R** Soft Roller

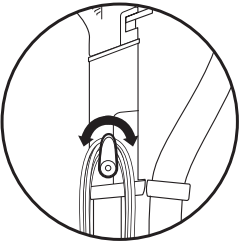



ASSEMBLING YOUR VACUUM

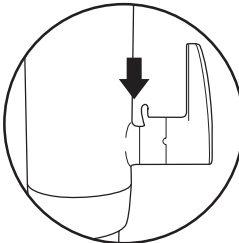
 **TIP:** Push hose clip into back of wand for convenience.



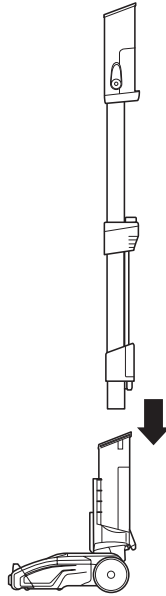
 **TIP:** For quick cord access, rotate upper hook down and remove cord.



 **TIP:** Use cord clip located on the side of wand to hold cord in place while vacuuming.

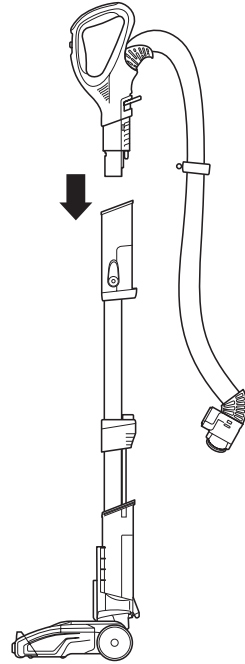


STEP 1



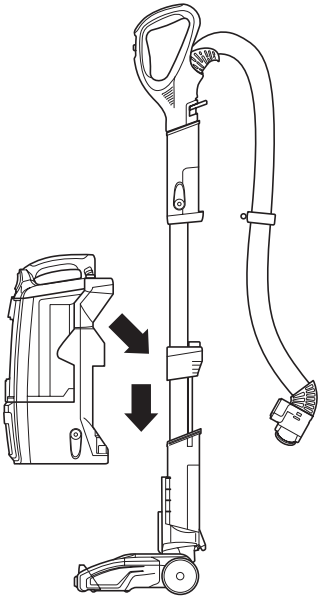
1 Place motorized floor nozzle on floor and insert wand.

STEP 2

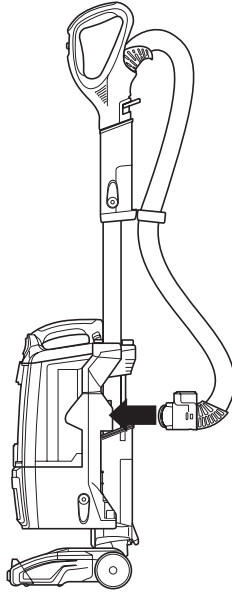


2 Insert handle into wand.

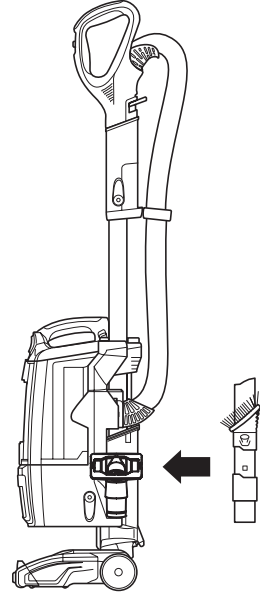
STEP 3



STEP 4



STEP 5



3 Place pod onto wand and slide down to connect.

4 Connect hose into back of pod until you hear a click.

5 Store included accessories on the accessory posts on the pod.

USING YOUR VACUUM IN UPRIGHT MODE

⚠ WARNING: DO NOT use to vacuum up drywall dust, fireplace ash, or embers. DO NOT use as an attachment to power tools for dust collection.

WHAT DOES THE BRUSHROLL INDICATOR LIGHT MEAN?

Solid Green

The brushrolls are on and working as they should.

Solid Red

There is a jam in the brushroll and/or soft roller area. Turn your vacuum off and remove any blockages.

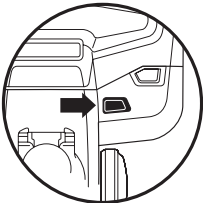
Flashing Red*

The motorized floor nozzle is overheating. Turn your vacuum off and wait for it to cool down.

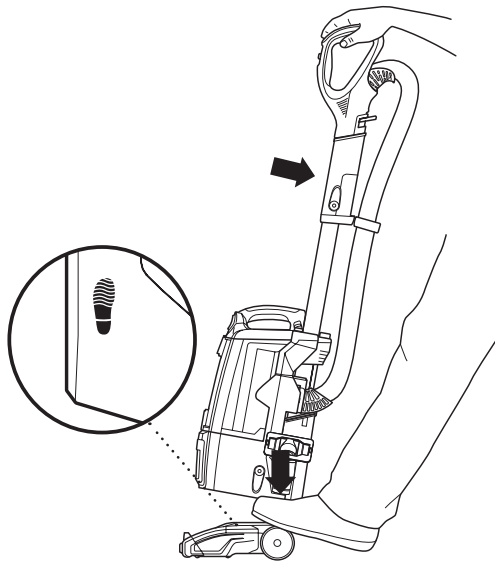
No Light

The brushrolls are off because the vacuum is off.

*See Troubleshooting section for further instructions.

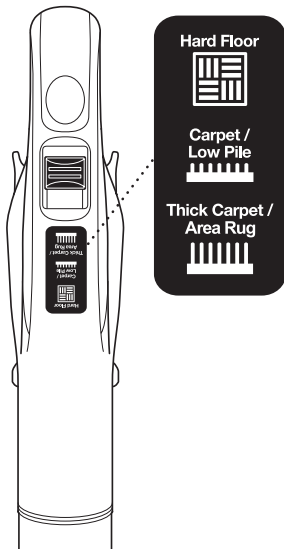


STEP 1

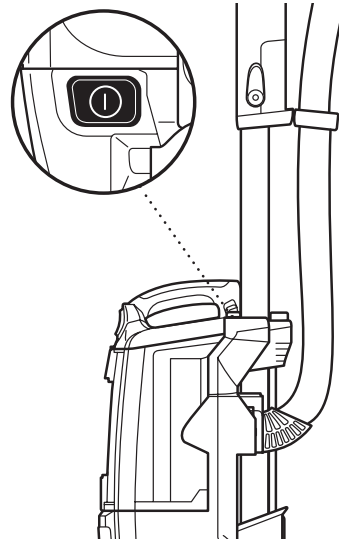


- 1 Plug power cord into outlet. Place foot on floor nozzle and tilt handle back.

STEP 2



STEP 3



- 2** Choose the appropriate setting.

Thick Carpet & Area Rug Cleaning

Set floor selector to Thick Carpet & Area Rug.

Carpet & Low Pile Cleaning

Set floor selector to Carpet/Low Pile. Increases the speed of your brushrolls and can be used to help remove stuck-on dust and debris.

Hard Floor Cleaning

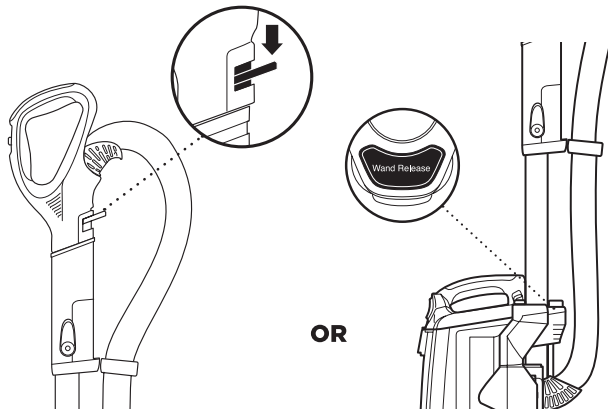
Set floor selector to Hard Floor.

NOTE: For deep cleaning per ASTM F 608 (embedded dirt in carpets) please set to Carpet/Low Pile.

- 3** Press power button to turn vacuum on to start cleaning. Please note the brushrolls will not spin unless the wand is reclined.

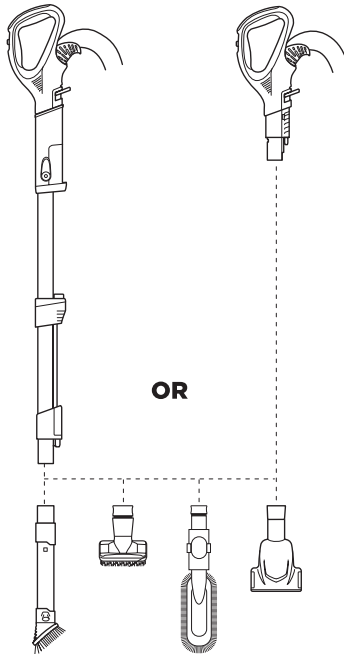
USING YOUR VACUUM IN ABOVE-FLOOR MODE

STEP 1



- 1** Press the Handle Release button when you need to clean within short reach. **OR** Press the Wand Release button when you need to clean with a longer reach.

STEP 2



2 Insert desired tool directly onto wand or handle.

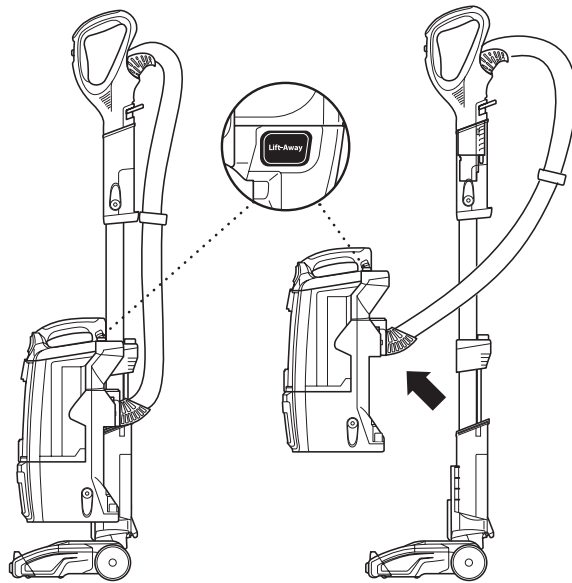
USING YOUR VACUUM IN POWERED LIFT-AWAY® MODE

⚠ WARNING: Ensure solid footing when using in Lift-Away® mode.

Using when you don't have stable footing may result in personal injury.

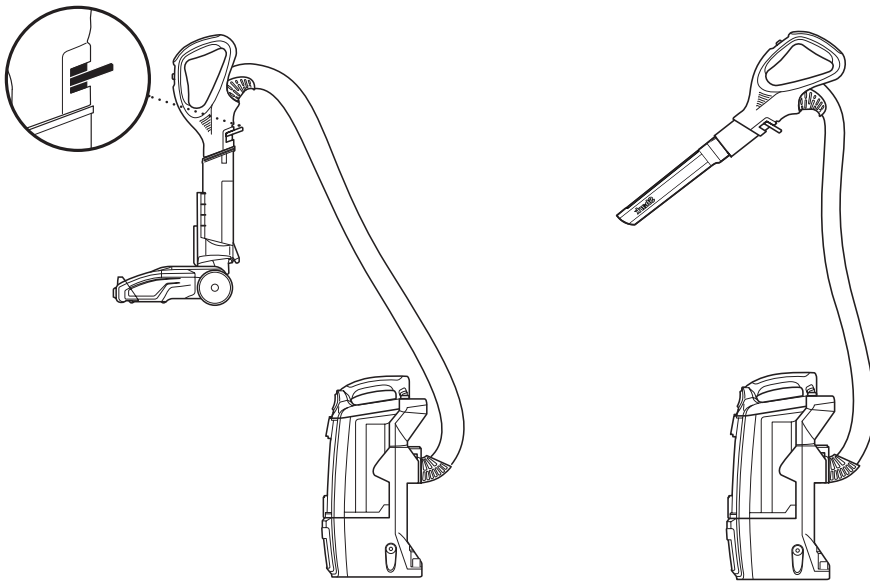
WHAT IS POWERED LIFT-AWAY?

Our Powered Lift-Away feature allows you to remove the pod from the nozzle while maintaining the same power you have in upright mode. This is great for cleaning stairs, under furniture, and in other tight spaces.



POWERED LIFT-AWAY CLEANING

- 1 Press Lift-Away button to lift pod off floor nozzle. You are now ready to clean those hard-to-reach places.




LIFT-AWAY[®] CLEANING


- 1** Attach desired accessory directly into handle. You can also attach the accessory to the wand for extended reach.
- 2** For a convenient way to clean stairs, insert handle into motorized floor nozzle.

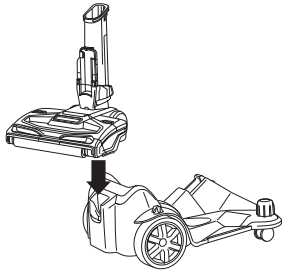
USING YOUR CADDY


If your vacuum comes with a caddy, use these instructions.

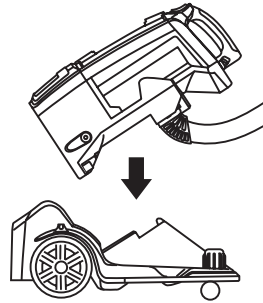
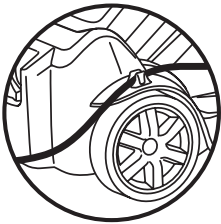
To purchase a caddy, go to sharkaccessories.com

 **TIP:** Use the posts on the caddy to store additional cleaning accessories.

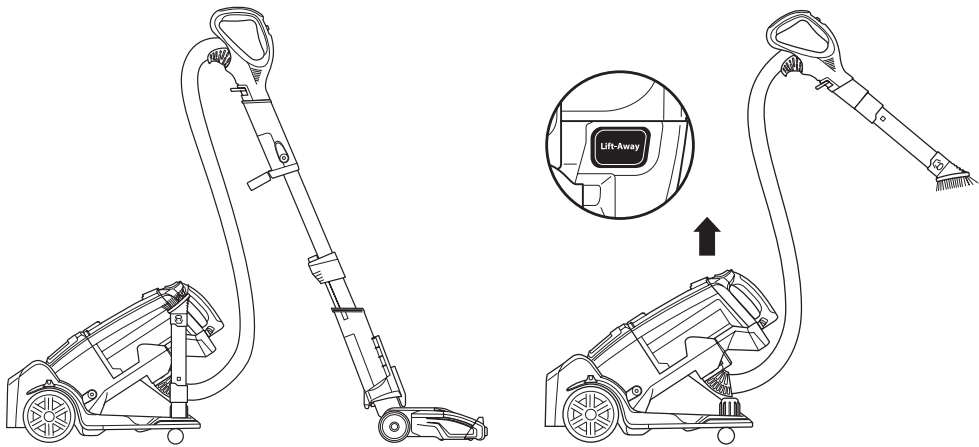
 **TIP:** You can store the nozzle on the back of the caddy.



 **TIP:** There is a cord clip on the caddy to help with cord management.



- 1 From Lift-Away® mode, place pod onto caddy.



- 2** Cleaning in Powered Lift-Away® mode allows you to still use the motorized floor nozzle.
- 3** To clean above-floor areas, press the Wand Release or Handle Release button. Lift up and attach preferred accessory.

REMOVING POD FROM CADDY

When you are done cleaning with your caddy, press Lift-Away® button and lift pod up.

COMPATIBLE ACCESSORIES

There are a variety of accessories that are compatible with this vacuum series.

The top flap of your box shows the select accessories that are included with your model.

To purchase additional accessories, go to sharkaccessories.com

A Mini Motorized Brush

Picks up pet hair and loose debris, and powerfully deep cleans dander out of upholstery and other surfaces.

C Multi-Angle Dusting Brush

Multiple positions for cleaning shelves, blinds, walls, and ceiling fans. Adjust the angle of the brush to the desired cleaning surface.

E Caddy

Transforms your upright vacuum into a canister vacuum, giving you the freedom to roll the pod along while keeping cleaning tools close by.

G 18" Flexi Crevice Tool

Extend and flex to access corners, baseboards, tight spaces or ceilings. The rubberized tip prevents scratches on surfaces.

B Pet Power Brush

Designed to remove pet hair and ground-in dirt from carpeted stairs and upholstery.

D Duster Crevice

Two cleaning tools in one—the crevice tool gives you extended cleaning reach for small spaces, while the soft dusting brush cleans a multitude of surfaces.

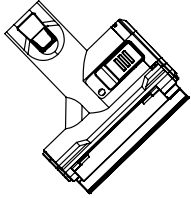
F Pet Multi-Tool

Two tools for cleaning tough pet messes: first, a stiff bristle brush for cleaning stuck-on debris. Then remove the bristles to reveal an upholstery tool for removing stubborn pet hair.

H Under Appliance Wand

Clean under and behind large appliances and furniture. The extension piece can be removed and flipped over to clean the underside of appliances.

A



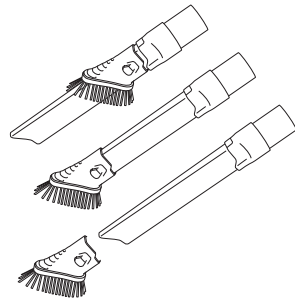
B



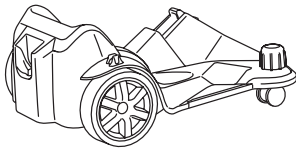
C



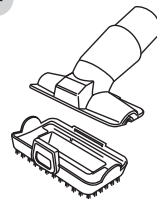
D



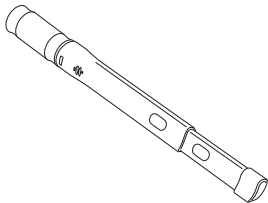
E



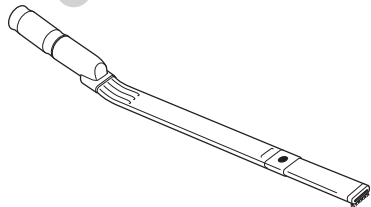
F



G



H



MAINTENANCE

To keep your vacuum's suction power optimal, follow these instructions. Make sure unit is off and cord is unplugged.

⚠ WARNING: To reduce the risk of shock and unintended operation, turn power off and unplug unit before servicing.

⚠ Hand wash with water only to prevent damage from cleaning chemicals. Allow ALL filters to dry completely before replacing in the vacuum to prevent liquid from being drawn into electric parts.

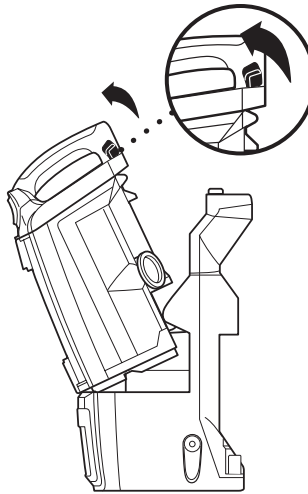
★ IMPORTANT: Do not use soap when cleaning the HEPA filter.

RECOMMENDED FILTER CLEANING SCHEDULE:

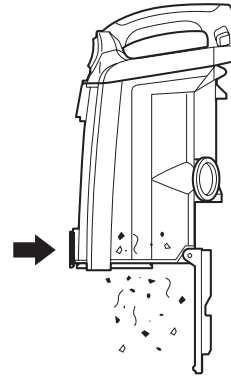
Pre-Motor Filter Kit
(Foam & Felt)
XFF680
Clean every 3 months.

Post-Motor Filter
(HEPA)
XHF680
Clean once a year.

STEP 1



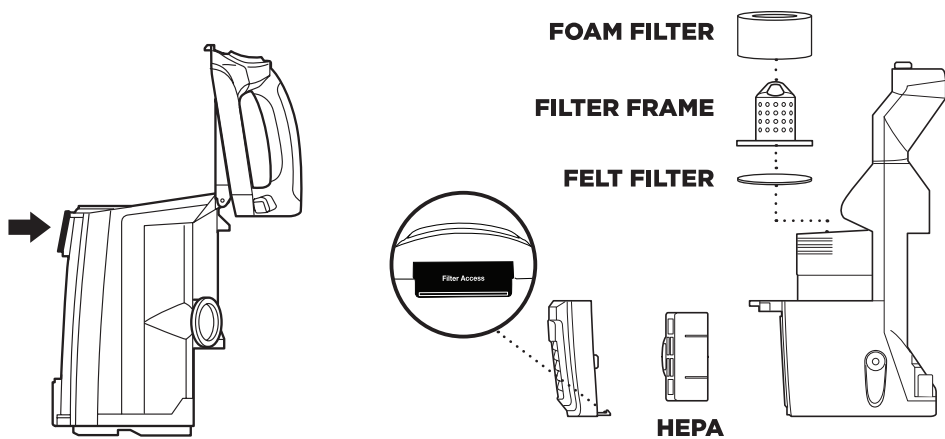
STEP 2



EMPTYING THE DUST CUP

- 1 Pull up on dust-cup release latch and lift dust cup off pod.
- 2 Hold dust cup over a trash bin and press the latch on the bottom of the dust cup to empty it.

STEP 3



CLEANING THE FILTERS

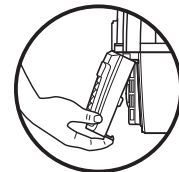
3 Press top dust-cup empty latch to access dust screen and remove built-up debris as required.

1 Pre-Motor (foam and felt):

With the dust cup removed, take out the foam and felt filters, and rinse with water. Tap loose dirt off filters between washes as needed.

2 Post-Motor (HEPA):

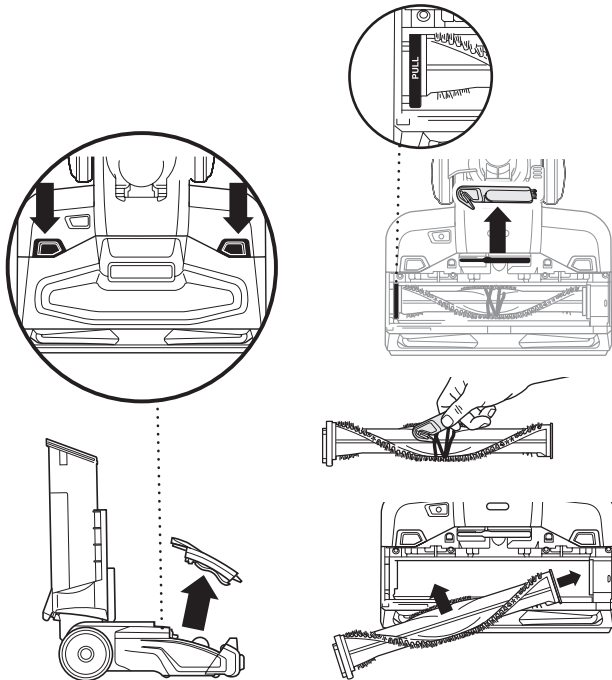
To access the HEPA filter, reach under the grill, press the button, and pull the grill away from the vacuum. Remove and rinse the HEPA filter.



MAINTENANCE - CONT.

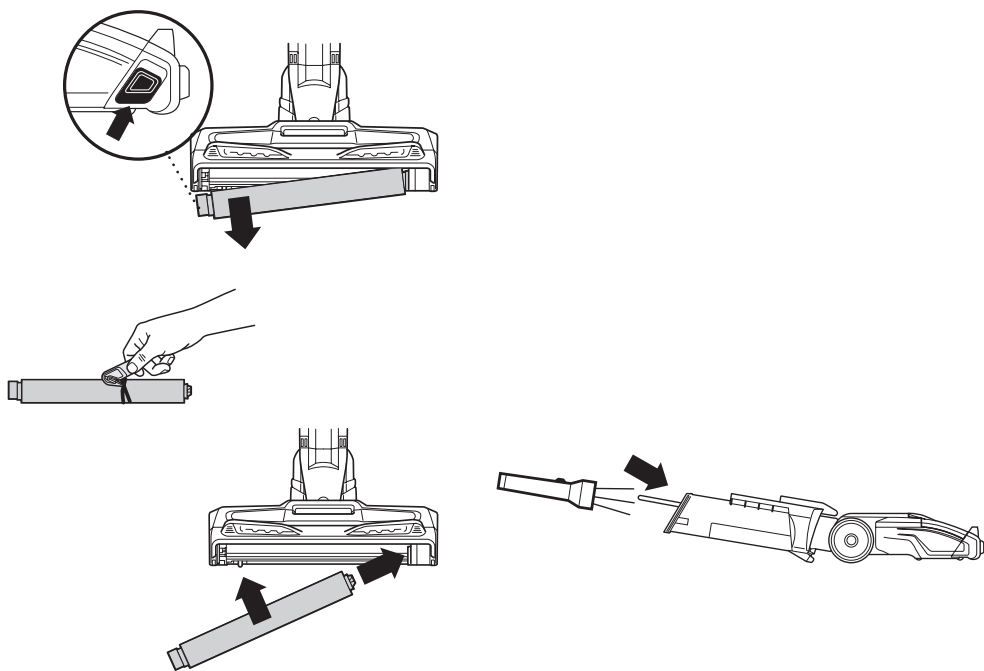
⚠ WARNING: To reduce the risk of shock and unintended operation, turn power off and unplug unit before servicing.

💡 TIP: You can also check for blockages in the hose and tubes. Just remove the floor nozzle, dust cup, and hose and shine a flashlight in the openings.



CLEANING THE BRUSHROLL

- 1** Press down on the two buttons on the floor nozzle to pop up the brushroll garage lid.
- 2** Lift the brushroll out by the tab on the left side. To remove any string, hair or debris that may be wrapped around the brushroll, use the onboard hair removal tool. The tool is located in a compartment on the nozzle, above the brushroll.
- 3** To reinstall the brushroll, return it to the brushroll garage. Press down on the brushroll garage lid until it clicks into place.



SOFT ROLLER

- 1** Slide the Soft Roller access button up to remove the Soft Roller.
- 2** Use the onboard hair removal tool to remove any string, carpet fibers or hair that may be wrapped around the Soft Roller. The tool is located in a compartment on the nozzle, above the brushroll. You can also tap loose debris off the Soft Roller, or wipe it clean with a dry towel. If you see any fibers or hair buildup in the teeth behind the Soft Roller, take a dry towel and wipe it away.
- 3** Wash the Soft Roller as needed. Use only water, and let air-dry completely for at least 24 hours.

- 4** Reinsert the Soft Roller by sliding it into the front of the nozzle until it clicks into place.

CHECKING THE NOZZLE FOR BLOCKAGES

- 1** Tilt neck of nozzle back to straighten the airway. To clear a blockage, insert a long object such as a wooden spoon into the nozzle connector.

TROUBLESHOOTING GUIDE

⚠ WARNING: To reduce the risk of shock and unintended operation, turn power off and unplug unit before servicing.

Vacuum is not picking up debris. No suction or light suction.
(Refer to Maintenance section for more information.)

- Check filters to see if they need cleaning. Follow instructions for rinsing and drying the filters before reinserting in the vacuum.
- Dust cup may be full; empty dust cup.
- Check hose, hose connections, nozzle, and accessories for blockages; clear blockages if required.
- Remove any string, carpet fibers, or hair that may be wrapped around the brushrolls.

Vacuum lifts area rugs.

- Turn off unit to disengage the brushrolls. Move switch to Hard Floor setting to turn on the slow brushrolls, which is optimal for bare floors and area rugs.
- Suction is powerful. Take care when vacuuming area rugs or rugs with delicately sewn edges.

Brushroll/Soft Roller does not spin.

- If Brushroll Indicator Light on the floor nozzle turns red, the brushroll and/or Soft Roller have stopped spinning. Immediately turn off and unplug vacuum. Disconnect the nozzle and remove blockage, then reconnect and turn vacuum back on.
- With the power on, recline the handle, which will automatically turn on the brushrolls.

Vacuum turns off on its own or Brushroll Indicator Light flashes red.

- This vacuum is equipped with a motor-protective thermostat. If your vacuum overheats, the thermostat will automatically turn the suction motor off. Perform the following steps to restart the thermostat:
 1. Turn vacuum off and unplug it.
 2. Empty dust cup and clean filters (see Maintenance section).
 3. Check for blockages in hose, accessories, and inlet openings.
 4. Allow unit to cool for a minimum of 45 minutes.
 5. Plug in vacuum and turn it on.
- If hose is not fully connected to the pod, it can cause a poor electrical connection and the hose can come loose, turning the vacuum off.
 1. Turn vacuum off and unplug it.
 2. Empty dust cup and clean filters.
 3. Check for blockages in hose, accessories, and inlet openings.
 4. Remove cord from cord hook so hose latch can be seen and engaged.
 5. Ensure you hear an audible click at all connection points:
 - a. Where hose meets back of pod (may require additional force; pull on hose to ensure latch is fully engaged)
 - b. Where wand plugs into floor nozzle
 - c. Where handle plugs into wand
 6. Plug in vacuum and turn it on.

Note: If vacuum still does not start, contact Customer Service at 1-800-798-7398.

Shark NINJA SEVEN (7) YEAR LIMITED WARRANTY

The 7-Year Limited Warranty applies to purchases made from authorized retailers of **SharkNinja Operating LLC**. Warranty coverage applies to the original owner and to the original product only and is not transferable.

SharkNinja warrants that the unit shall be free from defects in material and workmanship for a period of 7 years from the date of purchase when it is used under normal household conditions and maintained according to the requirements outlined in this instruction manual, subject to the following conditions and exclusions.

What is covered in my warranty?

1. The original unit and/or non-wearable components deemed defective, in SharkNinja's sole discretion, will be repaired or replaced for up to 7 years from the original purchase date.
2. In the rare event that a replacement unit is issued, the warranty coverage ends six months following the receipt date of the replacement unit or the remainder of the existing warranty, whichever is greater. If the unit is replaced, SharkNinja reserves the right to replace the unit with one of equal or greater value.

What is not covered in my warranty?

Our Customer Care/Product Specialists are available to provide all the warranty service options available to you, including the possibility of upgrading to our VIP Warranty Service Options for select product categories.

1. Normal wear and tear of wearable parts such as foam filters, HEPA filters, pads etc., which require regular maintenance and/or replacement to ensure the proper functioning of your unit are not covered by this warranty.
2. Any unit that has been tampered with or used for commercial purposes.
3. SharkNinja will cover the cost for the customer to send in the unit to us for repair or replacement. A fee of \$19.95 for return shipping costs will be charged at the time of return shipment of the repaired or replacement unit.
4. Damage caused by misuse, abuse, or negligent handling, or damage due to mishandling in transit.
5. Consequential and incidental damages.
6. Defects caused by or resulting from damages from shipping or from repairs, service, or alteration to the product or any of its parts which have been performed by a repair person not authorized by SharkNinja.
7. Products purchased, used or operated outside of North America.

Problems with your unit/How to get service

If your appliance fails to operate properly while in use under normal household conditions within the warranty period, visit sharkclean.com for product care/maintenance self-help. Our customer care and product specialists are also available at 1-800-798-7398 to assist with product support and warranty service options.

How to initiate a warranty claim

You can call 1-800-798-7398 to have a customer care specialist assist you. Please note you must call 1-800-798-7398 to initiate a warranty claim. Return and Packing Instruction information will be provided at that time.

For Customer Care hours, visit sharkclean.com

Replacement parts are available for purchase at sharkclean.com. For more information on what are classified as wearable and non-wearable parts, please visit sharkwarranty.com.

This warranty gives you specific legal rights, and you also may have other rights that vary from state to state.

Some states do not permit the exclusion or limitation of incidental or consequential damages, so the above may not apply to you.



SharkNinja Operating LLC
US: Newton, MA 02459
CAN: Ville St-Laurent, QC H4S 1A7
1-800-798-7398
sharkclean.com

Illustrations may differ from actual product. We are constantly striving to improve our products, therefore the specifications contained herein are subject to change without notice.

Shark, Lift-Away and Powered Lift-Away are registered trademarks of SharkNinja Operating LLC.

DuoClean is a trademark of SharkNinja Operating LLC.

For SharkNinja U.S. Patent information visit sharkninja.com/USPatents

© 2017 SharkNinja Operating LLC
NV800_Series_IB_E_170110
PRINTED IN CHINA



@sharkcleaning