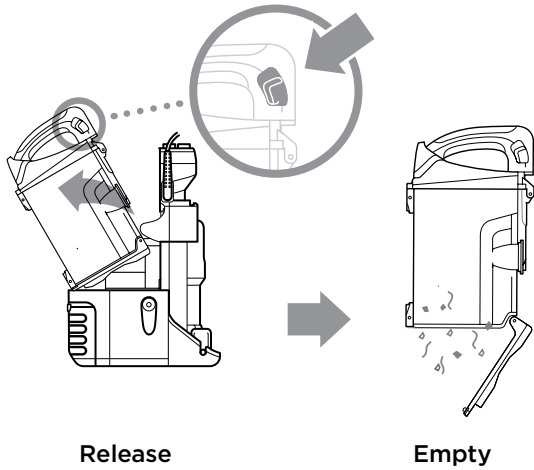


## MAINTENANCE

### Empty dust cup after each use

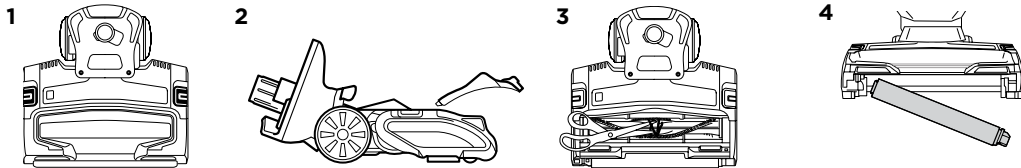


#### TIP:

Wash filters every 3 months to keep the suction strong. See Owner's Guide for instructions.

### Easy brushroll access

To open garage, slide back both access buttons, then lift off garage lid. Lift out Soft Roller by the PULL tab. Clear debris from Soft Roller and brushroll.



To close, insert the tabs on the lid into the slots, then press down on both sides of the lid until it clicks into place. Both sides must be completely closed for vacuum to operate properly.

# Shark

To register your product, or for answers to frequently asked questions, visit [registeryourshark.com](http://registeryourshark.com).



@sharkcleaning

©2019 SharkNinja Operating LLC. SHARK is a registered trademark of SharkNinja Operating LLC. LIFT-AWAY SPEED is a trademark of SharkNinja Operating LLC.  
NV771Q\_Series\_QSG\_MP\_Mv1

Please be sure to read the enclosed Shark® Owner's Guide prior to using your unit.

# Shark

## LIFT-AWAY SPEED™

NV771Q Series

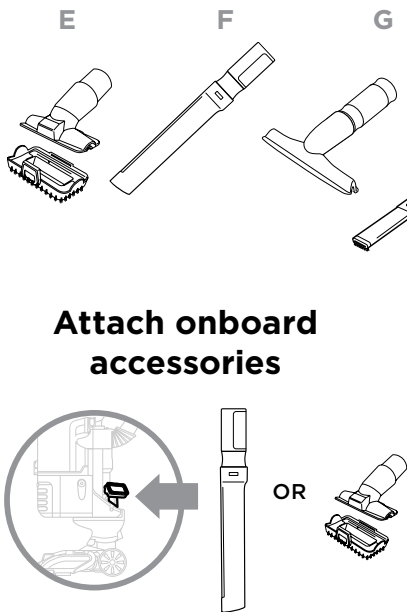
## QUICK START GUIDE

Use this Quick Start Guide to learn about your new vacuum's great features.



## WHAT'S INSIDE:

- A Vacuum Pod
- B Motorized Floor Nozzle
- C Handle & Hose
- D Wand
- E Pet Multi-Tool
- F 12" Crevice Tool
- G Wide Upholstery Tool
- H Under Appliance Wand

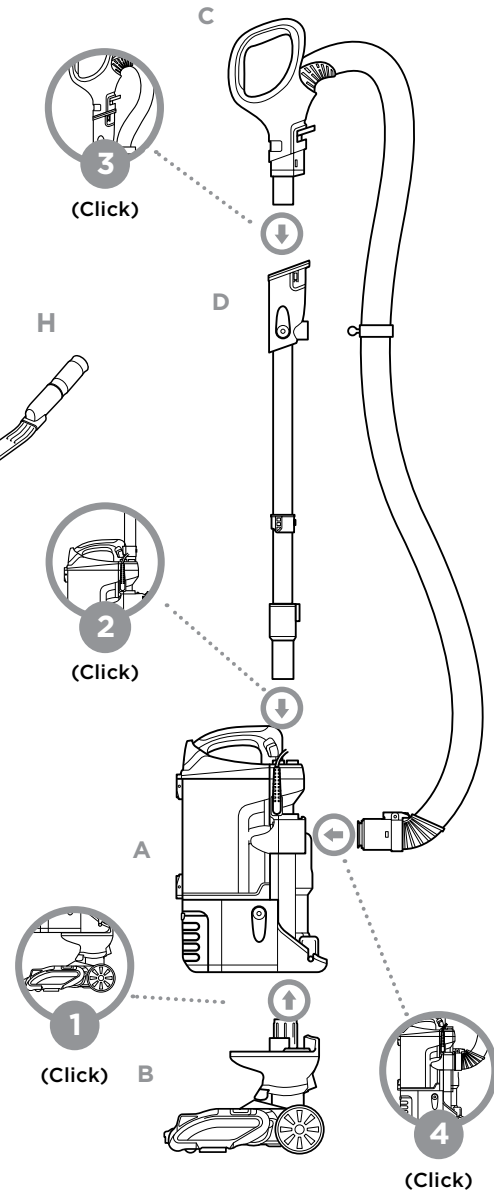


For complete maintenance instructions, see the enclosed **Owner's Guide**.

For additional parts and accessories, visit [sharkaccessories.com](http://sharkaccessories.com)

## ASSEMBLY

1. Attach vacuum pod to floor nozzle.
2. Insert wand into pod.
3. Insert handle and hose into wand.
4. Press hose into back of pod.



## 2 WAYS TO CLEAN:

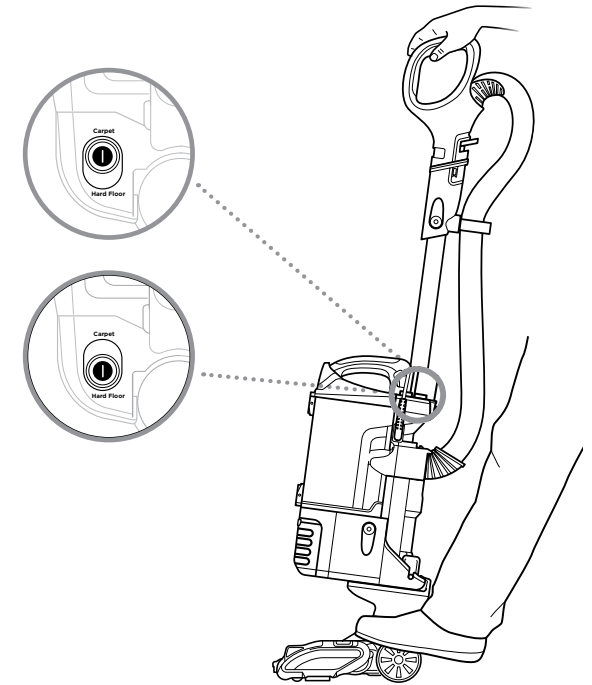
### 1 UPRIGHT

#### Power

Press the Power/Surface Selector button to turn the vacuum on or off.

#### Floor Setting

Slide the Power/Surface Selector button up or down to choose floor type.



### 2 LIFT-AWAY

