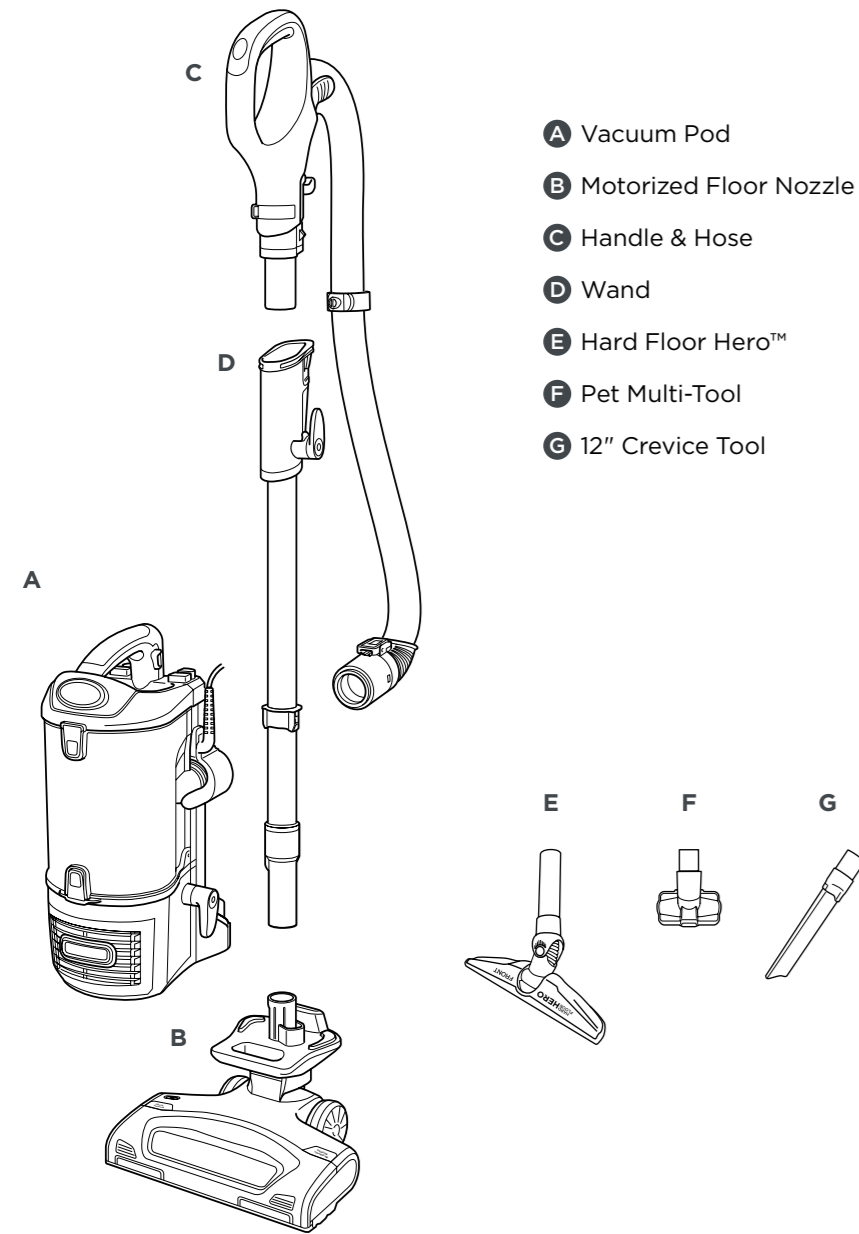
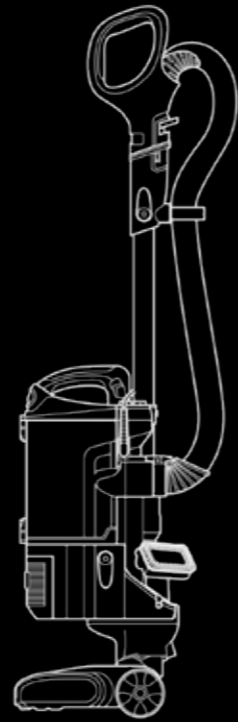


WHAT'S INSIDE:



For additional parts and accessories, visit sharkaccessories.com



Shark

For questions or to register your product, contact us at 800-798-7398 or visit us online at registeryourshark.com



@sharkcleaning

©2016 SharkNinja Operating LLC. SHARK, ROTATOR, and LIFT-AWAY are registered trademarks of SharkNinja Operating LLC. HARD FLOOR HERO and JOIN THE CLEAN EVOLUTION are trademarks of SharkNinja Operating LLC.

NV601_160623

Please be sure to read the enclosed Owner's Guide prior to using your unit.

Shark

ROTATOR

NV601

QUICK START GUIDE

Use this Quick Start Guide to learn about your new vacuum's great features.



Join The Clean Evolution.™

When it comes to cleaning, we're not afraid to get our hands dirty. At Shark®, we're constantly working to evolve and innovate products to meet the needs of people like you. Because our job is to make 5-star-worthy products that make your life a whole lot easier.

HAVING TROUBLE?

ISSUE

Vacuum is not picking up debris. No suction or light suction.

Solution

Empty dust cup, clean filters, check all openings for blockages, and clean brushroll.

ISSUE

Vacuum lifts area rugs.

Solution

Slide the POWER button to the Hard Floor setting to turn off the brushroll. Adjust Suction Control on handle to minimize suction.

ISSUE

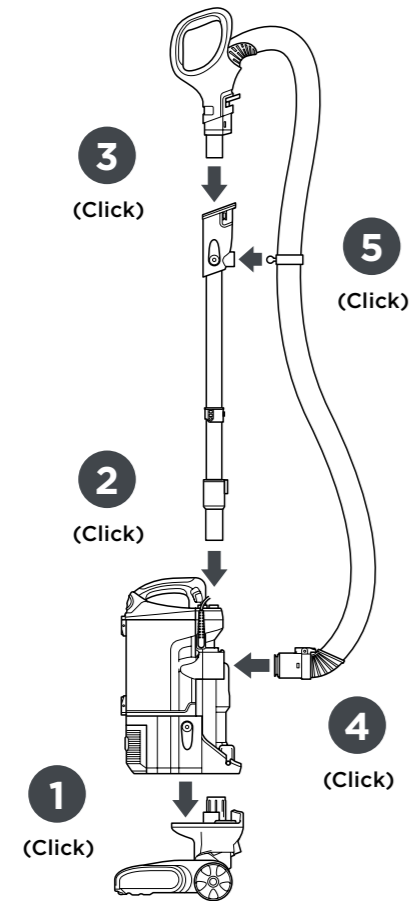
Brushroll does not spin. The Brushroll Indicator Light is red.

Solution

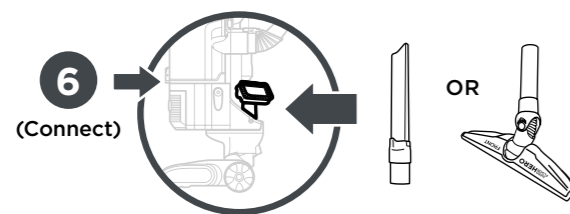
Turn off and unplug the vacuum. Remove any blockages, then reconnect and turn vacuum back on.

ASSEMBLE

Assemble vacuum



Attach onboard accessories



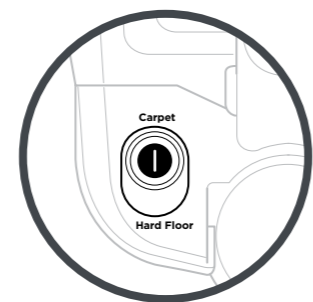
2 WAYS TO CLEAN:

1 UPRIGHT



Power

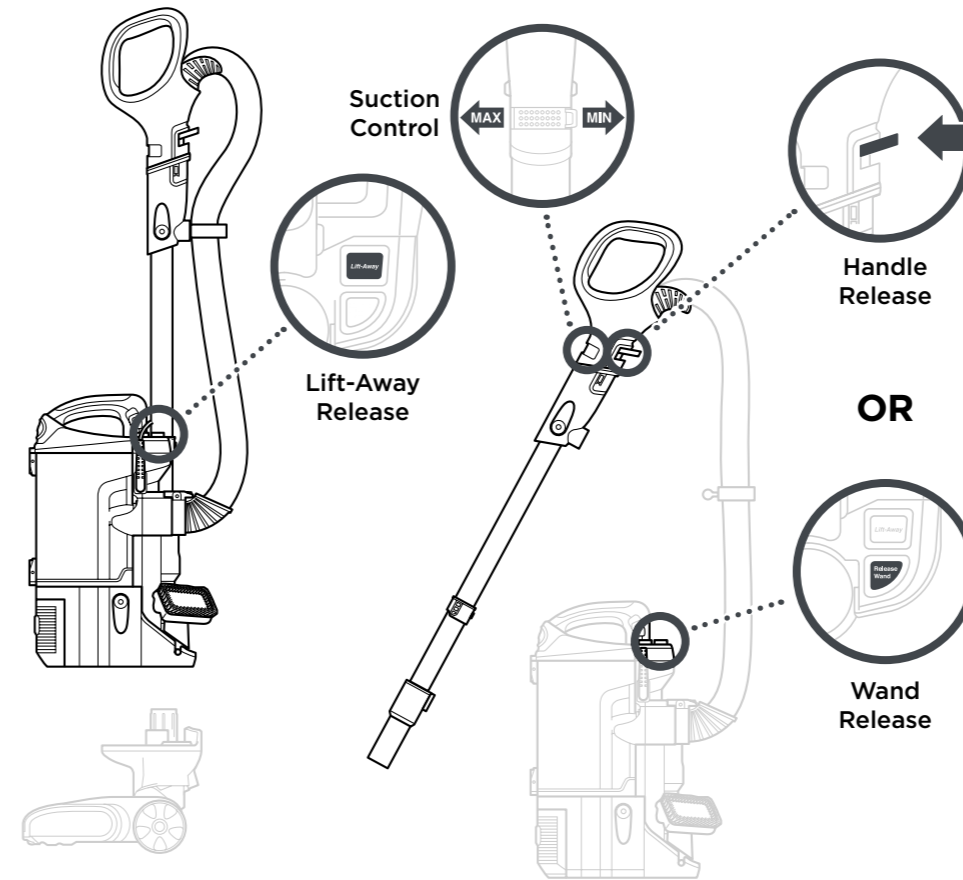
Push the POWER button to turn the vacuum on or off.



Floor Setting

Slide the POWER button up or down to choose floor type.

2 LIFT-AWAY®

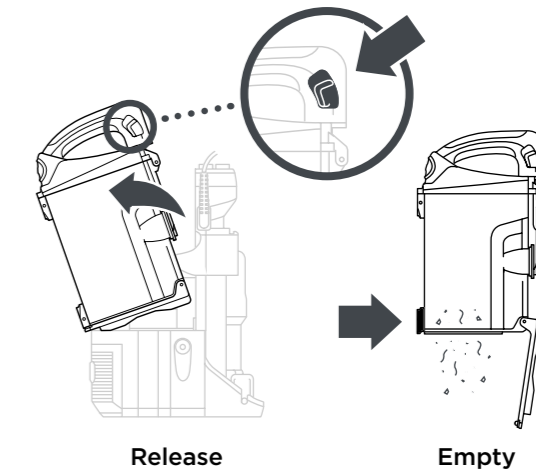


Attach any of the accessories to the handle or wand.

NOTE: The flat side of the Hard Floor Hero™ attachment should face forward.

MAINTENANCE

Empty dust cup after each use



TIP:

Wash filters every 3 months to keep the suction strong.

Rinse filters and allow to air-dry completely. Tap loose dirt from foam filters as needed between washes.

Easy brushroll access: just pop open the garage

Push the release buttons and the brushroll garage door will pop open. Lift out the brushroll to easily remove any string, hair, or debris that may be wrapped around it.

