

# ***Shark***<sup>®</sup> ***Rocket***<sup>®</sup>

**NV480**


**Series**

---

**INSTRUCTIONS**



 [sharkclean.com](http://sharkclean.com)


 1-800-798-7398

# THANK YOU

for purchasing the Shark® Rocket® Professional

## REGISTER YOUR PURCHASE

 sharkclean.com

 1-800-798-7398

## RECORD THIS INFORMATION

Model Number: \_\_\_\_\_

Date Code: \_\_\_\_\_

Date of Purchase (Keep receipt): \_\_\_\_\_

Store of Purchase: \_\_\_\_\_

## TECHNICAL SPECIFICATIONS

Voltage: 120V., 60Hz

Watts: 800W

Amps: 6.7A

## PLEASE READ CAREFULLY AND KEEP FOR FUTURE REFERENCE.

These instructions are designed to help you get a complete understanding of your new Shark Rocket Professional.

If you have any questions, please call the customer service line at 1-800-798-7398.

# CONTENTS

<b>Important Safety Instructions</b> .....	<b>3</b>
<b>Getting to Know Your Shark® Rocket® Professional</b> .....	<b>5</b>
<b>Assembling Your Vacuum</b> .....	<b>7</b>
<b>Using Your Vacuum in Upright Mode</b> .....	<b>9</b>
What Does the Brushroll Indicator Light Mean? .....	9
<b>Using Your Vacuum in Above-Floor Mode</b> .....	<b>10</b>
<b>Compatible Accessories</b> .....	<b>11</b>
<b>Maintenance</b> .....	<b>13</b>
Emptying the Dust Cup.....	13
Cleaning the Filters.....	14
Checking for Blockages & Maintaining Brushroll.....	15
<b>Troubleshooting Guide</b> .....	<b>17</b>
<b>Warranty</b> .....	<b>20</b>

# IMPORTANT SAFETY INSTRUCTIONS

FOR HOUSEHOLD USE ONLY

## ⚠ WARNING

To reduce the risk of injury, fire, electric shock, and property damage resulting from improper use of the appliance, carefully observe the following instructions. This unit contains electrical connections and moving parts that potentially present risk to the user.

### THE FLOOR NOZZLE, WAND, AND HANDLE CONTAIN ELECTRICAL CONNECTIONS:

- These are not serviceable parts.
- Do not use to vacuum any liquids.
- Do not immerse in water.
- If handle/wand is damaged, discontinue use.

- 1 Inspect power cord and plug for any damage before use. DO NOT use vacuum cleaner with a damaged cord or plug. Turn off all controls before plugging in or unplugging the vacuum cleaner. Store your vacuum cleaner with the power cord secured around the two cord hooks.
- 2 DO NOT use outdoors or on wet surfaces. Use only on dry surfaces.
- 3 Unplug from electrical outlet when not in use and before servicing.
- 4 If vacuum cleaner is not working as it should, has been dropped, damaged, left outdoors, or dropped into water, return it to SharkNinja Operating LLC for examination, repair, or adjustment.
- 5 DO NOT pull or carry vacuum cleaner by the cord or use the cord as a handle.
- 6 DO NOT unplug by pulling on cord. Grasp the plug, not the cord.

- 7 DO NOT handle plug or vacuum cleaner with wet hands.
  - 8 DO NOT run the vacuum cleaner over the power cord, close a door on the cord or pull the cord around sharp corners.
  - 9 The use of an extension cord is NOT recommended.
  - 10 DO NOT leave vacuum cleaner when plugged in.
  - 11 Keep cord away from heated surfaces.
- ### GENERAL USE
- 12 Use only as described in this manual.
  - 13 Keep your work area well lit.
  - 14 Keep the vacuum cleaner moving over the carpet surface at all times to avoid damaging the carpet fibers.
  - 15 DO NOT place vacuum cleaner on unstable surfaces such as chairs or tables.
  - 16 DO NOT put any objects into openings. DO NOT use with any opening blocked; keep free of dust, lint, hair, and anything that may reduce airflow.

- 17 DO NOT allow the appliance to be used by children. Close attention is necessary when used near children. This is not a toy.
- 18 DO NOT use without dust cup and/or filters in place.

# SAVE THESE INSTRUCTIONS

PLEASE READ CAREFULLY BEFORE USE

- 19 DO NOT use if airflow is restricted. If the air paths or the floor nozzle become blocked, turn the vacuum cleaner off and unplug from electrical outlet. Remove all obstructions before you turn on the unit again.
- 20 Keep nozzle away from hair, face, fingers, uncovered feet, or loose clothing.
- 21 Only use manufacturer's recommended attachments.

### DUST CUP/FILTERS/ACCESSORIES

Before turning on the vacuum:

- 22 Make sure that all filters are thoroughly dry after routine cleaning.
- 23 Make sure that dust cup and all filters are in place after routine maintenance.
- 24 Make sure accessories are free of blockages and keep openings away from face and body.
- 25 Only use Shark®-brand filters and accessories (failure to do so will void the warranty).

### GENERAL CLEANING

- 26 DO NOT vacuum up large objects.
- 27 DO NOT vacuum up hard or sharp objects such as glass, nails, screws, or coins that could damage the vacuum cleaner.
- 28 DO NOT vacuum up drywall dust, fireplace ash, or embers. DO NOT use as an attachment to power tools for dust collection.

- 30 DO NOT vacuum up smoking or burning objects such as hot coals, cigarette butts, or matches.
- 31 DO NOT vacuum up flammable or combustible materials (e.g., lighter fluid, gasoline, or kerosene) or use vacuum in areas where they may be present.
- 32 DO NOT vacuum up toxic solutions (e.g., chlorine bleach, ammonia, or drain cleaner).
- 33 DO NOT use in an enclosed space where vapors are present from paint, paint thinner, moth-proofing substances, flammable dust, or other explosive or toxic materials.
- 34 DO NOT vacuum up any liquids.
- 35 DO NOT immerse vacuum cleaner in water or other liquids.
- 36 Use extra care when cleaning on stairs.

### POLARIZED PLUG

To reduce the risk of electric shock, this vacuum cleaner has a polarized plug (one blade is wider than the other). As a safety feature, this plug will fit into a polarized outlet only one way. If the plug does not fit fully into the outlet, reverse the plug. If it still does not fit, contact a qualified electrician. DO NOT force into outlet or try to modify to fit.

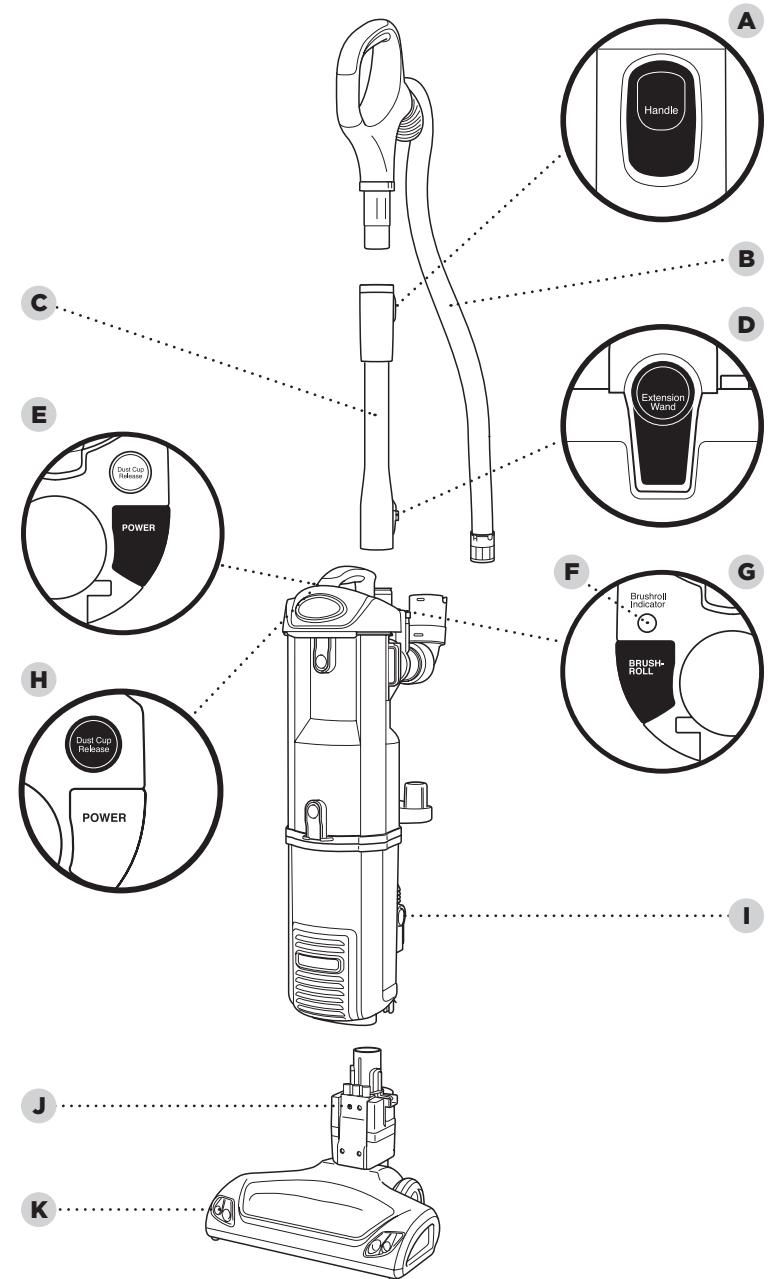
# GETTING TO KNOW YOUR SHARK® ROCKET® PROFESSIONAL

## WELCOME!

Congratulations on your purchase. Use this instruction manual to learn about your new vacuum's great features. From assembly to use to maintenance, you will find it all in here.

### MAIN UNIT

- A** Handle Release Button
- B** Hose
- C** Extension Wand
- D** Extension Wand Release Button
- E** Power Button
- F** Brushroll Indicator Light
- G** Brushroll On/Off Button
- H** Dust-Cup Release Button
- I** Floor Nozzle Release Button
- J** Motorized Floor Nozzle
- K** Headlights

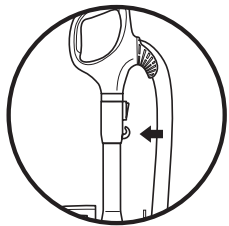


# ASSEMBLING YOUR VACUUM

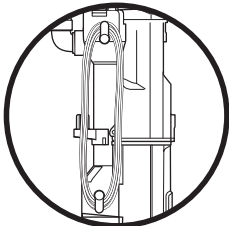
## DID YOU KNOW?

The Shark® Rocket® Professional is less than 15 pounds without the cord, making it an ultra-light upright.

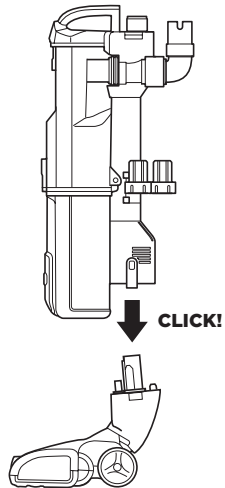
**TIP:** Use cord clip located on the back of wand to hold cord in place while vacuuming.



**TIP:** To store your vacuum, wrap cord around cord hooks.

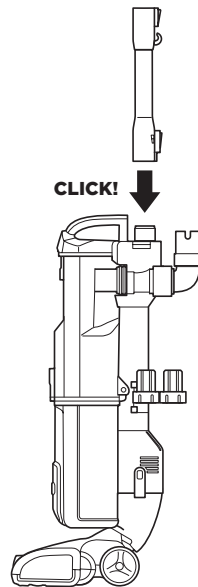


### STEP 1



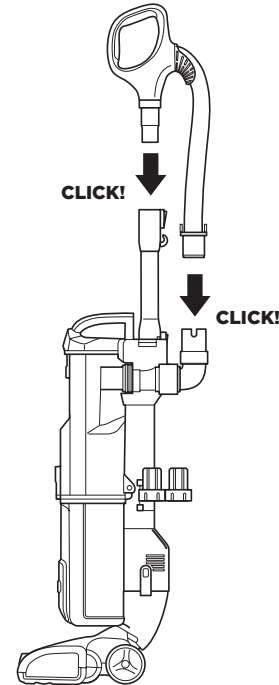
**1** Place the vacuum body onto floor nozzle.

### STEP 2



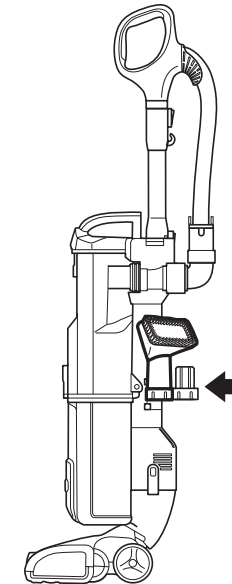
**2** Insert extension wand into top of the vacuum.

### STEP 3



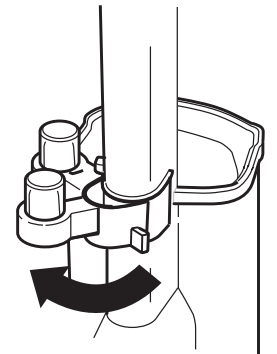
**3** Insert handle into top of extension wand and hose into hose connector until you hear a click.

### STEP 4



**4** Insert tools onto the accessory posts.

### STEP 5



**5** The accessory holder is removable. To remove, first remove the dust cup. Then, from behind, hold and pull the tab on the right and pull out. To replace, align the pins into the hinge on the vacuum and clip back into place.

## USING YOUR VACUUM IN UPRIGHT MODE

**⚠ WARNING:** Ensure solid footing when using in Lift-Away™ mode. Using for an application where you lack stability may result in personal injury.

### WHAT DOES THE BRUSHROLL INDICATOR LIGHT MEAN?

#### Solid Green

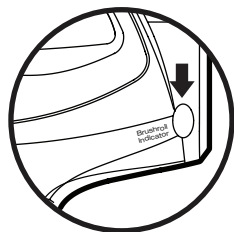
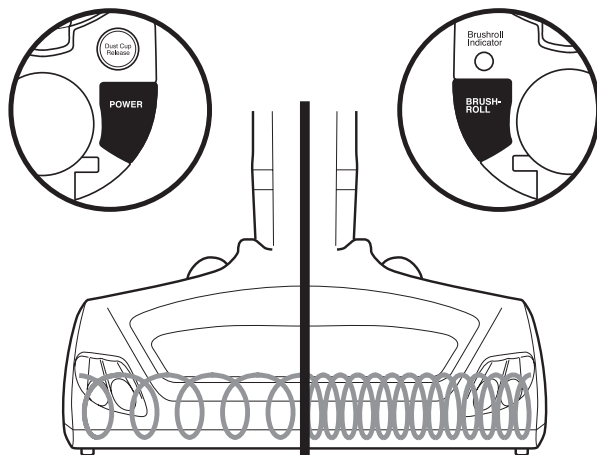
The brushroll is on and working as it should.

#### Solid Red

There is a jam in the brushroll area. Turn your vacuum off and remove the blockage.

#### No Light

The brushroll is off. To turn it on, press the BRUSHROLL button. The light should turn green, and the brushroll should spin.

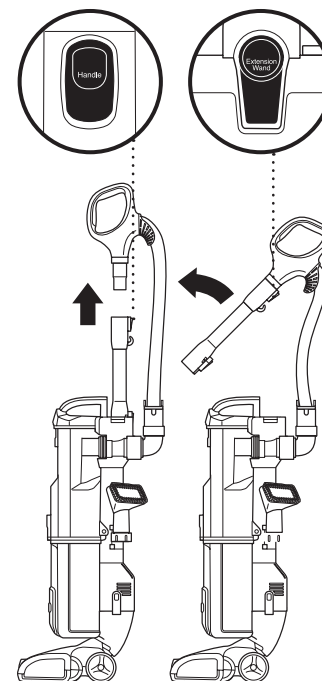


- 1 Plug the power cord into outlet. Place foot on floor nozzle and tilt handle back.
- 2 Press POWER to clean hard floor surfaces, area rugs or above-floor. The brushroll will not spin in this mode.
- 3 To clean carpet, press the BRUSHROLL button. The Brushroll Indicator Light will illuminate green. The brushroll will spin only when the vacuum is reclined and the Brushroll Indicator Light is green.

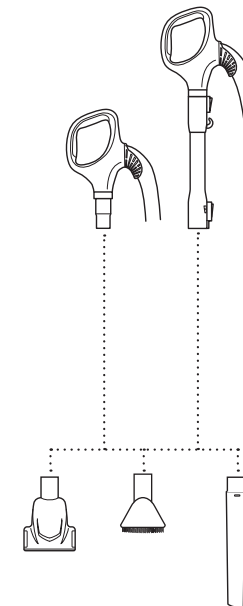
**NOTE:** For deep cleaning per ASTM F 608 (embedded dirt in carpets) please ensure brushroll is on.

## USING YOUR VACUUM IN ABOVE-FLOOR MODE

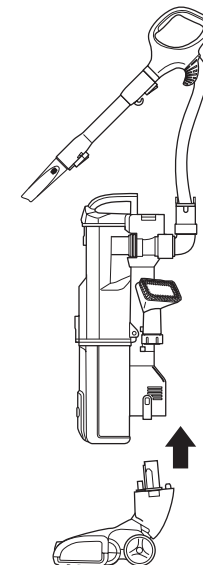
### STEP 1



### STEP 2



### STEP 3



### ABOVE FLOOR MODE

- 1 Stand the vacuum upright. Push the Extension Wand release button and pull the wand up. You can also press the Handle release button to lift the handle.
- 2 Attach desired cleaning accessory.

### LIFT-AWAY™ MODE

- 3 To use in Lift-Away mode, press the Floor Nozzle Release button at the bottom of the pod to disconnect from the floor nozzle. Attach desired cleaning accessory on the handle or wand.

## COMPATIBLE ACCESSORIES

There are a variety of accessories that are compatible with this vacuum series.

The top flap of your box shows the select accessories that are included with your model.

**To purchase additional accessories, go to [sharkclean.com](http://sharkclean.com)**

### **A 11" Crevice Tool**

Gives you extended cleaning reach for small spaces.

### **B Pet Power Brush**

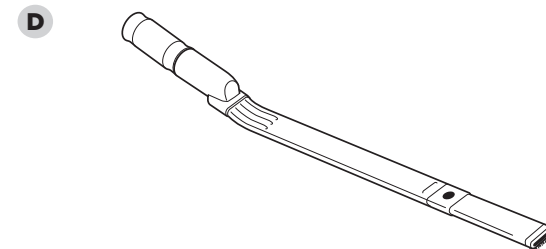
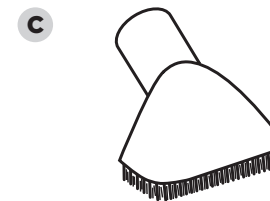
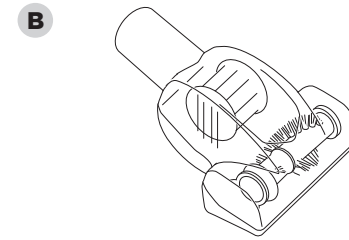
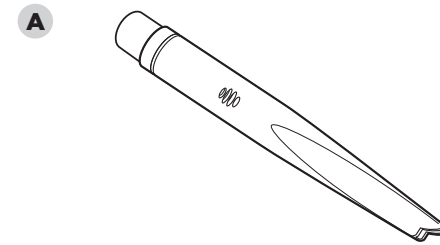
Designed for removal of pet hair and ground-in dirt from carpeted stairs and upholstery.

### **C Dusting Brush**

Cleans hard surfaces and upholstery.

### **D Under-Appliance Wand**

Clean under and behind hard-to-move appliances and furniture with this adjustable 36" tool. Flip the extension piece over to clean the underside of appliances.



# MAINTENANCE

To keep your vacuum's suction power optimal, follow these instructions. Make sure unit is off and cord is unplugged.

**⚠ WARNING:** To reduce the risk of shock and unintended operation, turn power off and unplug unit before servicing.

Hand wash with water only to prevent damage from cleaning chemicals. Allow ALL filters to dry completely before replacing in the vacuum to prevent liquid from being drawn into electric parts.

**★ IMPORTANT:** Do not use soap when cleaning the HEPA filter.

## RECOMMENDED FILTER CLEANING SCHEDULE:

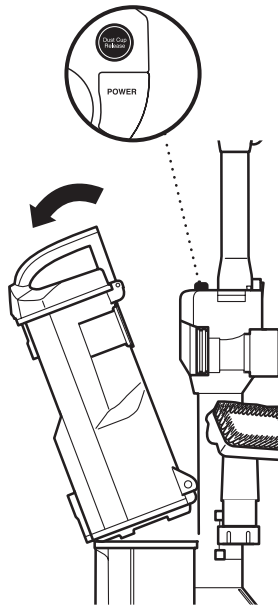
### Pre-Motor Filter Kit

(Foam & Felt)  
XFF450  
Clean every 3 months.

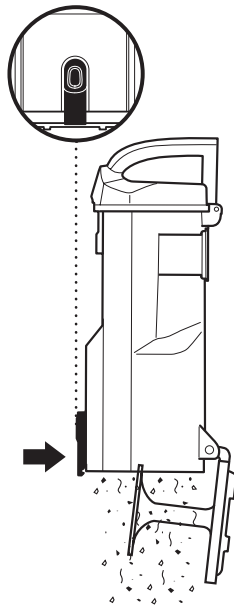
### Post-Motor Filter

(HEPA)  
XHF450  
Clean once a year.

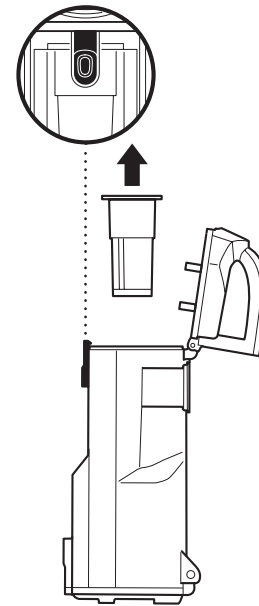
## STEP 1



## STEP 2



## STEP 3



## EMPTYING THE DUST CUP

- 1 Press the dust-cup release button and lift dust cup off the vacuum.
- 2 Hold dust cup over a trash bin and press the empty-release latch on the bottom of the dust cup.
- 3 Press top dust-cup release latch to access dust screen and remove built-up debris as required.

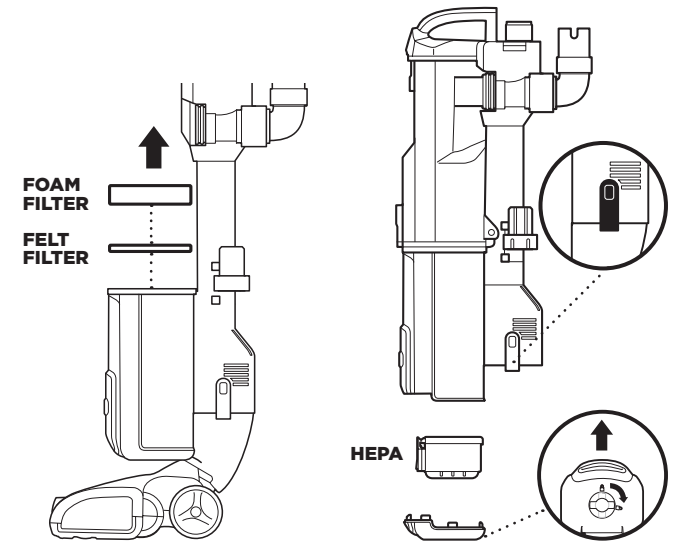
## CLEANING THE FILTERS

### 1 Pre-Motor (foam and felt):

With the dust cup removed, take out and rinse the foam and felt filters with water. Tap loose dirt off filters between washes as needed.

### 2 Post-Motor (HEPA):

To access the HEPA filter, remove the floor nozzle by pressing the Nozzle Release button on the side of the vacuum. To release the filter frame, turn latch to the unlock symbol. Press tab on filter to remove and access filter. Rinse HEPA filter.





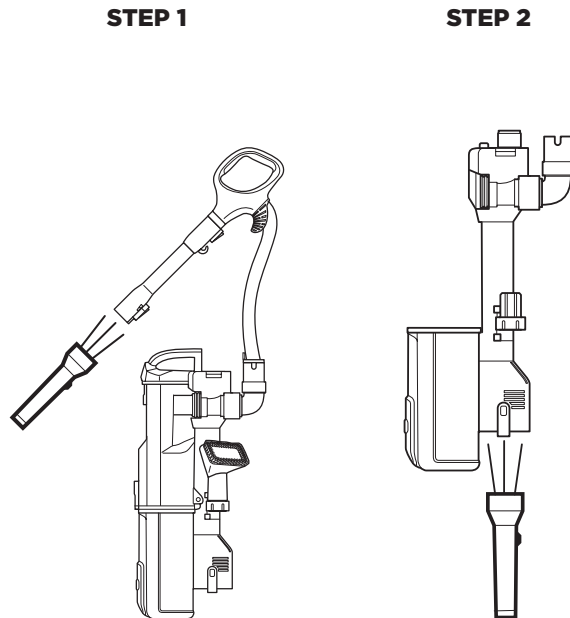
# MAINTENANCE

**⚠ WARNING:** To reduce the risk of shock and unintended operation, turn power off and unplug unit before servicing.

**⚠ WARNING:** Do not cut anything but the hair, fibers or string that is on the brushroll.

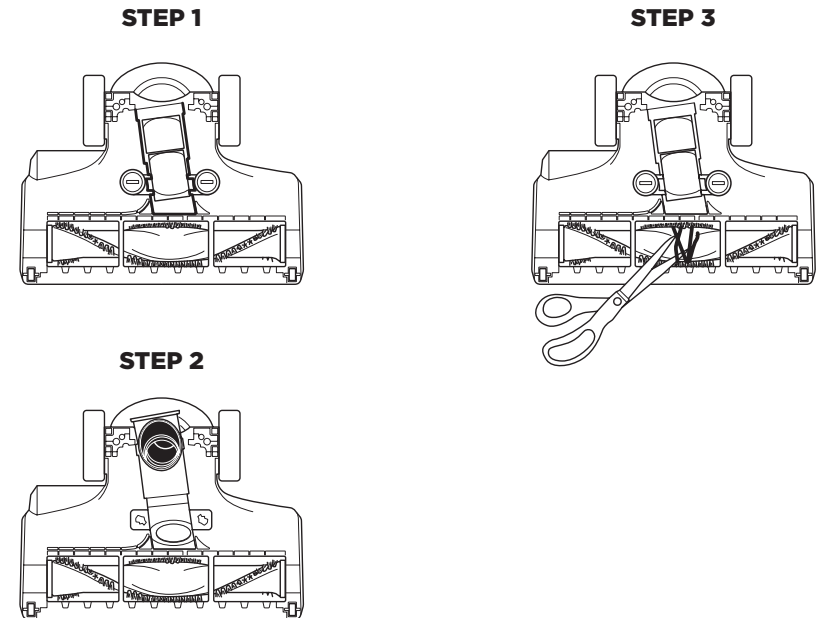
**💡 TIP:** Ensure the bottom of the floor nozzle is completely sealed and locked before using.

**💡 TIP:** You do not need any tools to open the floor nozzle—just a coin.



## CHECKING FOR BLOCKAGES: HOSE AND TUBES

- 1 Remove floor nozzle and extension wand.
- 2 Check all dust cup intake openings for blockages. Then, remove dust cup and hose to check intake opening and hose elbow for blockages.



## BOTTOM OF FLOOR NOZZLE

- 1 Use a coin to unlock the two locks on the bottom of the floor nozzle.
- 2 Lift tabs and pull up to expose the airway. Tilt nozzle neck back to straighten air way. Shine a flashlight from the bottom to check for possible blockage in the airway.
- 3 Remove any string, carpet fibers or hair that may be wrapped around the brushroll. There is a groove along the brush bar that allows a pair of scissors to cut across it to loosen up the debris. To close, push down until you hear it click into place then lock the two locks.



The 5-Year Limited Warranty applies to purchases made from authorized retailers of **SharkNinja Operating LLC**. Warranty coverage applies to the original owner and to the original product only and is not transferable.

SharkNinja warrants that the unit shall be free from defects in material and workmanship for a period of 5 years from the date of purchase when it is used under normal household conditions and maintained according to the requirements outlined in this instruction manual, subject to the following conditions and exclusions.

**What is covered in my warranty?**

1. The original unit and/or non-wearable components deemed defective, in SharkNinja’s sole discretion, will be repaired or replaced for up to 5 years from the original purchase date.
2. In the rare event that a replacement unit is issued, the warranty coverage ends six months following the receipt date of the replacement unit or the remainder of the existing warranty, whichever is greater. If the unit is replaced, SharkNinja reserves the right to replace the unit with one of equal or greater value.

**What is not covered in my warranty?**

Our Customer Care/Product Specialists are available to provide all the warranty service options available to you, including the possibility of upgrading to our VIP Warranty Service Options for select product categories.

1. Normal wear and tear of wearable parts such as foam filters, HEPA filters, pads etc., which require regular maintenance and/or replacement to ensure the proper functioning of your unit are not covered by this warranty.
2. Any unit that has been tampered with or used for commercial purposes.
3. SharkNinja will cover the cost for the customer to send in the unit to us for repair or replacement. A fee of \$19.95 for return shipping costs will be charged at the time of return shipment of the repaired or replacement unit. Our Customer Care /Product Specialists are available to provide all the warranty service options available to you including upgrading to our VIP Warranty Service Options.
4. Damage caused by misuse, abuse, or negligent handling, or damage due to mishandling in transit.
5. Consequential and incidental damages.
6. Defects caused by or resulting from damages from shipping or repairs, service, or alteration to the product or any of its parts which have been performed by a repair person not authorized by SharkNinja.
7. Products purchased, used or operated outside of North America.

**Problems with your unit/How to get service**

If your appliance fails to operate properly while in use under normal household conditions within the warranty period, visit [sharkclean.com](http://sharkclean.com) for product care/maintenance self- help. Our customer care and product specialists are also available at 1-800-798-7398 to assist with product support and warranty service options.

**How to initiate a warranty claim**

You must first activate your warranty by registering your unit online at [sharkclean.com/customersupport](http://sharkclean.com/customersupport). (Note: Purchases made directly from SharkNinja are automatically registered with us and the warranty activated.) Alternatively, you can call 1-800-798-7398 to have a customer care specialist assist you. Please note you must call 1-800-798-7398 to initiate a warranty claim. Return and Packing Instruction information will be provided at that time.

The customer care line is open Monday-Saturday, 7am-11pm ET and Sunday, 9am-8pm ET.

Replacement parts are available for purchase at [sharkclean.com](http://sharkclean.com). For more information on what are classified as wearable and non-wearable parts, please visit [sharkwarranty.com](http://sharkwarranty.com).

This warranty gives you specific legal rights, and you also may have other rights that vary from state to state.

Some states do not permit the exclusion or limitation of incidental or consequential damages, so the above may not apply to you.



**SharkNinja Operating LLC**  
**US: Newton, MA 02459**  
**CAN: Ville St-Laurent, QC H4S 1A7**  
**1-800-798-7398**  
**sharkclean.com**

Illustrations may differ from actual product. We are constantly striving to improve our products; therefore the specifications contained herein are subject to change without notice.

Rocket and Shark are registered trademarks of SharkNinja Operating LLC.

For SharkNinja U.S. Patent information visit [sharkninja.com/USPatents](http://sharkninja.com/USPatents)

