

Please be sure to read the enclosed Shark® Owner's Guide prior to using your unit.

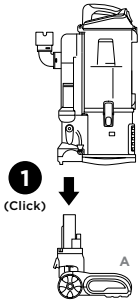
# Shark NAVIGATOR™ LIFT-AWAY®

## QUICK START GUIDE

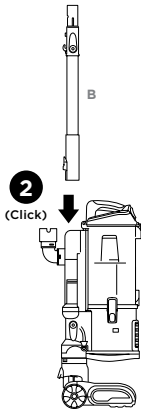
### WHAT'S INSIDE

- A** Motorized Floor Nozzle
- B** Wand
- C** Handle
- D** Crevice Tool
- E** Upholstery Tool

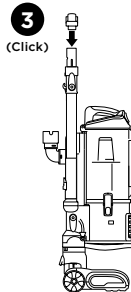
### ASSEMBLY



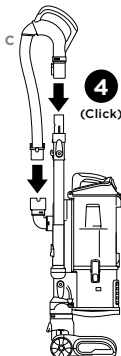
Place pod onto floor nozzle.



Slide wand into base of pod.



Slide accessory holder onto extension wand.

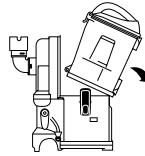


Insert handle into top of wand, then attach hose connector on back of pod.

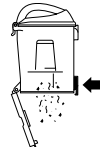


### MAINTENANCE

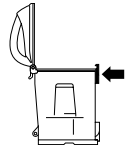
#### Empty dust cup after each use



To remove the dust cup, lift tabs on both sides. Tilt dust cup forward, then lift off.

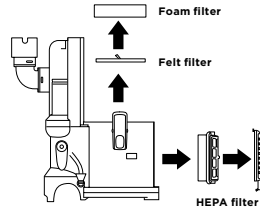


Hold dust cup over a trash bin and press the empty-release latch on the bottom.



Press top dust cup release latch to access dust screen and remove built-up debris as necessary.

#### Cleaning Filters



#### TIP:

To keep suction strong, rinse pre-motor filters with water only every 3 months, and the HEPA filter once a year.

Allow filters to air-dry completely for at least 24 hours before reinstalling, between washes.

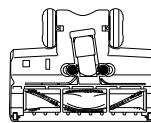
#### Pre-Motor (foam and felt):

With the dust cup removed, take out the foam and felt filters and rinse them with water. Between washes, tap loose dirt off filters when needed.

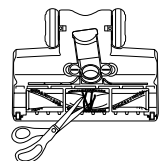
#### Post-Motor (HEPA):

To access the HEPA filter, pull the tab under the filter cover, and lift off the cover. Remove and rinse the HEPA filter.

#### Easy brushroll maintenance



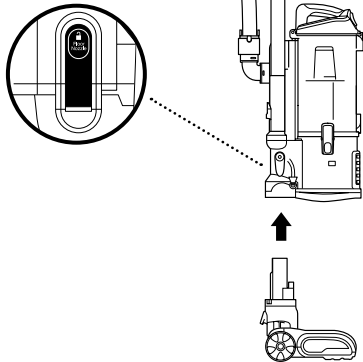
Use a coin to open the 2 locks on the bottom of the floor nozzle.



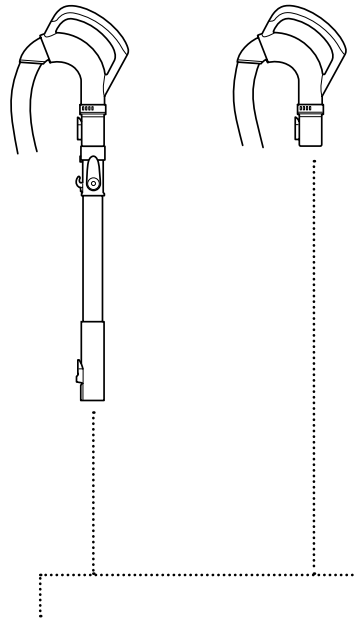
Remove any string, carpet fibers, or hair that may be wrapped around the brushroll.

# USING YOUR VACUUM IN LIFT-AWAY® MODE

- 1** Press Floor Nozzle release button to lift pod off floor nozzle.



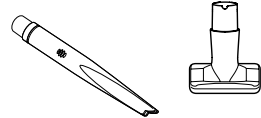
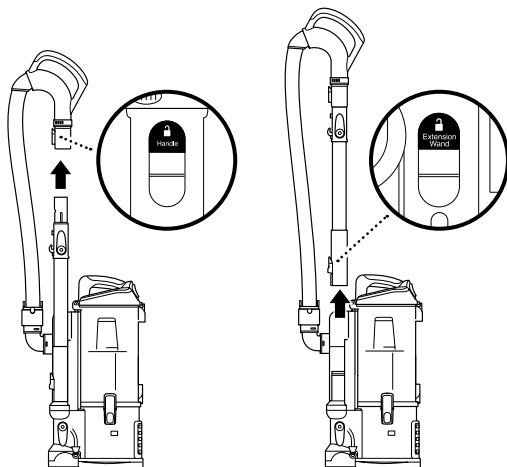
- 4** Attach a cleaning tool to the end of the handle or wand.



- 2** Press Handle release button to clean above-floor areas with the handle.

OR

- 3** Press Extension Wand release button on pod when you need to clean with a longer reach.



For additional parts and accessories, visit [sharkaccessories.com](http://sharkaccessories.com)

For questions or to register your product visit us online at [sharkclean.com](http://sharkclean.com)



@sharkcleaning