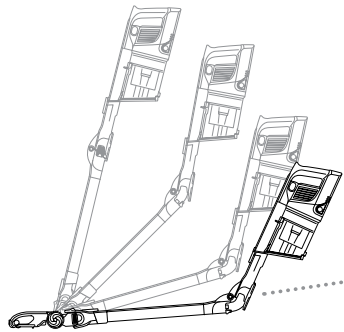


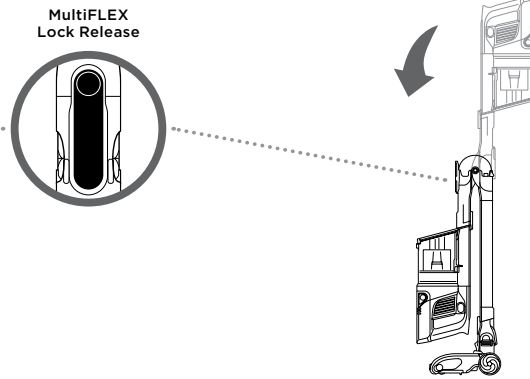
## REACH ANYWHERE

Press the MultiFLEX® Lock Release button to lower the angle of the wand to increase your reach.



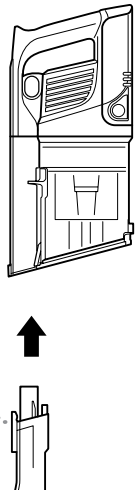
## STORE ANYWHERE

Press the MultiFLEX Lock Release button and fold the handheld vacuum forward. To vacuum, lift up the handheld vacuum, until the wand locks in place.

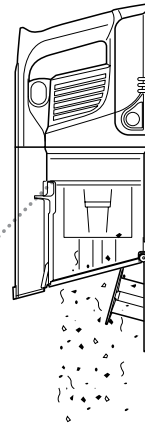


## EMPTYING THE DUST CUP

1. To empty dust cup, first disconnect the handheld vacuum from the wand by pressing the Wand Release button and pulling up on the handheld vacuum.



2. Position dust cup over a trash bin and slide the lid release button forward.



Please be sure to read the enclosed Shark® Owner's Guide prior to using your unit.

duo clean POWERFINS

# Shark VERTEX™

DuoClean® PowerFins Cordless Vacuum  
with Self-Cleaning Brushroll

## QUICK START GUIDE

For questions, visit us  
online at [sharkclean.com](http://sharkclean.com)



# Shark

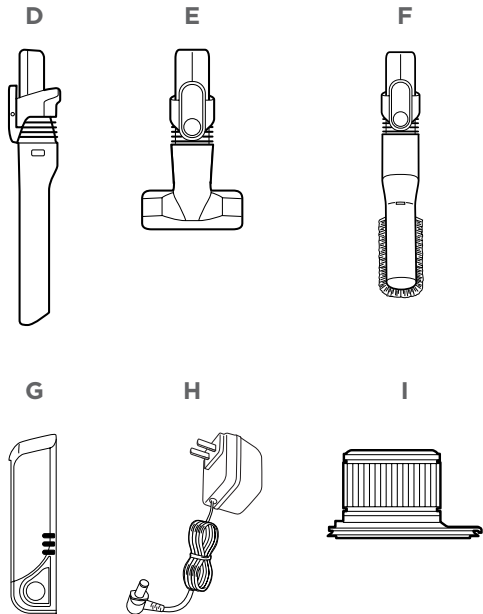
©2020 SharkNinja Operating LLC.  
DUOCLEAN, MULTIFLEX, and SHARK are registered trademarks of SharkNinja Operating LLC.  
VERTEX is a trademark of SharkNinja Operating LLC.

IZ462H\_QSG\_MP\_Mv2

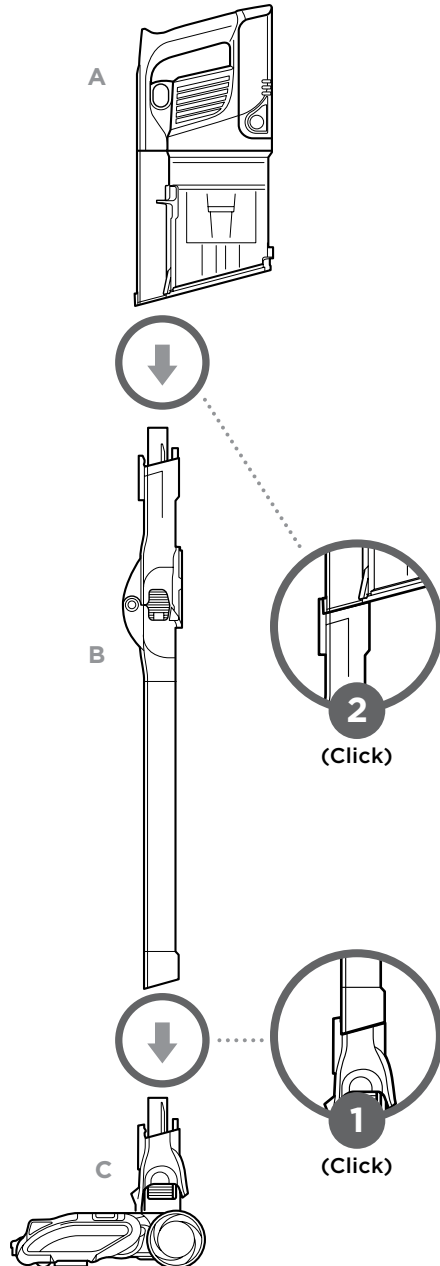
IZ462H

## WHAT'S INSIDE:

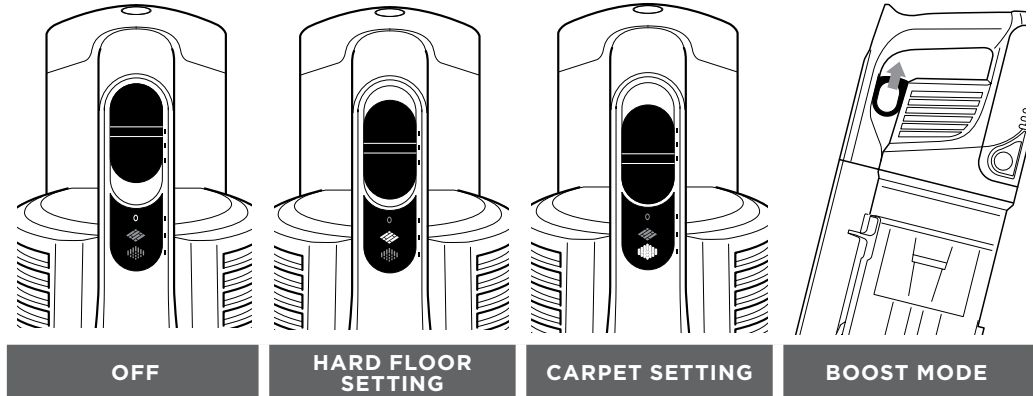
- A Handheld Vacuum
- B MultiFLEX® Wand
- C DuoClean® PowerFins Floor Nozzle
- D Crevice Tool
- E Pet Multi-Tool
- F Anti-Allergen Brush
- G Lithium-Ion Battery (Pre-Installed)
- H Charger
- I HEPA Post-Motor Filter (Pre-Installed)



## ASSEMBLY



## POWER SETTINGS



**OFF**  
Slide switch to the top to turn off power. To begin vacuuming, slide switch to the appropriate setting.

**HARD FLOOR SETTING**  
Slide switch to the middle. The brushrolls spin slowly to clean hard floors and low-pile area rugs.

**CARPET SETTING**  
Slide switch to the bottom. The brushrolls spin faster to pick up debris below the surface of your carpets.

**BOOST MODE**  
For an added boost in power, pull the **Trigger** on the handheld vacuum. Release it to return to standard power.

## LITHIUM-ION POWER PACK

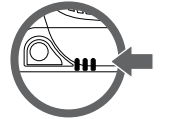
### In Use



### Charging



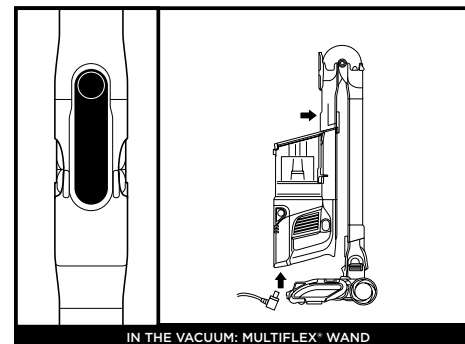
*NOTE: Full charge takes approximately 3 hours.*



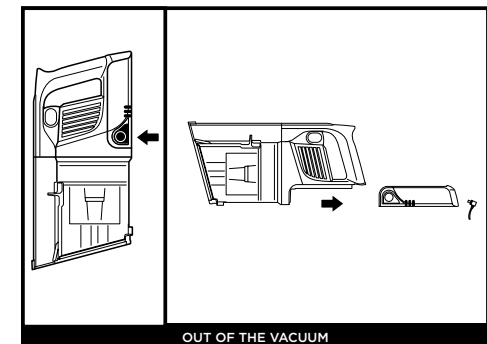
### Battery Indicator Lights

**NOTE:** The Lithium-Ion Power Pack battery comes partially charged. Charge fully before first use, then run the battery down until it is completely out of power. This will condition the battery so the LED indicators will work properly.

## CHARGING



IN THE VACUUM: MULTIFLEX® WAND



OUT OF THE VACUUM

To put the vacuum in storage mode, press the **MultiFLEX Lock Release** button while folding the handheld vacuum forward until the wand clicks and locks. Plug the charger into the charging port on the battery.

To remove the battery, press the **Battery Release** button and slide out the battery. Plug the charger into the charging port on the battery.

For additional parts and accessories, visit [sharkclean.com](http://sharkclean.com)