

# Shark®

## Rocket®

Model/Modèle/Modelo  
HV293Q



[www.sharkrocket.com](http://www.sharkrocket.com)



1.800.798.7398

## Thank you for purchasing the **Shark® Rocket® Hand Vacuum**

### TECHNICAL SPECIFICATIONS:

Voltage: 120V., 60Hz  
Watts: 400W  
Amps: 3.4 A

### Contents

Important Safeguards .....	3
Getting to know your Shark® Rocket® Hand Vacuum.....	4
Above-Floor Cleaning.....	5
Accessories .....	6
Maintenance .....	7
Trouble-Shooting Guide .....	8
Warranty .....	8

## Merci d'avoir acheté l'**aspirateur à main Rocket<sup>MD</sup> de Shark<sup>MD</sup>.**

### SPÉCIFICATIONS TECHNIQUES :

Tension : 120V., 60Hz  
Watts : 400W  
Ampères : 3.4A

### Table des matières

Consignes de sécurité importantes .....	9
Familiarisation de votre aspirateur à main Rocket <sup>MD</sup> de Shark <sup>MD</sup> .....	10
Nettoyage au delà du sol.....	11
Accessoires .....	12
Entretien.....	13
Guide de dépannage .....	14
Garantie.....	14

## Gracias por haber comprado la aspiradora de mano **Shark® Rocket®.**

### ESPECIFICACIONES TÉCNICAS:

Voltaje: 120V., 60Hz  
Potencia: 400W  
Amperes: 3.4A

### Índice de contenidos

Medidas importantes de seguridad.....	15
Conocer su aspiradora de mano Shark® Rocket® .....	16
Para limpiar por encima del piso .....	17
Accesorios.....	18
Mantenimiento.....	19
Guía de diagnóstico de problemas .....	20
Garantía.....	20



# IMPORTANT SAFEGUARDS

When using an electrical appliance, basic safety precautions should always be observed, including the following:

## WARNING

### TO REDUCE THE RISK OF FIRE, ELECTRIC SHOCK OR INJURY:

- 1 DO NOT use outdoors or on wet surfaces.
- 2 Unplug from electrical outlet when not in use and before servicing.
- 3 DO NOT use vacuum with a damaged cord or plug. If vacuum is not working as it should, has been dropped, damaged, left outdoors, or dropped into water, return it to SharkNinja Operating LLC for examination, repair, or adjustment.
- 4 DO NOT pull or carry vacuum by the cord or use the cord as a handle.
- 5 DO NOT unplug by pulling on cord; to unplug, grasp the plug, not the cord.
- 6 DO NOT handle plug or vacuum with wet hands.
- 7 DO NOT run the vacuum over the power cord, close a door on the cord, or pull cord around sharp corners.
- 8 The use of an extension cord is not recommended.
- 9 DO NOT leave vacuum when plugged in.
- 10 Keep cord away from heated surfaces.
- 11 Turn off all controls before plugging in or unplugging the vacuum.

### GENERAL USE

- 12 Use only as described in this manual.
- 13 DO NOT put any objects into openings. DO NOT use with any opening blocked; keep free of dust, lint, hair, and anything that may reduce airflow.
- 14 Keep your work area well lit.
- 15 DO NOT place vacuum on unstable surfaces such as chairs or tables.
- 16 DO NOT allow young children to operate the vacuum or use as a toy. Close attention is necessary when used near children.
- 17 DO NOT use without dust cup and/or filters in place.

### ATTACHMENTS

- 18 DO NOT use if airflow is restricted; if air paths, wand, or accessories become blocked, turn the vacuum off. Remove all obstructions before you turn on the unit again.

- 19 Keep the end of the hand vacuum and accessory openings away from face and body.
- 20 Keep cleaning tools openings away from hair, face, fingers, uncovered feet, and loose clothing.
- 21 Use only manufacturer's recommended attachments.

### DUST CUP/FILTERS/ACCESSORIES

Before turning on the vacuum:

- 22 Make sure all filters are thoroughly dry after routine cleaning.
- 23 Make sure dust cup and all filters are in place after routine maintenance. Refer to MAINTENANCE section for filter cleaning instructions.
- 24 Make sure accessories are free of blockages.
- 25 Use only filters and accessories provided by SharkNinja Operating LLC. [Failure to do so will void the warranty.]

### GENERAL CLEANING

- 26 DO NOT pick up large-sized objects.
- 27 DO NOT pick up hard or sharp objects such as glass, nails, screws, or coins that could damage the vacuum.
- 28 DO NOT pick up smoking or burning objects such as hot coals, cigarette butts, matches or fireplace ash.
- 29 DO NOT pick up drywall dust.
- 30 DO NOT pick up flammable or combustible materials such as lighter fluid, gasoline, or kerosene or use vacuum in areas where they may be present.
- 31 DO NOT pick up toxic solutions such as chlorine bleach, ammonia, or drain cleaner.
- 32 DO NOT use in an enclosed space where vapors are present from paint, paint thinner, moth-proofing substances, flammable dust, or other explosive or toxic materials.
- 33 DO NOT vacuum up any liquids.
- 34 DO NOT immerse vacuum in water or other liquids.
- 35 DO NOT use outdoors or on wet surfaces; use only on dry surfaces.
- 36 Use extra care when cleaning on stairs.

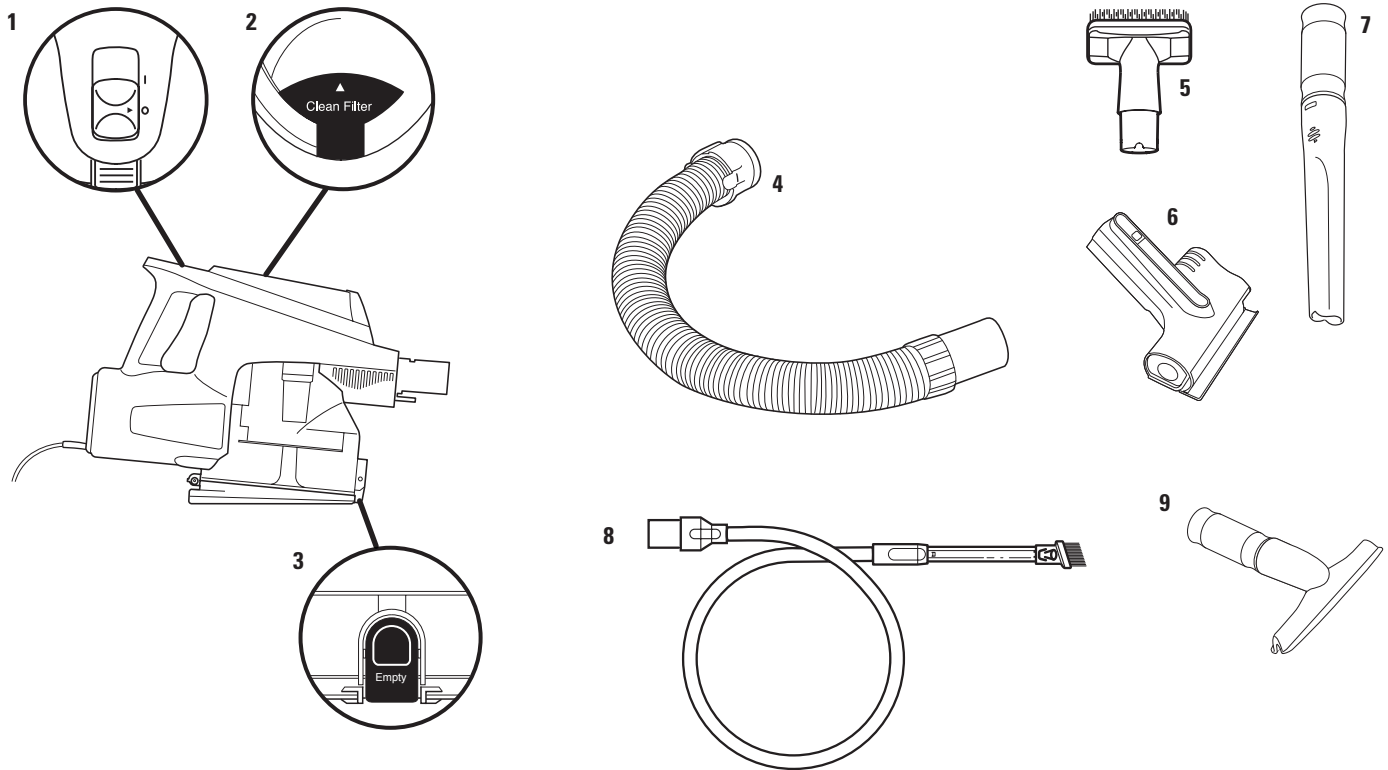
## SAVE THESE INSTRUCTIONS

### POLARIZED PLUG

To reduce the risk of electric shock, this vacuum has a polarized plug (one blade is wider than the other). As a safety feature, this plug will fit into a polarized outlet only one way. If the plug does not fit fully into the outlet, reverse the plug. If it still does not fit, contact a qualified electrician. DO NOT force into outlet or try to modify to fit.



## GETTING TO KNOW YOUR SHARK® ROCKET® HAND VACUUM



### MAIN UNIT

- 1 On/Off Switch
- 2 Filter Access
- 3 Dust Cup Empty

### ACCESSORIES

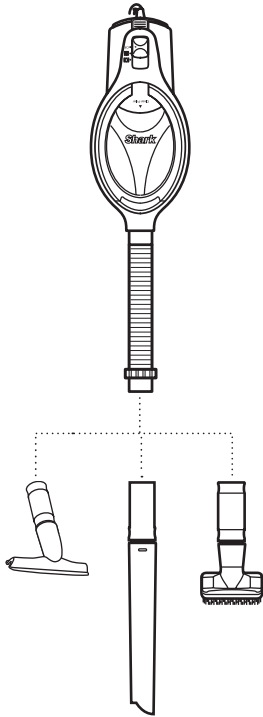
- 4 Flexible Hose
- 5 Dusting Brush
- 6 Motorized Pet Tool
- 7 12" Crevice Tool
- 8 Home and Car Detail Kit
- 9 Wide Upholstery Tool
- 10 Filter Kit (not illustrated) - XFFV300  
Pre-motor (Foam & Felt)  
Post-motor (felt)



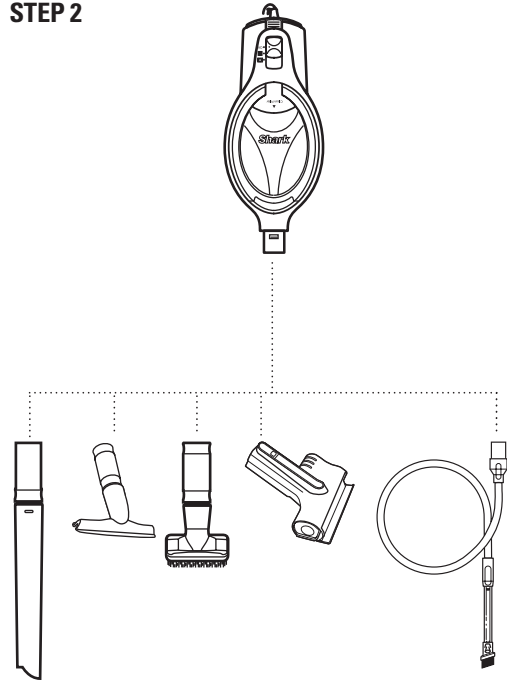
## ABOVE-FLOOR CLEANING

This vacuum has attachments for versatile cleaning, including a flexible hose to extend your cleaning reach.

### STEP 1



### STEP 2



- 1 Attach flexible hose to handheld vacuum. Attach desired cleaning accessory.

**Note:** Motorized Pet Tool cannot be used with flexible hose.

- 2 Attach desired cleaning accessory to handheld vacuum.

For a list of what is included with this model, refer to inside flap of box.

Videos of helpful tips on how to use accessories can be found in the Support section on [www.sharkrocket.com](http://www.sharkrocket.com)



## ACCESSORIES

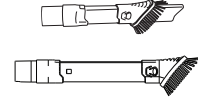
Select cleaning accessories are included.

**LOOKING FOR MORE?** To enhance your cleaning experience, additional accessories are available for purchase at [www.sharkrocket.com](http://www.sharkrocket.com) or by calling 1.800.798.7398.

---

### Duster Crevice (164FLIHV3)

Two cleaning tools in one. The crevice tool gives you extended cleaning reach for small spaces, while the dusting brush cleans a multitude of surfaces.



---

### 12" Crevice Tool (163FLIHV3)

Clean in between tight spaces or reach baseboards and ceilings with this slim crevice tool.



---

### 18" Flexible Crevice Tool (228FFJV300)

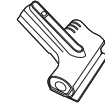
Extend and flex to an 18" length to access corners, baseboards, tight spaces or ceilings. The rubberized tip prevents scratches on surfaces.



---

### Motorized Pet Tool (267FFJ292)

The power of a full size upright in the palm of your hand. Picks up pet hair, loose debris, and powerfully deep cleans dander out of upholstery and surfaces.



---

### Flexible Hose (290FFJ321)

Stretch and flex this extension hose to clean around objects and get into hard to reach spaces. Attach the crevice tool or another accessory depending on what you are cleaning.



---

### Upholstery Tool (166FLIHV3)

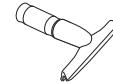
Perfect for grabbing pet hair and lint from furniture and other upholstered surfaces.



---

### Wide Upholstery Tool (165FLIHV3)

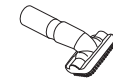
Perfect for grabbing pet hair and lint from furniture, mattresses and other upholstered surfaces.



---

### Dusting Brush (229FFJV300)

Great for dusting a multitude of surfaces such as shelves, tables, baseboards, window/door frames, and much more. Turn the brush head to adjust the angle to the surface you're cleaning.



---

### Multi-Angle Dusting Brush (137FLIV300)

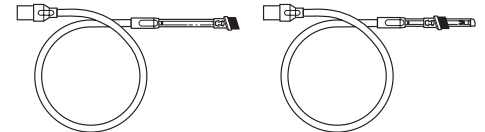
5-position soft dusting brush for cleaning shelves (straight out/downward orientation), blinds, walls, ceiling fans and lights (upward and downward orientation). Adjust the angle of this brush to the desired cleaning surface.



---

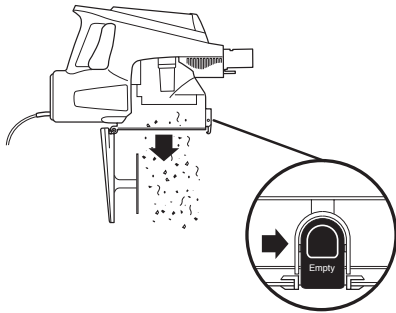
### Home and Car Detail Kit (XCRDT292)

Extension tubes and micro tools to clean the tightest spaces.



## MAINTENANCE

To keep your vacuum's suction power optimal, follow these instructions. Make sure unit is off and cord unplugged.



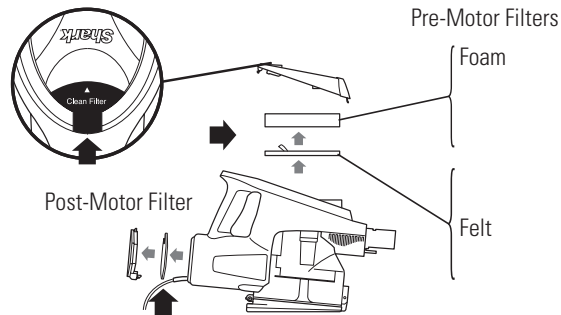
### EMPTY THE DUST CUP

- 1 Turn off the vacuum. Hold dust cup over trash bin and press the empty button on the front of the dust cup. The bottom lid will open, allowing the debris to fall out.

**NOTE:** Clean the dust screen inside the dust cup as required.

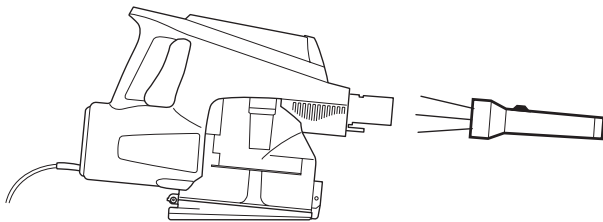
- 2 Once dust cup is empty, close the bottom lid until you hear it click.

**NOTE:** Empty debris from the dust cup once it has reached the MAX fill line.



### CLEAN THE FILTERS

- 3 Access the filters by lifting the latch on the top of the vacuum.
- 4 Remove and rinse the pre-motor foam and felt filters every month. Hand wash only. Let air dry completely before replacing. Tap loose dirt off filters between washes as needed. Insert the felt filter first and then place the foam filter on top of it.
- 5 Remove the post motor filter and rinse once a year. Hand wash only. Let air dry completely before replacing.



### TO CHECK FOR BLOCKAGES

- 1 Turn off and unplug vacuum.

- 2 Check all dust cup intake openings.

- 3 Check both sides of the flexible hose attachment for blockages.

## TROUBLESHOOTING GUIDE

---

### Vacuum is not picking up dirt. No suction or light suction.

- Check filters to see if they need cleaning. Follow instructions for rinsing and drying the filters before re-inserting back into the vacuum.
- Dust cup may be full; empty dust cup.
- Check accessories for blockages and clear if required.

---

### Vacuum turns off on its own.

- This vacuum is equipped with a motor protective thermostat. If for some reason your vacuum overheats, the thermostat will automatically turn the unit off. Should this occur, perform the following steps to restart the thermostat:
    1. Turn the unit off.
    2. Unplug the vacuum.
    3. Empty the dust cup and clean the filters.
    4. Check for blockages in hose, accessories, and inlet openings.
    5. Allow the unit to cool for a minimum of 30 minutes.
    6. Plug in the vacuum.
    7. Restart the unit by turning the power on.
- 

## FIVE-YEAR (5) LIMITED WARRANTY

SharkNinja Operating LLC warrants this product to be free from material defects and workmanship for a period of five (5) years from the date of purchase when utilized for normal household use, subject to the following conditions, exclusions and exceptions.

The liability of SharkNinja Operating LLC is limited solely to the cost of the repair or replacement of the unit at our option. This Limited Warranty does not cover normal wear of parts and does not apply to any unit that has been tampered with or used for commercial purposes. This Limited Warranty does not cover damage caused by misuse, abuse, negligent handling or damage due to faulty packaging or mishandling in transit. This Limited Warranty does not cover damage or defects caused by or resulting from damages from shipping or repairs, service or alteration to the product or any of its parts, which have been performed by a repair person not authorized by SharkNinja Operating LLC.

If your appliance fails to operate properly while in use under normal household conditions within the warranty period, you may return the complete appliance and accessories with proof of purchase and date, freight prepaid. For assistance with warranty service options or customer support, please call our customer care and product specialists at 1-800-798-7398 or visit our website at [www.sharkrocket.com](http://www.sharkrocket.com).

If the appliance is found by SharkNinja Operating LLC to be defective, in SharkNinja Operating LLC's sole discretion, we will repair or replace it free of charge. Proof of purchase is required and a fee of \$19.95 will apply to cover the cost of return freight.\*

Non-durable parts including, without limitation, filters, brushes and electrical parts which normally require replacement are specifically excluded from warranty.

This Limited Warranty is extended to the original purchaser of the unit and excludes all other legal, implied and/or conventional warranties. The responsibility of SharkNinja Operating LLC if any, is limited to the specific obligations expressly assumed by it under the terms of this Limited Warranty. In no event is SharkNinja Operating LLC liable for incidental or consequential damages to anyone of any nature whatsoever. Some states do not permit the exclusion or limitation of incidental or consequential damages, so the above may not apply to you.

This Limited Warranty gives you specific legal rights, and you may also have other rights which vary from state to state or province to province.

\*IMPORTANT: Carefully pack item to avoid damage in shipping. Be sure to include proof of purchase date and to attach a tag to item before packing including your name, complete address and phone number with a note giving purchase information, model number and what you believe is the problem with the item. We recommend you insure the package (as damage in shipping is not covered by your warranty). Mark the outside of your package "ATTENTION CUSTOMER SERVICE".

**Shark** and **Rocket** are registered trademarks of SharkNinja Operating LLC.  
**TruePet** and **Hard Floor Genie** are trademarks of SharkNinja Operating LLC.





# CONSIGNES DE SÉCURITÉ IMPORTANTES

Lorsque vous utilisez un appareil électrique, des précautions de sécurité de base devraient toujours être suivies, incluant celles qui suivent :

## AVERTISSEMENT

### POUR RÉDUIRE LE RISQUE D'INCENDIE, DE CHOCS ÉLECTRIQUES OU DE BLESSURES :

- 1 N'UTILISEZ PAS à l'extérieur ou sur des surfaces humides.
- 2 Débranchez l'aspirateur de la prise de courant lorsqu'il n'est pas utilisé et avant tout entretien.
- 3 N'UTILISEZ PAS l'aspirateur si le cordon ou la prise est endommagée. Si l'aspirateur ne fonctionne pas comme il se doit, a été échappé, endommagé, laissé à l'extérieur ou bien échappé dans l'eau, veuillez le retourner à SharkNinja Operating LLC pour une vérification, pour un ajustement ou pour une réparation.
- 4 NE TIREZ PAS ou NE TRANSPORTEZ PAS l'aspirateur par le cordon d'alimentation ou ne l'utilisez pas comme une poignée.
- 5 NE le DÉBRANCHEZ PAS en tirant sur le cordon d'alimentation; pour le débrancher, agrippez la fiche et non le cordon.
- 6 NE MANIPULEZ PAS la fiche d'alimentation électrique ou l'aspirateur avec des mains humides.
- 7 NE PASSEZ PAS l'aspirateur par-dessus le cordon d'alimentation; ne fermez pas une porte sur le cordon ou ne le tirez pas sur des coins pointus.
- 8 L'utilisation d'une rallonge électrique n'est pas recommandée.
- 9 NE LAISSEZ PAS l'appareil sans surveillance lorsqu'il est branché.
- 10 Gardez le cordon éloigné des surfaces chaudes.
- 11 Éteignez toujours l'appareil avant de brancher ou débrancher la brosse motorisée.

### UTILISATION GÉNÉRALE

- 12 Utilisez seulement de la façon indiquée dans ce manuel.
- 13 N'INSÉREZ PAS d'objets dans les ouvertures. N'UTILISEZ PAS si des ouvertures sont bouchées; assurez-vous qu'il n'y a pas de poussière, de charpie, de cheveux et tout autre objet pouvant réduire le débit d'air.
- 14 Veuillez garder votre zone de travail bien éclairée.
- 15 NE PLACEZ PAS l'aspirateur sur des surfaces instables telles que chaises ou tables.
- 16 NE LAISSEZ PAS les jeunes enfants utiliser l'aspirateur ou l'utiliser comme un jouet. Une étroite surveillance est nécessaire lorsqu'utilisé près ou par des enfants.
- 17 N'UTILISEZ PAS si le récipient à poussière et/ou les filtres ne sont pas en place.

### ACCESSOIRES

- 18 N'UTILISEZ PAS si le débit d'air est restreint; si les conduits d'air, le boyau ou les accessoires sont obstrués, éteignez l'aspirateur. Retirez toutes les obstructions avant de remettre l'appareil en marche.
- 19 Tenez éloigné de votre visage et votre corps, l'aspirateur à main et les ouvertures pour accessoires.
- 20 Gardez les orifices d'aspiration éloignés de vos cheveux, de votre figure, de vos doigts, de vos pieds nus ou de vêtements amples.
- 21 N'utilisez que les accessoires recommandés par le fabricant.

### RÉCIPIENT À POUSSIÈRE / FILTRES / ACCESSOIRES

Avant de mettre l'aspirateur en marche :

- 22 Assurez-vous que les filtres soient complètement secs après le nettoyage de routine.
- 23 Après avoir effectué l'entretien de routine, assurez-vous que le récipient à poussière et tous les filtres sont bien en place. Consultez la section ENTRETIEN pour lire les directives de nettoyage des filtres.
- 24 Assurez-vous que les accessoires sont libres de toute obstruction.
- 25 Utilisez seulement les filtres et accessoires fournis par SharkNinja Operating LLC. [À défaut de quoi, la garantie sera annulée.]

### NETTOYAGE GÉNÉRAL

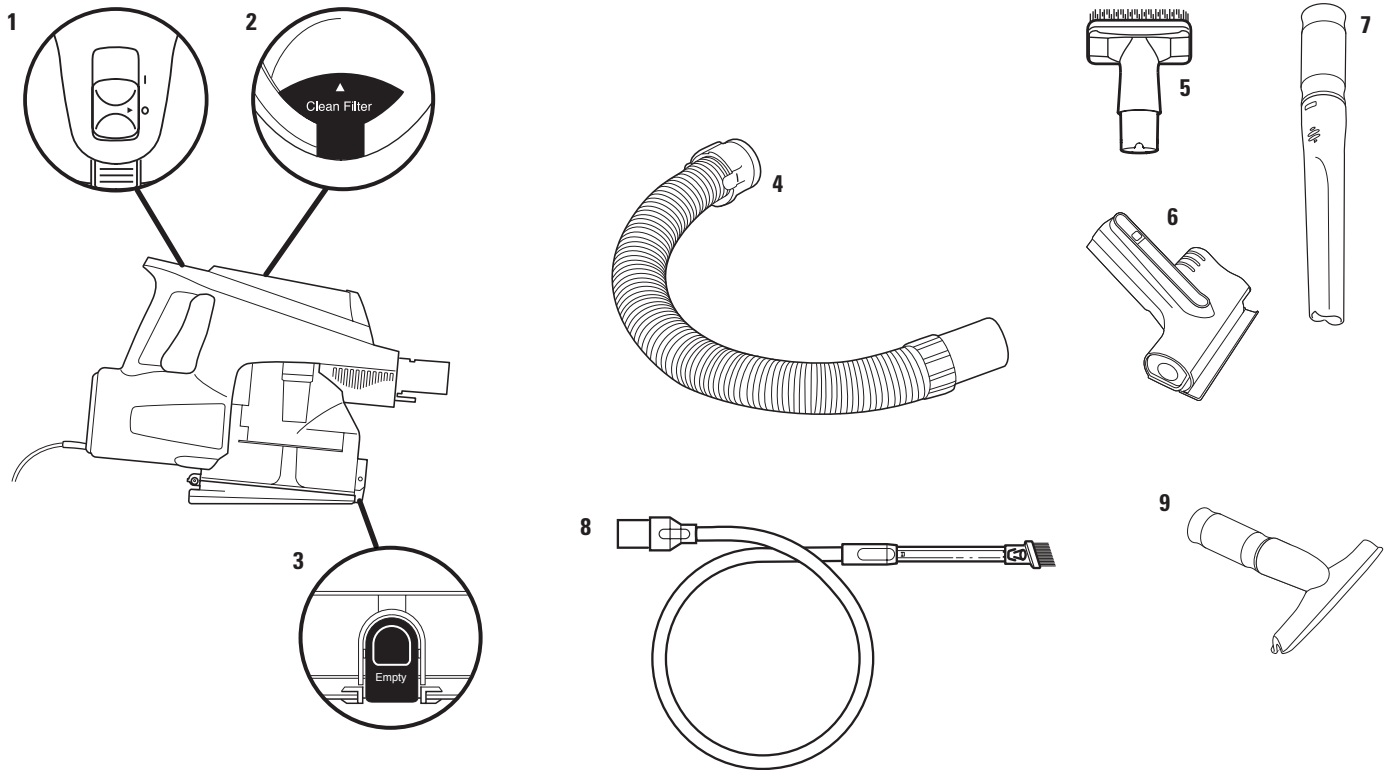
- 26 NE RAMASSEZ PAS de gros objets.
- 27 NE RAMASSEZ pas de gros objets ou des objets pointus comme du verre, des clous, des vis ou de la monnaie lesquels pourraient endommager l'aspirateur.
- 28 NE RAMASSEZ PAS d'objets chauds, fumants ou brûlants comme des cendres chaudes, bouts de cigarettes ou allumettes.
- 29 NE RAMASSEZ PAS de liquides inflammables ou combustibles tels que de l'essence à briquets, du carburant, du kérosène ou n'utilisez pas l'aspirateur dans des endroits où ces produits peuvent être présents.
- 30 NE RAMASSEZ PAS de solutions toxiques telles que de l'eau de javel, de l'ammoniac ou du nettoyeur à drains
- 31 N'UTILISEZ PAS dans des endroits clos où il y a des vapeurs provenant de la peinture, des diluants à peinture, des substances antimites, de la poussière inflammable ou tout autre matériel explosif ou toxique.
- 32 NE PASSEZ PAS l'aspirateur sur aucun liquide.
- 33 NE PLONGEZ PAS l'aspirateur dans l'eau ou tout autre liquide.
- 34 N'UTILISEZ PAS à l'extérieur ou sur des surfaces mouillées; utilisez uniquement sur des surfaces sèches.
- 35 Soyez extrêmement prudent lorsque vous nettoyez les escaliers.
- 36 NE RAMASSEZ PAS la poussière de plâtre.

## CONSERVEZ CES INSTRUCTIONS

### FICHE POLARISÉE

Pour réduire le risque de chocs électriques, cet appareil possède une fiche polarisée (une lame est plus large que l'autre). Par mesure de sécurité, cette fiche ne peut être insérée que d'un seul côté dans une prise polarisée. Si la fiche ne s'insère pas complètement dans la prise de courant, inversez-la. Si cela ne fonctionne toujours pas, contactez un électricien qualifié. NE FORCEZ PAS ou ne modifiez pas la fiche pour la brancher dans une prise murale.





### UNITÉ PRINCIPALE

- 1 Interrupteur Marche/Arrêt
- 2 Accès au filtre
- 3 Bouton Dust Cup Empty

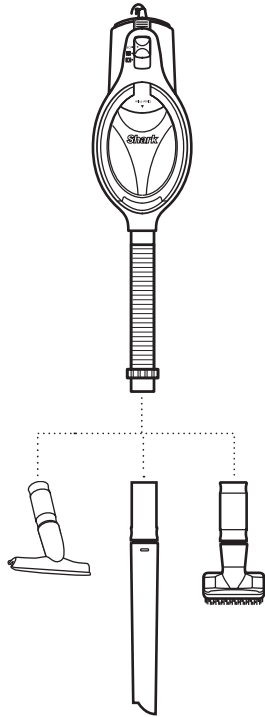
### ACCESSOIRES

- 4 Tuyau souple
- 5 Brosse à épousseter
- 6 Brosse motorisée pour poils d'animaux
- 7 Suceur plat de 12"
- 8 Ensemble de nettoyage complet pour la maison et l'automobile
- 9 Outil large pour les meubles rembourrés
- 10 Ensemble de filtres (non illustré) - XFFV300  
Avant-moteur (mousse et feutre)  
Après-moteur (feutre)

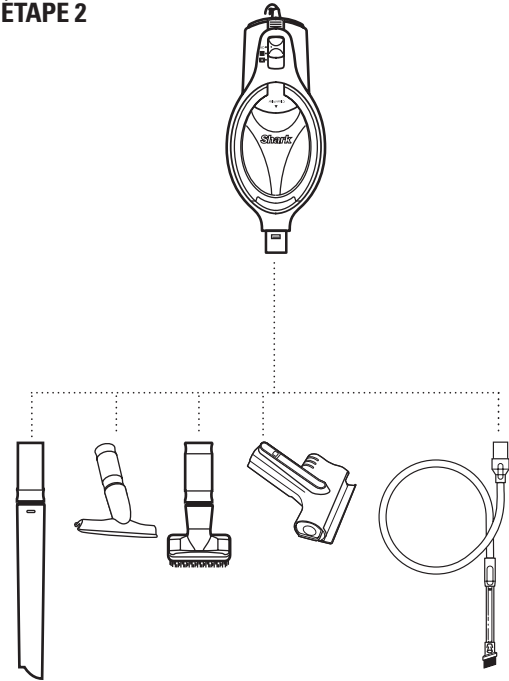
## NETTOYAGE AU-DELÀ DU SOL

Cet aspirateur comprend des accessoires polyvalents pour le nettoyage, y compris un tuyau souple pour une plus grande portée.

### ÉTAPE 1



### ÉTAPE 2



- 1** Fixez le tuyau souple et l'accessoire requis à l'aspirateur portatif.

**Remarque :** Il est impossible d'utiliser la brosse motorisée pour poils d'animaux avec le tuyau souple.

- 2** Enfoncez le bouton coloré situé sur le tube et tirez celui-ci pour le détacher de la partie portative. Fixez l'accessoire désiré à l'aspirateur.

Pour la liste des composants compris avec ce modèle, veuillez consulter le rabat intérieur de la boîte.

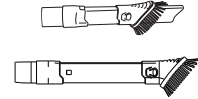
## ACCESSOIRES

Certains accessoires sont inclus.

**VOUS VOULEZ D'AUTRES?** Pour améliorer votre expérience de nettoyage, des accessoires supplémentaires sont disponibles à l'achat sur le site [www.sharkrocket.com](http://www.sharkrocket.com) ou par téléphone au 1.800.798.7398.

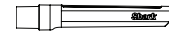
### Brosse à épousseter « Duster Crevice » (164FLIHV3)

Deux outils de nettoyage en un. Le suceur plat vous permet de rejoindre les petits espaces, alors que la brosse à épousseter nettoie une multitude de surfaces.



### Suceur plat 12 po (30 cm) (163FLIHV3)

Nettoyez entre les espaces étroits ou les plinthes et plafonds avec ce suceur plat allongé.



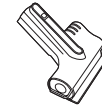
### Suceur plat flexible 18 po (46 cm) (228FFJV300)

S'étend et fléchit à une longueur de 18po pour rejoindre les coins, plinthes, espaces étroits ou plafonds. L'embout caoutchouté protège des égratignures.



### Brosse motorisée pour poils d'animaux (267FFJ292)

La puissance d'un aspirateur vertical dans la paume de votre main. Ramasse les poils d'animaux, les débris, et nettoie avec puissance les pellicules ou squames d'animaux de vos fauteuils ou toutes autres surfaces.



### Tuyau flexible (290FFJ321)

Étirez et fléchissez ce tuyau flexible pour nettoyer autour des objets et rejoindre les espaces difficiles d'accès. Attachez le suceur plat ou autre accessoire selon vos besoins de nettoyage.



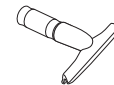
### Outil pour les meubles rembourrés (166FLIHV3)

Idéal pour amasser les poils d'animaux ou charpie (peluche) de vos meubles ou autres surfaces d'ameublement.



### Outil large pour les meubles rembourrés (165FLIHV3)

Parfait pour attraper les poils d'animaux et peluches de votre ameublement, sommiers ou autres surfaces.



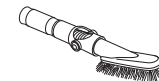
### Brosse à épousseter (229FFJV300)

Super pour épousseter une multitude de surfaces telle que les étagères, tables, plinthes, fenêtre/cadre de porte, et bien plus. Pivotez la tête de brosse pour ajuster l'angle selon la surface à nettoyer.



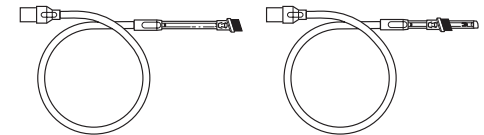
### Brosse à épousseter à angles multiples (137FLIV300)

Brosse douce à épousseter et à 5 positions pour nettoyer les étagères (droite ou vers le bas), persiennes, murs, ventilateurs de plafond, ou luminaires. Ajustez l'angle selon la surface à nettoyer.



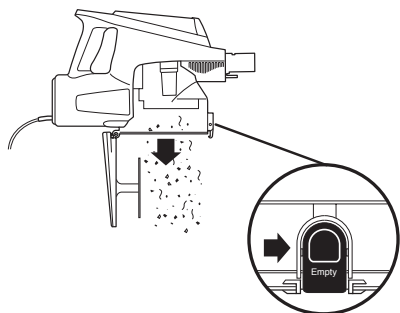
### Ensemble de nettoyage complet pour la maison et l'automobile (XCRDT292)

Les tubes de rallonge et les micro-outils nettoient dans les endroits très restreints.



## ENTRETIEN

Pour assurer la puissance d'aspiration optimale de l'appareil, respectez ces directives. Assurez-vous que l'appareil soit éteint et le cordon débranché.

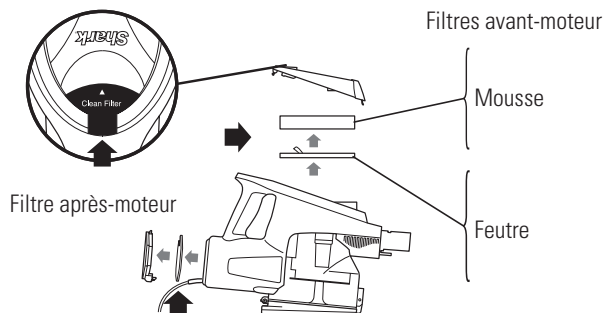


### VIDANGE LE RÉCIPIENT À POUSSIÈRE

- 1 Assurez-vous que le récipient à poussière est au-dessus d'un contenant ou d'un sac à ordures, puis enfoncez le bouton de déclenchement sur le devant du récipient à poussière. Le couvercle inférieur s'ouvrira et relâchera les débris.

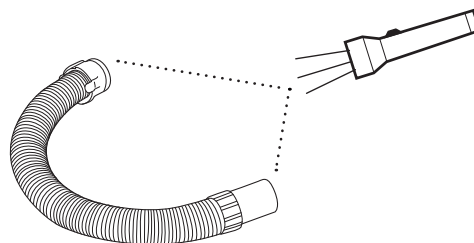
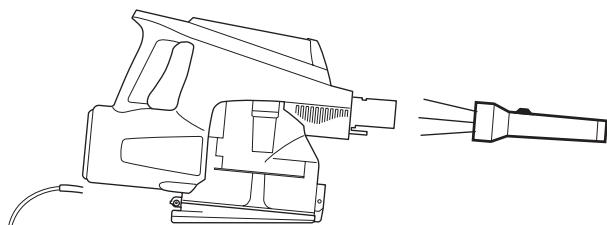
**REMARQUE:** Nettoyez la grille antipoussière du récipient au besoin.

- 2 Une fois la coupelle à poussière vidée, fermez le couvercle inférieur jusqu'à ce que vous entendiez un clic.
- REMARQUE:** Vider les débris de la coupe de la poussière une fois qu'il a atteint la ligne de remplissage MAX.



### NETTOYAGE LES FILTRES

- 3 Soulevez le verrou supérieur de la section portable de l'aspirateur pour accéder aux filtres avant-moteur.
- 4 Retirez les filtres et lavez-les à la main tous les mois. Laissez-les sécher complètement. Au besoin, tapez doucement les filtres pour déloger les saletés entre les nettoyages. Insérez d'abord le filtre de feutre, puis le filtre de mousse par-dessus.
- 5 L'accès au filtre après-moteur est situé sous la poignée. Retirez et lavez le filtre à la main une fois par an. Laissez sécher à l'air complètement avant de remplacer.



### INSPECTEZ L'APPAREIL POUR DÉTECTER LES BLOCAGES

- 1 Éteignez et débranchez l'aspirateur.
- 2 Vérifiez toutes les entrées du récipient à poussière
- 3 Vérifiez les deux extrémités du tuyaux souple pour détecter tout blocage.

La section « Support » du site Web [www.sharkrocket.com](http://www.sharkrocket.com) comprend des vidéos éducatives présentant des conseils pratiques sur l'utilisation des accessoires.

## GUIDE DE DÉPANNAGE

### L'aspirateur n'aspire pas les saletés. Suction faible ou inexistante.

- Inspectez les filtres pour vérifier s'il faut les nettoyer. Nettoyez et séchez les filtres en respectant les instructions avant de réinsérer ceux-ci dans l'aspirateur.
- Le récipient à poussière est peut-être plein; videz-le.
- Vérifiez accessoires pour les blocages si nécessaire.

### L'aspirateur s'éteint de lui-même.

- Cet appareil est doté d'un thermostat de protection du moteur. Si pour quelque raison votre aspirateur surchauffait, le thermostat éteindrait automatiquement l'appareil. Si cela se produit, effectuez les étapes suivantes pour réinitialiser le thermostat du moteur :
  1. Éteignez l'aspirateur.
  2. Débranchez l'aspirateur.
  3. Videz le récipient à poussière et nettoyez les filtres.
  4. Vérifiez s'il y a des obstructions dans le tuyau, dans les accessoires et dans les orifices d'entrée.
  5. Laissez refroidir l'appareil pendant au moins 30 minutes.
  6. Branchez l'aspirateur.
  7. Redémarrez l'appareil en le mettant sous tension.

## GARANTIE LIMITÉE DE CINQ (5) ANS

SharkNinja Operating LLC garantit ce produit contre toute défectuosité de matériel ou de main-d'œuvre pour une période de cinq (5) ans à compter de la date d'achat lors d'utilisation dans le cadre d'un usage domestique normal, sujet aux conditions, exclusions et exceptions suivantes.

La responsabilité d'SharkNinja Operating LLC est limitée au coût de réparation ou de remplacement de l'appareil, à sa seule discrétion. Cette garantie limitée ne couvre pas l'usure normale des pièces et ne s'applique pas aux appareils ayant été altérés ou utilisés à des fins commerciales. Cette garantie limitée ne couvre pas les dommages causés par une mauvaise utilisation, l'abus, la négligence lors de la manipulation, un emballage inadéquat ou la mauvaise manipulation en transit. Cette garantie limitée ne couvre pas les dommages ou défauts causés par ou résultants du transport, des réparations, de l'entretien ou de l'altération du produit ou à ses pièces, effectués par un technicien non autorisé par SharkNinja Operating LLC.

Si votre appareil ne fonctionne pas comme il le devrait lors d'un usage domestique normal pendant la période de garantie, vous pouvez le retourner au complet avec ses accessoires, port payé. Pour obtenir de l'assistance avec les options du service de la garantie ou de l'assistance, veuillez appeler notre service à la clientèle et nos spécialistes de produits au 1-800-798-7398 ou visitez notre site Web à [www.sharkrocket.com](http://www.sharkrocket.com).

Si SharkNinja Operating LLC constate que l'appareil est défectueux, à la seule discrétion d'SharkNinja Operating LLC, nous le réparerons ou le remplacerons sans frais. Une preuve d'achat est requise et un montant de 19,95 \$ est nécessaire pour couvrir les frais de retour.\*

Les accessoires d'usage courant incluant, mais sans s'y limiter, les filtres, les brosses et les pièces électriques qui nécessitent habituellement un remplacement sont spécifiquement exclus de la garantie. Cette garantie limitée s'applique à l'acheteur original de l'appareil et exclut toutes les autres garanties juridiques, implicites ou conventionnelles. La responsabilité d'SharkNinja Operating LLC, s'il y en a une, se limite aux obligations spécifiques exprimées sous cette garantie limitée. En aucun cas, SharkNinja Operating LLC ne peut être tenu responsable d'incidents ou de dommages indirects de toute nature que ce soit. Certains États ou provinces n'autorisent pas l'exclusion ou la limitation de dommages circonstanciels ou consécutifs, dans ce cas, cette disposition ne s'appliquerait pas.

Cette garantie limitée vous confère des droits juridiques spécifiques, et d'autres droits légaux vous sont peut-être disponibles, variant d'un État à l'autre ou d'une province à l'autre.

\*IMPORTANT : Emballez soigneusement l'appareil pour éviter tout dommage lors du transport. Assurez-vous de joindre la preuve d'achat et d'attacher à l'appareil une étiquette mentionnant votre nom, adresse complète ainsi que le numéro de téléphone, de même que l'information concernant l'achat, le numéro de modèle et le problème, selon vous, de l'appareil. Nous vous recommandons d'assurer votre colis (puisque les dommages lors du transport ne sont pas couverts par la garantie). Indiquez sur l'extérieur de votre colis « ATTENTION SERVICE À LA CLIENTÈLE ».

Shark et Rocket sont des marques déposées d'SharkNinja Operating LLC.

TruePet et Hard Floor Genie sont des marques de commerce d'SharkNinja Operating LLC.



# MEDIDAS IMPORTANTES DE SEGURIDAD

Al usar aparatos eléctricos, siempre debe seguir precauciones básicas de seguridad, incluyendo las siguientes:

## ADVERTENCIA

### PARA REDUCIR EL RIESGO DE INCENDIO, DESCARGA ELÉCTRICA O DAÑOS PERSONALES:

- 1 NO la utilice en el exterior o en superficies húmedas.
- 2 Desenchúfela del tomacorriente cuando no la utilice y antes de limpiarla.
- 3 NO use la aspiradora si el cable o el enchufe están dañados. Si la aspiradora no funciona como debe, ha sufrido caídas, daños, se ha dejado en el exterior o caído en el agua, retórnala a SharkNinja Operating LLC para que sea examinada, reparada o ajustada.
- 4 NO arrastre o transporte la aspiradora tirando del cable ni use el cable como un mango.
- 5 NO la desenchufe tirando del cable; para desenchufarla, sostenga el enchufe, no el cable.
- 6 NO toque el enchufe o la aspiradora con las manos húmedas.
- 7 NO pase la aspiradora sobre el cable de alimentación, no apriete el cable al cerrar una puerta ni tire del cable a través de bordes filosos.
- 8 NO se recomienda el uso de un cable de extensión.
- 9 NO deje la aspiradora desatendida cuando esté enchufada.
- 10 Mantenga el cable alejado de superficies calientes.
- 11 Apague todos los controles antes de enchufar o desenchufar la aspiradora.

### USO GENERAL

- 12 Utilícela solamente como se indica en este manual.
- 13 NO introduzca ningún objeto en las ranuras. NO la use con ninguna abertura tapada; manténgalas libres de polvo, pelusa, pelos y cualquier otra cosa que pudiera reducir el flujo de aire.
- 14 Mantenga el área de trabajo bien iluminada.
- 15 NO coloque la aspiradora sobre superficies inestables como sillas o mesas.
- 16 NO permita que los niños pequeños usen la aspiradora o que se utilice como un juguete. Debe tener mucho cuidado al ser utilizada por o cerca de niños.
- 17 NO la utilice sin el recipiente de la tierra y/o los filtros instalados en su lugar.

### ACCESORIOS PARA LA MANGUERA

- 18 NO los use si el flujo de aire está restringido; si las aberturas de circulación de aire, la manguera o los accesorios se tapan, apague la aspiradora. Saque todas las obstrucciones antes de volver a encender la unidad.

- 19 Mantenga el extremo de la aspiradora a mano y las aberturas de los accesorios alejados de la cara y del cuerpo.
- 20 Mantenga las herramientas de limpieza y las aberturas de succión alejados del cabello, la cara, los dedos, los pies o ropa suelta.
- 21 Use únicamente los accesorios recomendados por el fabricante.

### RECIPIENTE PARA LA TIERRA/FILTROS/ACCESORIOS

Antes de encender la aspiradora:

- 22 Verifique que todos los filtros estén completamente secos luego de limpiarlos.
- 23 Verifique que el recipiente para la tierra y todos los filtros estén en su lugar luego de realizar el mantenimiento de rutina. Consulte la sección MANTENIMIENTO por instrucciones de limpieza del filtro.
- 24 Verifique que los accesorios no estén tapados.
- 25 Use únicamente filtros y accesorios proporcionados por SharkNinja Operating LLC. [El no hacerlo invalidará la garantía].

### LIMPIEZA GENERAL

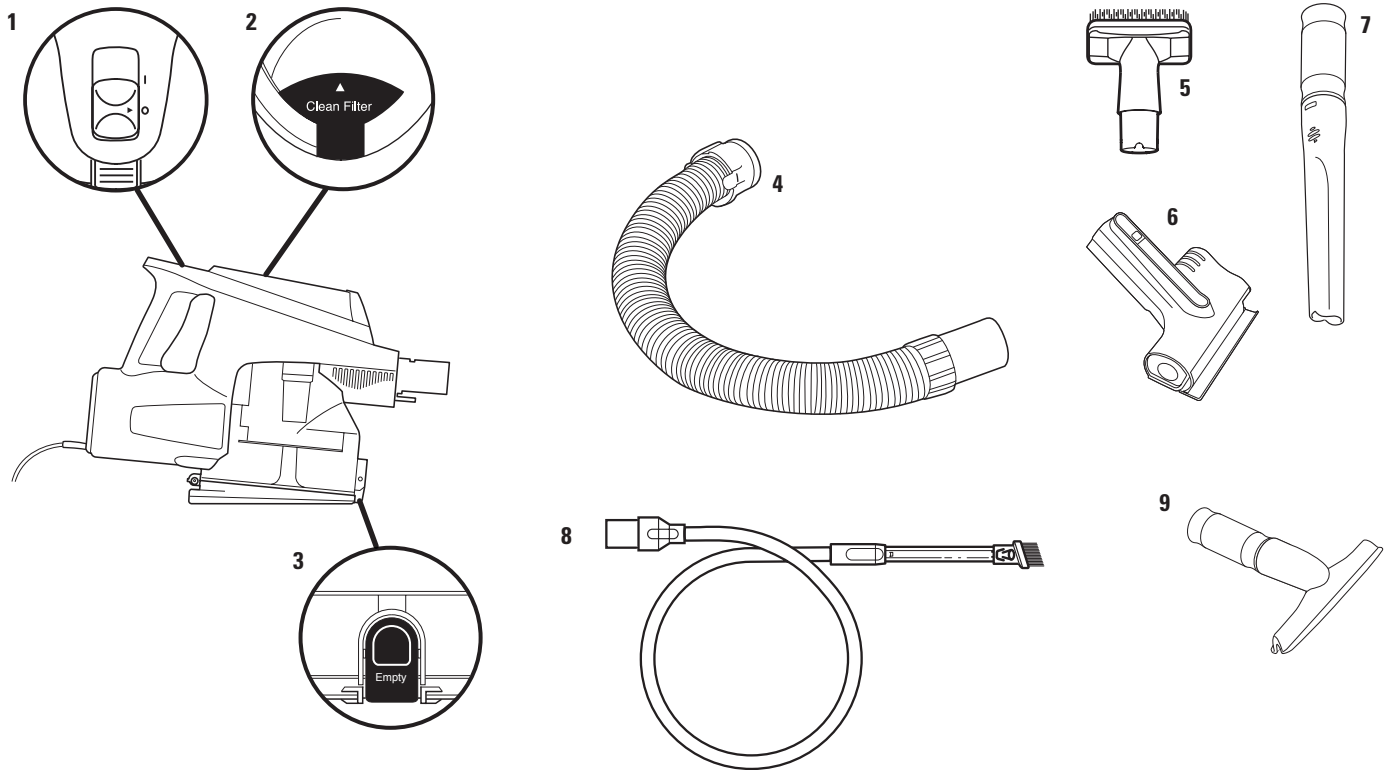
- 26 NO aspire objetos muy grandes.
- 27 NO aspire objetos duros o filosos como vidrios, clavos, tornillos, monedas, los que podrían dañar la aspiradora.
- 28 NO aspire objetos con fuego o humeantes tales como carbón caliente, colillas de cigarrillos o fósforos.
- 29 NO aspire materiales inflamables o combustibles como líquido para encendedor o queroseno, ni use la aspiradora en áreas en las cuales puedan estar presentes.
- 30 NO la use para aspirar soluciones tóxicas tales como lavandina, amoníaco o destapa cañerías.
- 31 NO la use en lugares cerrados y con vapores de pintura, diluyente de pintura, sustancias antipolilla, polvo inflamable u otros materiales explosivos o tóxicos.
- 32 NO aspire ningún líquido.
- 33 NO sumerja la aspiradora en agua o ningún otro líquido.
- 34 NO la use en el exterior o en superficies mojadas; úsela únicamente en superficies secas.
- 35 Tenga especial cuidado al limpiar escaleras.
- 36 No recoja polvo de yeso.

## CONSERVE ESTAS INSTRUCCIONES

### ENCHUFE POLARIZADO

Para reducir el riesgo de una descarga eléctrica, esta aspiradora posee un enchufe polarizado (una pata es más ancha que la otra). Como medida de seguridad, este cable entrará únicamente en un tomacorriente polarizado. Si el enchufe no entra completamente en el tomacorriente, inviértalo. Si aún no entra, llame a un electricista calificado. NO lo fuerce dentro del tomacorriente ni trate de modificarlo para que calce.

## CONOCER SU ASPIRADORA DE MANO SHARK® ROCKET®



### PARTE SUPERIOR

- 1 Controles de Encendido
- 2 Acceso a los filtros
- 3 Botón Dust Cup Empty

### ACCESORIOS

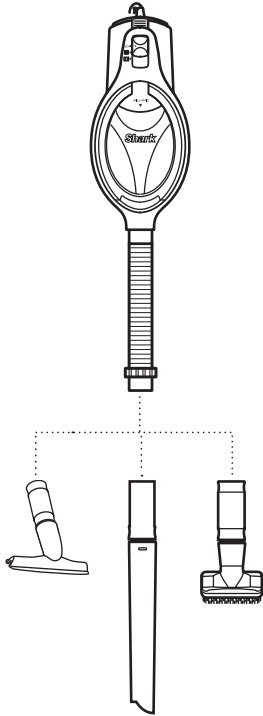
- 4 Manguera flexible
- 5 Cepillo limpiadore
- 6 Cepillo motorizado para pelo de mascota
- 7 Cabezal esquinero de 12"
- 8 Kit de herramientas para la casa y el carro
- 9 Amplia Herramienta ancha para tapicería
- 10 Juego de filtros (no ilustrado) - **XFFV300**  
De entrada (Espuma & Fieltra)  
De salida (Fieltra)



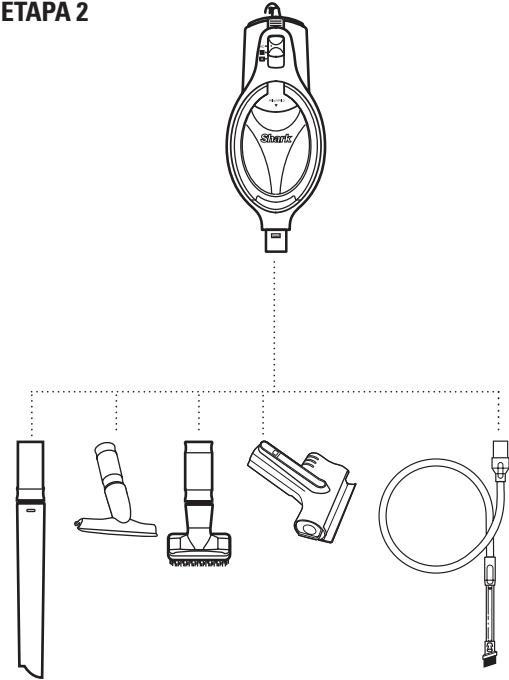
## PARA LIMPIAR POR ENCIMA DEL PISO

Esta aspiradora tiene accesorios versátiles de limpieza, incluyendo una manguera flexible para extender su alcance de limpieza.

### ETAPA 1



### ETAPA 2



- 1 Coloque la manguera flexible en la aspiradora de mano. Coloque el accesorio de limpieza deseado.

**Nota:** El cepillo eléctrico para pelo de mascotas no se puede usar con la manguera flexible.

- 2 Presione el botón de color del extremo del tubo y tire para desconectarlo de la parte portátil. Coloque el accesorio de limpieza deseado.

Por una lista de lo que viene incluido con este modelo, consulte la pestaña interna de la caja.

Puede encontrar los videos de instrucciones en la sección de Soporte de [www.sharkrocket.com](http://www.sharkrocket.com) con consejos prácticos acerca de cómo usar los accesorios.



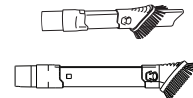
## ACCESORIOS

Algunos accesorios de limpieza están incluidos.

**QUÉ SE NECESITA MÁS?** To enhance your cleaning experience, additional accessories are available for purchase at [www.sharkrocket.com](http://www.sharkrocket.com) or by calling 1.800.798.7398.

### Boquillas quila polvo (164FLIHV3)

Dos herramientas de limpieza en uno. La boquilla para aspirar rincones y ranuras le brinda una mejor limpieza en espacios pequeños mientras que el cepillo quita polvo limpia una multitud de superficies.



### 12" Boquilla para rincones y ranuras (163FLIHV3)

Esta herramienta se utiliza para la limpieza espacios reducidos o zócalos y techos.



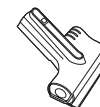
### Boquilla flexible para rincones y ranuras de 18" (228FFJV300)

Esta herramienta se extiende 18 pulgadas para un mejor acceso en las esquinas, zócalos y techos. La punta de goma evita danos en las superficies.



### Cepillo motorizado para pelo de mascota (267FFJ292)

En la palma de su mano ud cuenta con el poder de succión de una aspiradora de tamaño normal. Recoje pelos de mascotas, residuos sueltos y aspira profundamente el polvo de los muebles.



### Tubo Flexible (290FFJ321)

Estire y flexione esta manguera de extensión para limpiar alrededor de los objetos y entrar en espacios de difícil acceso. Ud puede conectar cualquier boquilla u otro accesorio dependiendo de lo que está limpiando.



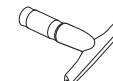
### Herramienta ancha para tapicería (166FLIHV3)

Perfecta para aspirar colchones y otras superficies tapizadas.



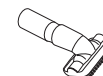
### Amplia Herramienta ancha para tapicería (165FLIHV3)

Perfecta para aspirar colchones y otras superficies tapizadas.



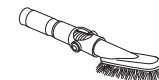
### Cepillo quita Polvo (229FFJV300)

Ideal para remover el polvo de multiples superficies como estantes, mesas, topes, marcos de ventanas y/o puertas y mucho mas. Doble la cabeza del cepillo para ajustar el angulo mientras limpia el area.



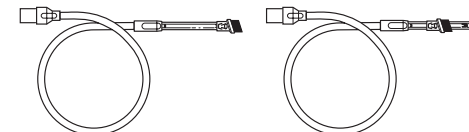
### Cepillo quita Polvo Multi-Angulo (137FLIV300)

Este cepillo posee 5 posiciones para la limpieza de estantes, persianas, paredes, ventiladores de techo, lámparas (orientación ascendente o descendente) Ajuste el angulo de este cepillo para la limpieza de la superficie deseada.



### Kit de herramientas para la casa y el carro (XCRDT292)

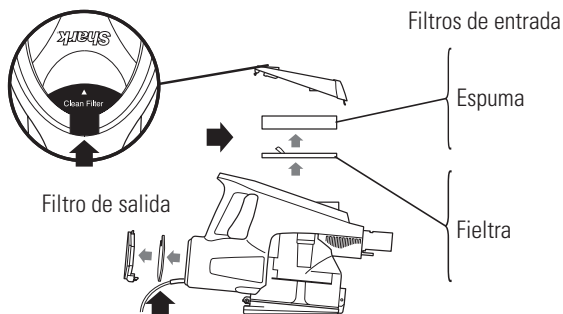
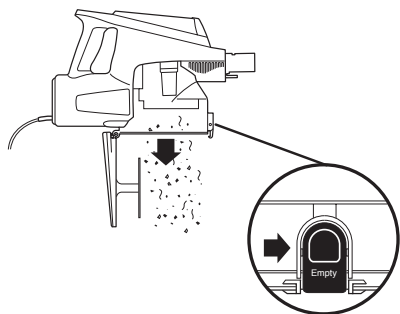
Tubos de extensión y micro herramientas para la limpieza de espacios reducidos



## MANTENIMIENTO

To keep your vacuum's suction power optimal, follow these instructions.

Make sure unit is off and cord unplugged.



### VACIADO DEL RECIPIENTE DE LA TIERRA

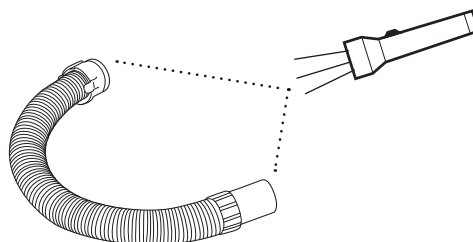
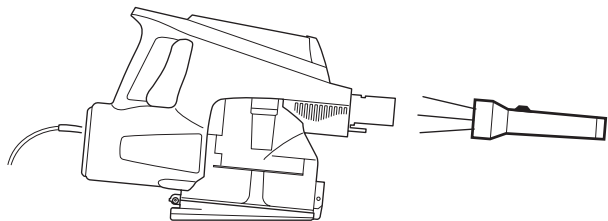
- 1 Con el recipiente para la tierra sobre un cesto o bolsa para la basura, presione el botón de liberación que está en el frente del recipiente para la tierra. Se abrirá la tapa de abajo, permitiendo que los residuos caigan en la basura.
- 2 Cuando termine de vaciar el recipiente, cierre la tapa inferior hasta que escuche que se trabe en su lugar.

**NOTA:** Limpie la rejilla que está dentro del recipiente para la tierra si fuera necesario.

**NOTE:** Empty debris from the dust cup once it has reached the MAX fill line.

### LIMPIE LOS FILTROS

- 3 Acceda a los filtros al levantar el pestillo de la parte superior de la aspiradora.
- 4 Saque y enjuague el filtro de espuma y el filtro de fieltro cada mes. Lávelos a mano únicamente. Deje que se sequen completamente al aire antes de volver a instalarlos. Sacuda la basura de los filtros entre lavados si es necesario. Coloque primero el filtro de fieltro y luego el de espuma arriba de él.
- 5 Remuévalo y enjuáguelo una vez por año. Lávelo a mano únicamente. Deje que se seque completamente al aire antes de volver a instalarlo.



### VERIFICACIÓN DE OBSTRUCCIONES

- 1 Apague y desenchufe la aspiradora.
- 2 Revise todas las aberturas de entrada del recipiente para la tierra.
- 3 Revise ambos extremos de la manguera flexible para verificar que no haya ninguna obstrucción.

## GUÍA DE DIAGNÓSTICO DE PROBLEMAS

### La aspiradora no levanta la tierra. No hay succión o es muy baja.

- Revise si hay que limpiar los filtros. Siga las instrucciones para enjuagar y secar los filtros antes de volver a instalarlos en la aspiradora.
- El recipiente de la tierra puede estar lleno; vacíelo.
- Revise accesorios para bloqueos y claro, si es necesario.

### La aspiradora se apaga sola.

- Esta unidad está equipada con un termostato de protección del motor. Si la aspiradora se sobrecalienta por cualquier motivo, el termostato la apagará automáticamente. Si pasa eso, siga los siguientes pasos para reiniciar el termostato del motor:
  1. Apague la unidad.
  2. Desenchufe la aspiradora.
  3. Vacíe el recipiente para la tierra y limpie los filtros.
  4. Revise que la MANGUERA, los accesorios y las entradas de aire no estén tapados.
  5. Permita que la unidad se enfríe durante 30 minutos como mínimo.
  6. Enchufe la aspiradora.
  7. Vuelva a encender la unidad con la llave de encendido.

## GARANTÍA LIMITADA DE CINCO (5) AÑOS

SharkNinja Operating LLC garantiza este producto contra defectos de materiales y mano de obra por un término de cinco (5) años a partir de la fecha de compra original, siempre que sea utilizado para uso doméstico normal, sujeto a las siguientes condiciones, exclusiones y excepciones.

La responsabilidad de SharkNinja Operating LLC se limita únicamente al costo de reparación o reemplazo de la unidad, a nuestro criterio. Esta garantía limitada no cubre el desgaste normal de las partes y no cubre ninguna unidad que haya sido alterada o utilizada con fines comerciales. Esta garantía limitada no cubre daños ocasionados por uso inadecuado, abuso, negligencia o daños causados por embalaje inapropiado o maltrato durante el transporte. Esta garantía limitada no cubre daños o defectos causados o resultantes durante el transporte para su reparación o alteraciones del producto o cualquiera de sus partes, realizadas por una persona no autorizada por SharkNinja Operating LLC.

Si su artefacto no funciona correctamente al utilizarlo bajo condiciones domésticas normales dentro del período de garantía, puede devolver el artefacto completo y los accesorios, junto con un comprobante de la fecha de compra, pagando los gastos de envío. Por asistencia con opciones del servicio de garantía o para soporte al cliente, llame a nuestro centro de atención al cliente y especialistas de productos al 1-800-798-7398 o visite nuestro sitio web en [www.sharkrocket.com](http://www.sharkrocket.com).

Si SharkNinja Operating LLC determina que el artefacto presenta un defecto, lo reparará o reemplazará sin cargo, a su criterio. Se requiere comprobante de compra y se aplica un cargo de \$19.95 para cubrir el costo del envío de vuelta.

Los insumos tales como, sin limitación, filtros, cepillos y partes eléctricas que normalmente necesitan ser reemplazados son explícitamente excluidos de la garantía.

Esta garantía limitada es válida para el comprador original del producto y excluye cualquier otra garantía legal, implícita y/o convencional. La responsabilidad de SharkNinja Operating LLC, de existir, se limita a las obligaciones específicas asumidas expresamente bajo los términos de esta garantía limitada. Bajo ninguna circunstancia SharkNinja Operating LLC será responsable por daños incidentales o indirectos a cualquiera, de ninguna clase. Algunos estados no permiten la exclusión o limitación de daños consiguientes o incidentales, por lo tanto lo anterior puede no ser válido para usted.

Esta garantía limitada le otorga derechos legales específicos, y usted puede también tener otros derechos los que varían de estado a estado o de provincia a provincia.

**\*IMPORTANTE:** Embale el producto cuidadosamente para evitar daños durante el transporte. Asegúrese de incluir un comprobante de la fecha de compra y de colocarle una etiqueta al producto con su nombre, dirección completa y número de teléfono, una nota proporcionando información de la compra, número de modelo y una descripción del problema. Le recomendamos asegurar el paquete (puesto que la garantía no cubre daños de envío). Escriba en el exterior del paquete "ATTENTION CUSTOMER SERVICE".



## NOTES





**For Shark | Ninja U.S. Patent information visit  
[www.sharkninja.com/USPatents](http://www.sharkninja.com/USPatents)**

Illustrations may differ from actual product. We are constantly striving to improve our products, therefore the specifications contained herein are subject to change without notice.

**Pour des renseignements sur les brevets de Shark | Ninja aux É.-U., veuillez  
visiter [www.sharkninja.com/USPatents](http://www.sharkninja.com/USPatents)**

Les illustrations peuvent différer du produit réel. Nous essayons constamment d'améliorer nos produits, donc les clauses contenues dans ce document peuvent changer sans préavis.

**Por información acerca de las patentes en EE.UU. de Shark | Ninja,  
visita [www.sharkninja.com/USPatents](http://www.sharkninja.com/USPatents)**

El dibujo puede no ser igual al producto real. Nosotros nos esforzamos constantemente en mejorar nuestros productos, por lo tanto las especificaciones aquí indicadas pueden cambiar sin previo aviso.




# Shark®

**WE WANT TO HEAR  
FROM YOU!**

**NOUS VOULONS VOUS  
ENTENDRE!**

**QUEREMOS SABER  
DE USTED!**

 [www.sharkrocket.com](http://www.sharkrocket.com)

 1.800.798.7398

**JOIN THE  
CONVERSATION**

**PARTICIPER À LA  
CONVERSATION**

**ÚNASE A LA  
CONVERSACIÓN**



@sharkcleaning

**WATCH AND LEARN  
MORE**

**REGARDER ET  
APPRENDRE PLUS**

**OBSERVER Y  
APRENDER MÁS**



[youtube.com/shark](http://youtube.com/shark)

