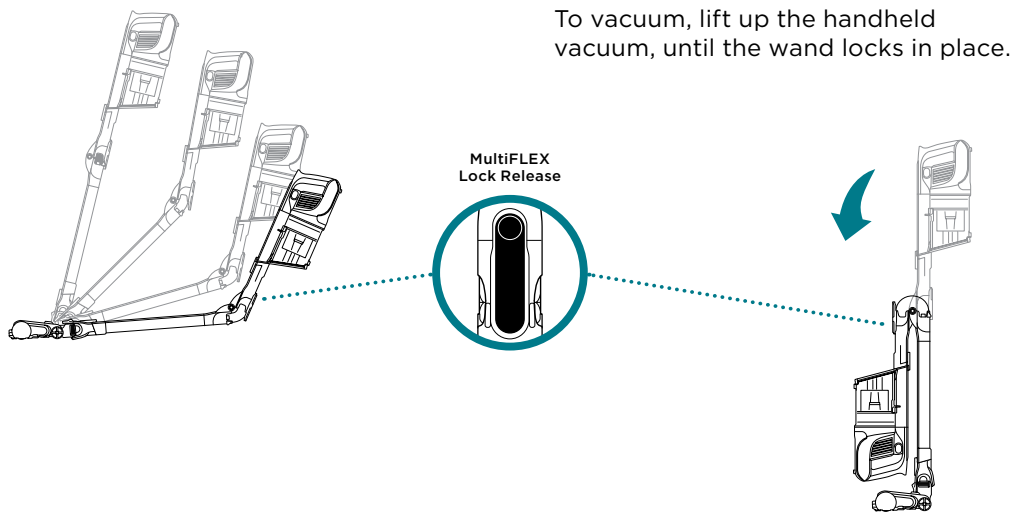


MULTIFLEX® REACH

Press the MultiFLEX Lock Release button to lower the angle of the wand to increase your reach.



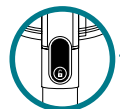
MULTIFLEX STORAGE

To store, press the MultiFLEX Lock Release button and fold the handheld vacuum forward.

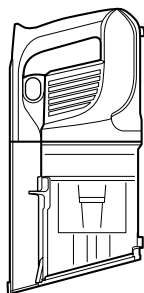
To vacuum, lift up the handheld vacuum, until the wand locks in place.

EMPTYING THE DUST CUP

1. To empty the dust cup, first disconnect the handheld vacuum from the wand by pressing the Wand Release button and pulling up on the handheld vacuum.



Wand Release Button



2. Position the dust cup over a trash bin and slide the CleanTouch™ Dirt Ejector Button forward.



CleanTouch
Dirt Ejector
Button



Please make sure to read the enclosed Shark® Owner's Guide prior to using your vacuum.

Shark® ROCKET®

CORDLESS MULTIFLEX®

QUICK START GUIDE

For questions, visit us online
at sharkclean.com/support

Register your vacuum at
registeryourshark.com



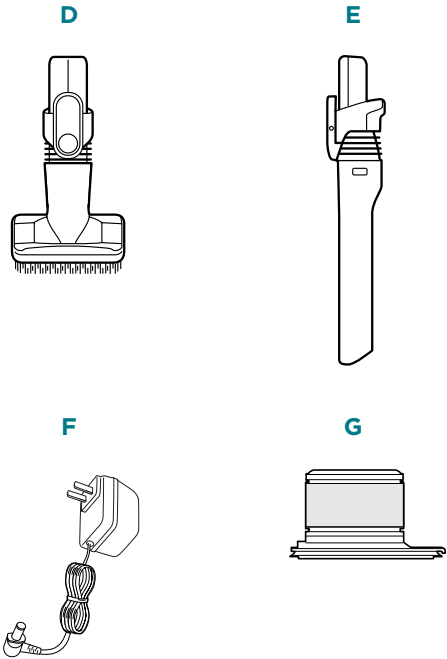
Shark



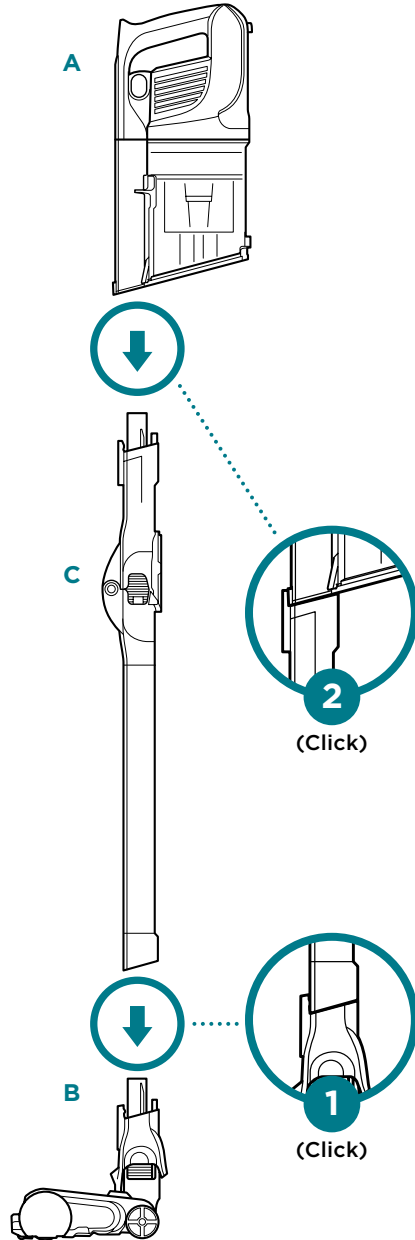
@sharkcleaning

WHAT'S INSIDE:

- A** Handheld Vacuum
- B** Dirt Engage™ Floor Nozzle
- C** MultiFLEX® Wand
- D** Dusting Brush
- E** 8" Crevice Tool
- F** Li-Ion Charger
- G** Post-Motor Filter (Pre-Installed)

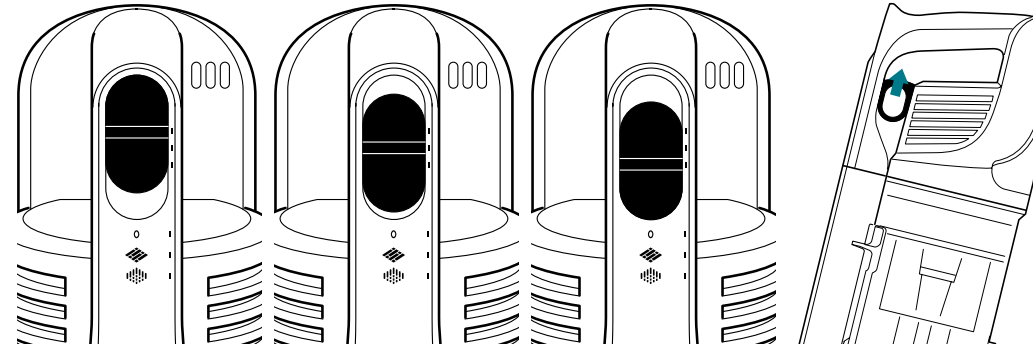


ASSEMBLY



For complete maintenance instructions, see the enclosed Owner's Guide.
 For additional parts and accessories, visit sharkaccessories.com.
 For additional batteries and charging accessories, visit sharkclean.com/batteries.

POWER SETTINGS



OFF	BARE FLOOR SETTING	CARPET SETTING	BOOST MODE
Slide switch to the top to turn off power. To begin vacuuming in Standard Mode , slide switch to the appropriate setting.	Bare Floor/Area Rugs Slide switch to the middle. The brushroll spins slowly to clean bare floors and small area rugs.	Carpet Slide switch to the bottom. The brushroll spins faster to pick up debris below the surface of your carpets.	For an added boost in power, pull the Trigger on the handheld vacuum. Release it to return to standard power.

NOTE: For deep cleaning per ASTM F 608 (embedded dirt in carpets) please select the Carpet setting and pull the trigger to go into Boost mode.

NOTE: Select Carpet setting for stuck-on dirt and debris.

LI-ION BATTERY

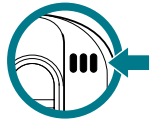
In Use



Charging



NOTE: Full charge takes approximately 3 hours.

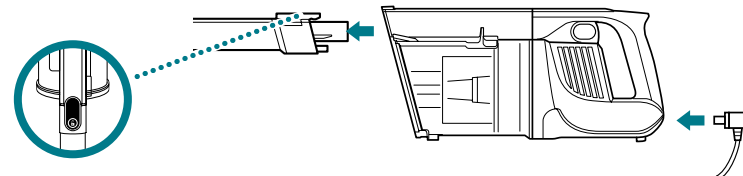


Battery Indicator Lights

NOTE: The battery comes partially charged. Charge fully before first use.

CHARGING

To charge, remove the handheld vacuum from the wand by pressing the Wand Release button and pulling up. Plug the charger into the charging port.



Battery Runtime

MODE	MINUTES
Hand Vac	40
Bare Floor/Standard Mode	25
Carpet Mode/Standard Mode	20
Boost Mode (Hand Vac)	10