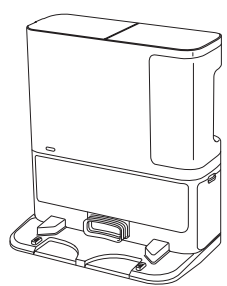


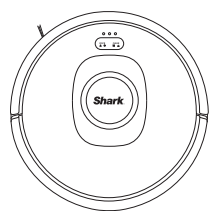
Shark

RV2300S/RV2300AE Series

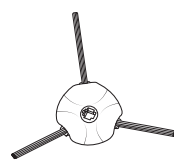
WHAT'S INCLUDED:



Auto-Empty Base (1x)



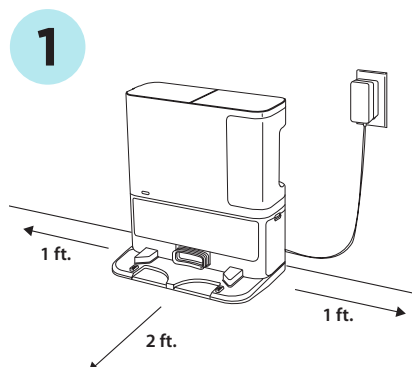
Robot (1x)



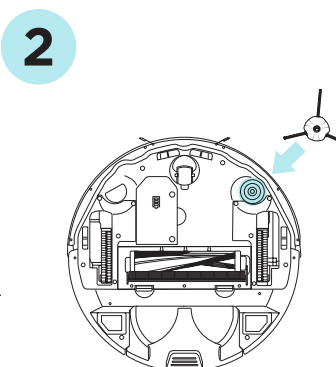
Side Brush (quantity varies)

LET'S GET CLEANING

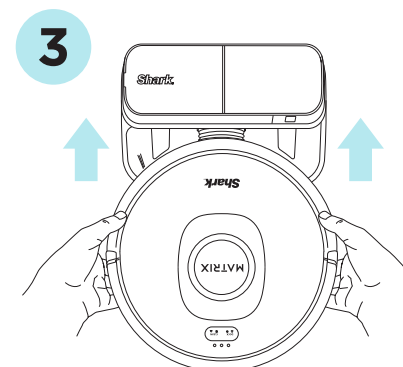
Remove all parts and accessories from the box and discard any protective plastic before set-up.



Plug in Your Base



Flip robot over and install side brush by aligning with peg and clicking into place



Align Charging Contacts and Slide onto Base



Download & Explore the **SharkClean** App



Get Cleaning!

FOR ASSISTANCE, PLEASE CALL OUR DEDICATED TEAM AT **+1-888-668-9600** OR SCAN:



- Getting Started Video
- How-To Videos
- Full Instructions
- Troubleshooting and FAQs
- Maintenance
- Replacement Parts

To learn more about your robot visit sharkclean.com/support

HELPFUL HINTS

Base Set-Up

- Place the base on a flat, level **hard floor surface** in a location with a strong Wi-Fi signal.
- Make sure the **base is at least 2 feet away from any carpeted surface**, with at least 2 feet of clearance in front and 1 foot on both sides.
- Plug in the base. The LED will turn green when it is powered on.

Robot Install

Orient the robot to align its charging contacts with the base charging contacts. The base LED will be solid blue when the robot is charging.

Auto Evacuation

After 10-15 seconds on the base, your robot will begin to evacuate into the base. This is normal for your self-empty base.

Wi-Fi Connection

Hold down the **DOCK** button on the robot for 5-7 seconds to activate pairing mode.

© 2025 SharkNinja Operating LLC. SHARK is a registered trademark of SharkNinja Operating LLC. APPLE, the Apple logo, and iPhone are trademarks of Apple Inc., registered in the U.S. and other countries. APP STORE is a service mark of Apple Inc., registered in the U.S. and other countries. GOOGLE, GOOGLE ASSISTANT, GOOGLE PLAY, the Google Play logo, and Android are trademarks of GOOGLE LLC.

RV2300S_RV2300AE_PKG_INSRT_QSG_MP_MV10