

Shark® Cordless Clean & Empty BU3000 Series

IMPORTANT SAFETY INSTRUCTIONS

 **WARNING: TO REDUCE THE RISK OF INJURY, USER MUST READ INSTRUCTION MANUAL • HOUSEHOLD USE ONLY**

WARNING When using an electrical appliance, to reduce the risk of fire, electric shock, injury, or property damage, basic precautions should always be followed, including the following:

1. This vacuum consists of a motorized nozzle, wand, and handheld vacuum. These components contain electrical connections, electrical wiring, and moving parts that potentially present risk to the user.
 2. Before each use, carefully inspect all parts for any damage. If a part is damaged, discontinue use.
 3. Use only identical replacement parts.
 4. This vacuum contains no serviceable parts.
 5. Use only as described in this manual. **DO NOT** use the vacuum for any purpose other than those described in this manual.
 6. With the exception of the filters and dust cup, **DO NOT** expose any parts of the vacuum to water or other liquids.
 7. Keep the appliance and its cord out of reach of children. **DO NOT** allow the appliance to be used by children. **DO NOT** allow to be used as a toy. Close supervision is necessary when used near children.
- #### GENERAL USE
8. This appliance can be used by persons with reduced physical, sensory, or mental capabilities or lack of experience and knowledge if they have been given supervision or instruction concerning use of the appliance in a safe way and understand the hazards involved. Cleaning and user maintenance shall not be made by children.
 9. Always turn off the vacuum before connecting or disconnecting any current carrying hoses, motorized nozzles, chargers, batteries, or other electrical or mechanical parts.
 10. **DO NOT** handle plug or vacuum with wet hands.
 11. **DO NOT** use without dust cup, HEPA and pre-motor filters, and brushroll in place.
 12. Only use Shark® branded filters and accessories. Failure to do so will void the warranty.
 13. **DO NOT** put any objects into nozzle or accessory openings. **DO NOT** use with any opening blocked; keep free of dust, lint, hair, and anything that may reduce airflow.
 14. **DO NOT** use if nozzle or accessory airflow is restricted. If the air paths or the motorized floor nozzle become blocked, turn the vacuum off. Remove all obstructions before you turn on the unit again.
 15. Keep nozzle and all vacuum openings away from hair, face, fingers, uncovered feet, or loose clothing.
 16. **DO NOT** use if vacuum is not working as it should, or has been dropped, damaged, left outdoors, or dropped into water.
 17. Use extra care when cleaning on stairs.
 18. **DO NOT** leave the vacuum unattended while powered on.
 19. When powered on, keep the vacuum moving over the carpet surface at all times to avoid damaging the carpet fibers.
 20. **DO NOT** place vacuum on unstable surfaces such as chairs or tables.
 21. **DO NOT** use to pick up:
 - a) Liquids
 - b) Large objects
 - c) Hard or sharp objects (glass, nails, screws, or coins)
 - d) Large quantities of dust (including drywall, fireplace ash, or embers). **DO NOT** use as an attachment to power tools for dust collection.
 - e) Smoking or burning objects (hot coals, cigarette butts, or matches)
 - f) Flammable or combustible materials (lighter fluid, gasoline, or kerosene)
 - g) Toxic materials (chlorine bleach, ammonia, or drain cleaner)
 22. **DO NOT** use in the following areas:
 - a) Poorly lit areas
 - b) Wet or damp surfaces
 - c) Outdoor areas
 - d) Spaces that are enclosed and may contain explosive or toxic fumes or vapors (lighter fluid, gasoline, kerosene, paint, paint thinners, mothproofing substances, or flammable dust)
 23. Turn off the vacuum before plugging in or unplugging the charger.
 24. Turn off the vacuum before any adjustment, cleaning, maintenance or troubleshooting.
 25. During cleaning or routine maintenance, **DO NOT** cut anything other than hair, fibers, or string wrapped around the brushrolls.
 26. Allow all filters to air-dry completely before replacing them in the vacuum to prevent liquid from being drawn into electric parts.
 27. **DO NOT** modify or attempt to repair the vacuum or the battery yourself, except as indicated in this manual. **DO NOT** use the battery or vacuum if it has been modified or damaged. Damaged or modified batteries may exhibit unpredictable behavior resulting in fire, explosion, or risk of injury.
 28. Always turn off this appliance before connecting or disconnecting motorized nozzle or hand tool.
- #### BATTERY PACK
29. The battery is the power source for the vacuum. Carefully read and follow all charging instructions.
 30. To prevent unintentional starting, ensure it is powered off before picking up or carrying the vacuum. **DO NOT** carry the appliance with your finger on the power switch.
 31. For BU3120 and BU3500 series please use battery pack XBTR625KSLN. For charging, please use charger dock XDCKBU3500S or chargers DK25A-263080H-U or YLS0251A-T263080.
 32. Keep the battery away from all metal objects such as paper clips, coins, keys, nails, or screws. Shorting the battery terminals increases the risk of fire or burns.
 33. Under abusive conditions, liquid may be ejected from the battery. Avoid contact with this liquid, as it may cause irritation or burns. If contact occurs, flush with water. If liquid contacts eyes, seek medical help.
 34. Battery should not be stored at temperatures below 3°C (37.4°F) or above 104°F (40°C) to maintain long-term battery life.
 35. **DO NOT** charge battery at temperatures below 5°C (40°F) or above 104°C (104°F). Charging improperly or at temperatures outside of the specified range may damage the battery and increase the risk of fire.
 36. Store the appliance indoors. **DO NOT** use or store below 3°C (37.4°F). Ensure the appliance is at room temperature before operating.
 37. **DO NOT** expose the battery to fire or temperatures above 265°F (130°C) as it may cause explosion.
 38. Use appliances only with specifically designated battery packs. Use of any other battery packs may create a risk of injury and fire.
 39. Disconnect the battery pack from the appliance before making any adjustments, changing accessories, or storing appliance. Such preventive safety measures reduce the risk of starting the appliance accidentally.
 40. **CAUTION:** Because of generational update to BU3120 please read the following notes: Remove the battery pack, and check the rating voltage and battery pack model. If the rating voltage is 18V or the battery pack model is XBATR525SL, please use battery pack XBATR525SL and use charging dock: XDCKBU3000S or charger: DK18-22080H-UU or YLS0251A-T220080 for charging.
 41. If the charging cord plug does not fit fully into the outlet, reverse the plug. If it still does not fit, contact a qualified electrician. **DO NOT** force into outlet or try to modify to fit.
 42. To reduce the risk of shock and unintended operation, turn off power and remove the Li-Ion battery before servicing.



READ AND SAVE THESE INSTRUCTIONS

VISIT qr.sharkclean.com/bu3000seriesmanual OR

SCAN HERE

FOR FULL INSTRUCTIONS & REPLACEMENT PARTS

Please be sure to read and save the warnings on other side prior to using your unit.

QUICK START GUIDE

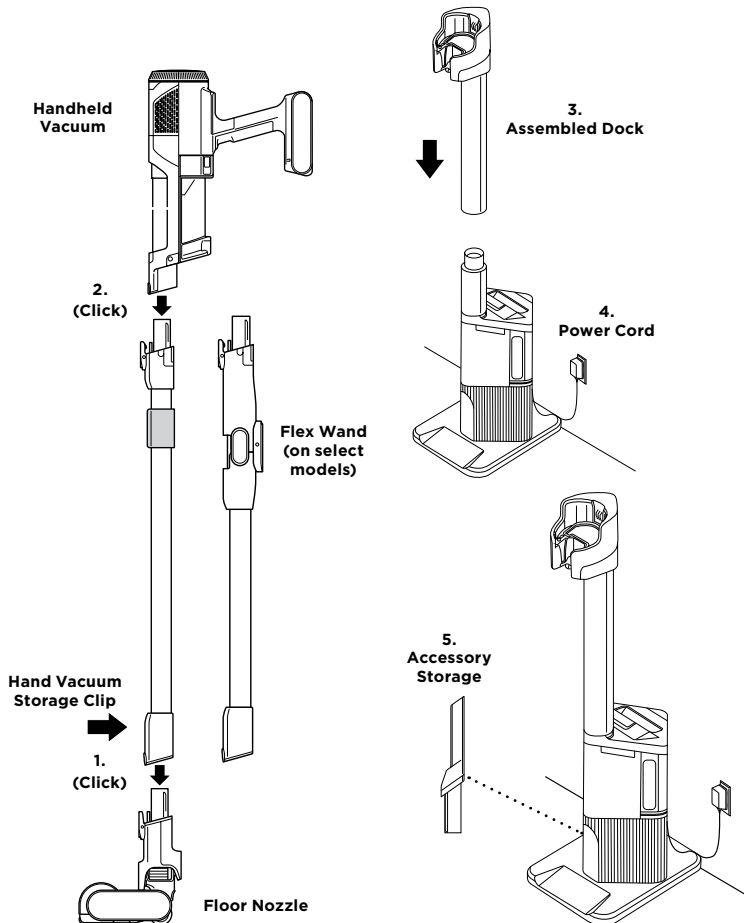


How to set up the Shark® Cordless Clean & Empty Stick Vacuum + Auto-Empty System BU3000 Series

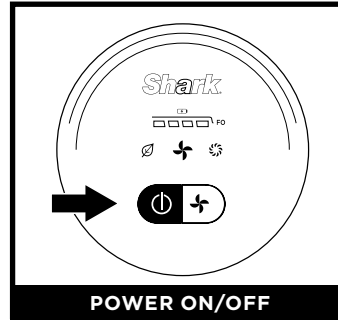
ASSEMBLY

1. Slide the **Wand** onto the neck of the **Floor Nozzle** until it clicks into place.
2. Align the **Hand Vacuum** nozzle opening with the top of the wand and slide it on until it clicks into place.
3. Make sure the **Dock** is facing upright. Slide the **Charging Post** into the slot on front of dock until it clicks.
4. Place the dock on the floor near a wall outlet. Plug the **Power Cord** into an outlet.
5. Store the Crevice Tool accessory on the mount on the dock.

For proper operation, ensure all components are completely connected and clicked into place.

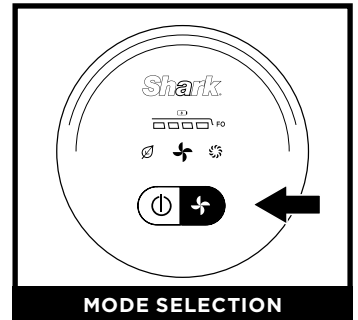


SETTINGS



POWER ON/OFF

Press the **On/Off** button to turn on power. To turn off power, press the button again.



MODE SELECTION

To toggle between ECO, AUTO, and BOOST modes, press the mode selection button.

MODES EXPLAINED

AUTO mode:

Automatically adjusts to different floor types, with brushroll speed optimized for deep carpet cleaning. When on bare floor, the indicator light on the nozzle will be BLUE. On carpet, the light will be MAGENTA.

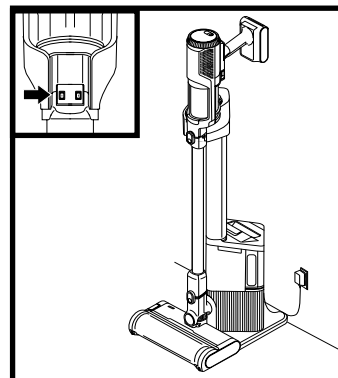
ECO mode:

Vacuum runs on the lowest power setting to preserve battery life. AUTO mode is **NOT** activated in this mode. The light on the nozzle will be BLUE when in ECO mode.

BOOST mode:

Vacuum runs at maximum power for the highest possible suction level. AUTO mode is **NOT** activated in this mode. The light on the nozzle will be MAGENTA when in BOOST mode.

USING THE AUTO-EMPTY DOCK



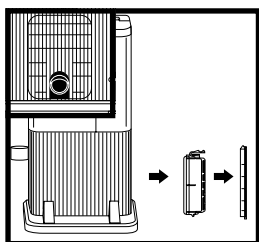
1. Place the vacuum on the dock with the wand in the cradle of the charging post. When the vacuum is properly docked, automatic evacuation will begin.
2. Once evacuation is complete, the vacuum will continue charging until it is removed from the dock.

IMPORTANT NOTE: Your battery will arrive with a 30% charge right out of box. To ensure best battery performance, charge battery fully before first use.

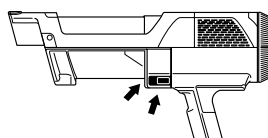
ESSENTIAL MAINTENANCE

CLEANING THE FILTERS

Regularly rinse and replace the filters in the hand vacuum and dock to maintain your vacuum's suction power. To clean filters, rinse them with water only. Allow all filters to air-dry completely for up to 48 hours before reinstalling to prevent liquid from being drawn into electric parts. Clean the pre-motor filters at least once a month and HEPA filter at least once a year. Tap off loose dirt between washes when needed. More frequent cleaning may sometimes be necessary with heavy use. Please refer to the Owner's Guide for more information on filter maintenance.



To access the dock filter, remove the filter door. Press the button at the bottom of the door, tilt the door and lift it off, then remove the filter. Rinse the filter with cold water ONLY. Do not use soap. Allow the filter to air-dry completely, then reinstall it by reinserting it into the dock and replacing the filter door.

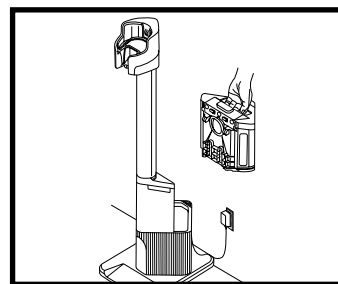


To access the hand vacuum filter, press the release buttons to remove the dust cup, then remove the filter from the housing.

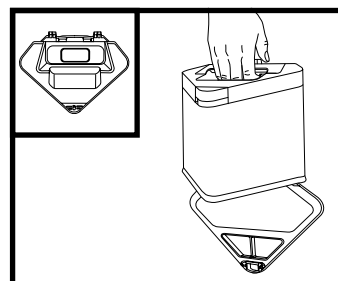
Note: Dust cup must be open to remove.

IMPORTANT: DO NOT use soap when cleaning the filters. Use water only. The vacuum will not have suction if the post-motor filter is not installed. Ensure that all filters are installed before using.

EMPTYING THE DOCK DUST BIN



The dock dust bin holds up to 30 days' worth of dust and debris. You can view how full the dust bin is by checking the window on the dock. To ensure peak performance of the dock, empty the dust bin when the debris reaches the Max Fill line.



To remove the bin, press the release button and lift the bin out by the handle. To empty the bin, hold it over the trash and press the release button located on the top face of the bin. The bottom will open to release the debris.