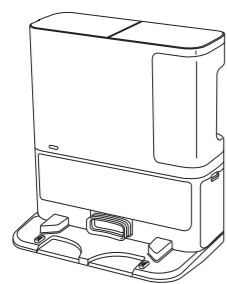


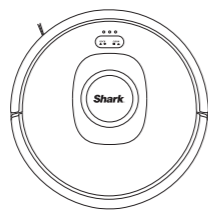
# Shark

RV2360S Series

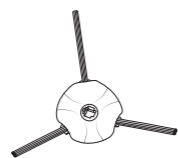
## WHAT'S INCLUDED:



Self-Empty Base (1x)



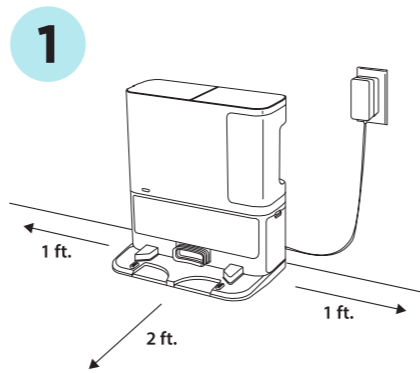
Robot (1x)



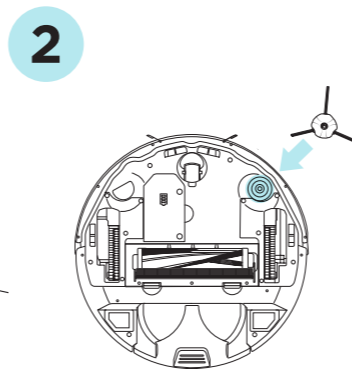
Side Brush (quantity varies)

## LET'S GET CLEANING

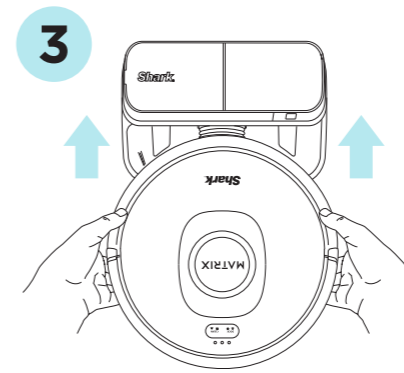
Remove all parts and accessories from the box and discard any protective plastic before set-up.



1 Plug in Your Base



2 Flip robot over and install side brush by aligning with peg and clicking into place



3 Align Charging Contacts and Slide onto Base

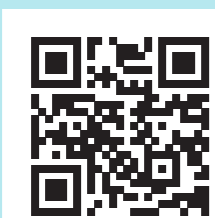


Download & Explore the SharkClean App



4 Get Cleaning!

FOR ASSISTANCE, PLEASE CALL OUR DEDICATED TEAM AT **+1-888-668-9600** OR SCAN:



- Getting Started Video
- How-To Videos
- Full Instructions
- Troubleshooting and FAQs
- Maintenance
- Replacement Parts

To learn more about your robot visit [sharkclean.com/support](https://sharkclean.com/support)

## HELPFUL HINTS

### Base Set-Up

- Place the base on a flat, level **hard floor surface** in a location with a strong Wi-Fi signal.
- Make sure the base has at least 2 feet of clearance in front and 1 foot on both sides.
- Plug in the base. The LED will turn green when it is powered on.

### Robot Install

Orient the robot to align its charging contacts with the base charging contacts. The base LED will be solid blue when the robot is charging.

### Auto Evacuation

After 10-15 seconds on the base, your robot will begin to evacuate into the base. This is normal for your self-empty base.

### Wi-Fi Connection

Hold down the **DOCK** button on the robot for 5-7 seconds to activate pairing mode.

© 2025 SharkNinja Operating LLC. SHARK is a registered trademark of SharkNinja Operating LLC. APPLE, the Apple logo, and iPhone are trademarks of Apple Inc., registered in the U.S. and other countries. APP STORE is a service mark of Apple Inc., registered in the U.S. and other countries. GOOGLE, GOOGLE ASSISTANT, GOOGLE PLAY, the Google Play logo, and Android are trademarks of GOOGLE LLC.

RV2360S\_PKG\_INSRT\_QSG\_REV\_MV3\_250402