

Shark.
HYDROVAC™
MESSMASTER™

Corded 3-in-1 Cleaner

WD160 Series

OWNER'S GUIDE



IMPORTANT SAFETY INSTRUCTIONS

FOR HOUSEHOLD USE ONLY.

READ ALL INSTRUCTIONS BEFORE USING THIS 3-IN-1 CLEANER

⚠ WARNING

To reduce the risk of fire, electric shock, injury, or property damage:

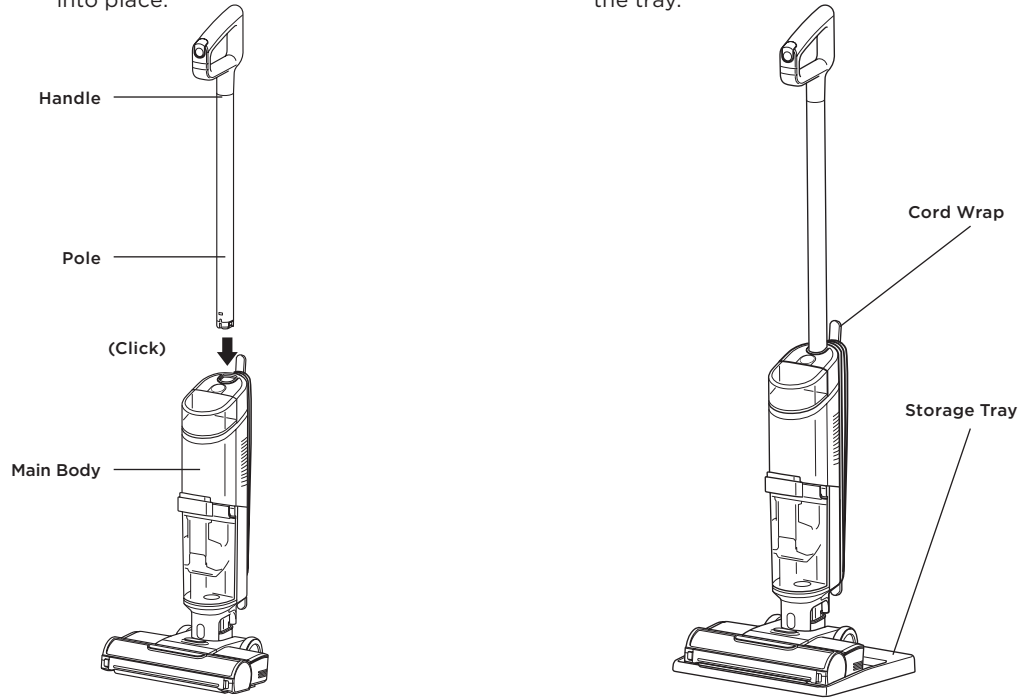
1. If the power cord plug does not fit fully into the outlet, reverse the plug. If it still does not fit, contact a qualified electrician. **DO NOT** force into outlet or try to modify to fit.
2. To reduce the risk of shock and unintended operation, turn off power before servicing.
3. This 3-in-1 Cleaner consists of a motorized nozzle, main body pole, and handle. These components contain electrical connections, electrical wiring, and moving parts that potentially present risk to the user.
4. Before each use, carefully inspect all parts for any damage. If a part is damaged, discontinue use.
5. Use only identical replacement parts.
6. **DO NOT** use the 3-in-1 Cleaner for any purpose other than those described in this Owner's Guide.
7. **DO NOT** immerse or spray water on the body of the 3-in-1 Cleaner. To clean the surface, wipe with a dry cloth.
8. Keep the 3-in-1 Cleaner and the dock's cord out of reach of children. **DO NOT** allow the appliance to be used by children. **DO NOT** allow to be used as a toy. Close supervision is necessary when used near children.
9. This appliance can be used by persons with reduced physical, sensory or mental capabilities or lack of experience or knowledge if they have been given supervision or instruction concerning use of the appliance in a safe way and understand the hazards involved. Cleaning and user maintenance shall not be done by children.
10. **DO NOT** handle plug or 3-in-1 Cleaner with wet hands.
11. **DO NOT** use without the dirty water tank, clean solution tank, filter, brushroll, and brushroll cover in place.
12. Use only identical replacement parts. Only use Shark® branded filters and accessories.
13. **DO NOT** put any objects into nozzle openings. **DO NOT** use with any opening blocked; keep free of dust, lint, hair, and anything that may reduce airflow.
14. **DO NOT** use if nozzle airflow is restricted. If the air paths or the motorized floor nozzle become blocked, turn the 3-in-1 Cleaner off. Remove all obstructions before you turn on the unit again. Keep nozzle and all 3-in-1 Cleaner openings away from hair, face, fingers, uncovered feet, or loose clothing. See "Maintaining Your 3-in-1 Cleaner / Checking for Blockages for more information.
15. **DO NOT** use if 3-in-1 Cleaner is not working as it should, or has been dropped, damaged, left outdoors, or dropped into water.

16. Use extra care when cleaning on stairs.
17. **DO NOT** leave the 3-in-1 Cleaner unattended while powered on.
18. When using on any surface, always keep the 3-in-1 Cleaner moving to avoid damaging the surface (e.g., carpet fibers).
19. **DO NOT** place 3-in-1 Cleaner on unstable surfaces such as chairs or tables.
20. **DO NOT** use to pick up:
 - a) Large objects
 - b) Hard or sharp objects (glass, nails, screws, or coins)
 - c) Large quantities of dust (e.g., drywall dust).
 - d) Smoking or burning objects (hot coals, cigarette butts, or matches)
 - e) Flammable or combustible materials (lighter fluid, gasoline, or kerosene)
 - f) Toxic materials (chlorine bleach, ammonia, or drain cleaner)
21. **DO NOT** use in the following areas:
 - a) Poorly lit areas
 - b) Outdoor areas
 - c) Spaces that are enclosed and may contain explosive or toxic fumes or vapors (lighter fluid, gasoline, kerosene, paint, paint thinners, mothproofing substances, or flammable dust).
22. Turn off the 3-in-1 Cleaner before any adjustment, cleaning, maintenance, or troubleshooting.
23. During cleaning or routine maintenance, **DO NOT** cut anything other than hair, fibers, or string wrapped around the brushroll.
24. Allow all filters to air-dry completely before reinstalling them in the 3-in-1 Cleaner to prevent liquid from being drawn into electric parts.
25. **DO NOT** modify or attempt to repair the 3-in-1 Cleaner yourself. **DO NOT** use the 3-in-1 Cleaner if it has been modified or damaged.
26. Turn off all controls before unplugging.
27. Use only Shark brand cleaning fluids intended for use with this appliance to prevent internal component damage.

SAVE THESE INSTRUCTIONS

ASSEMBLY

1. Align the **Pole** with the opening in the **Main Body** and insert firmly until it clicks into place.
2. Place the **Storage Tray** on the floor near a wall outlet. Place the 3-in-1 Cleaner on the tray.



NOTE: To remove the handle, press the release button located on the back of the unit with a thin tool while pulling up on the handle.

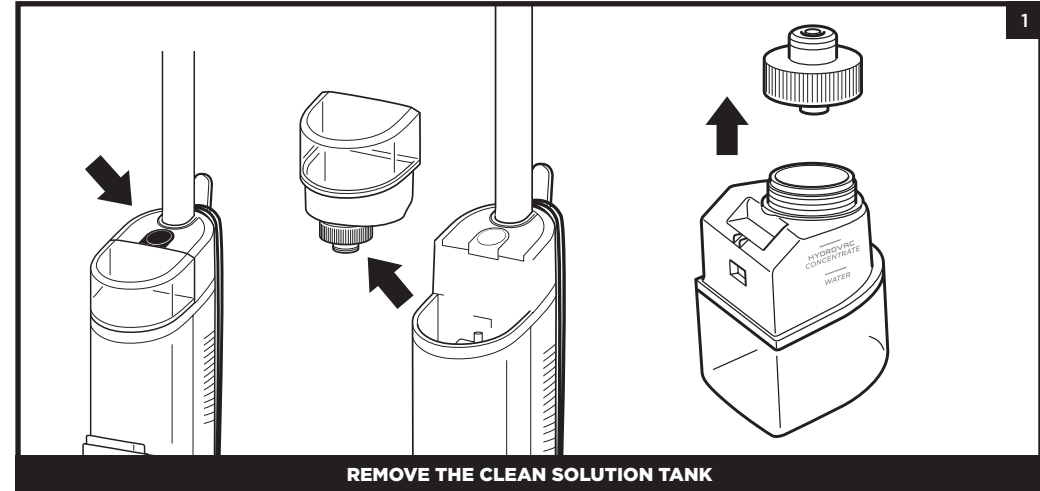
NOTE: When assembling your HydroVac, there may be a little water in or around the water tanks. This is because we test all our HydroVacs before you buy them to ensure the highest quality.

USING YOUR 3-IN-1 CLEANER

To use, unwrap the power cord from the back of the unit. Plug the prongs in to a safe outlet. Make sure the prongs are not wet before plugging into an outlet. When you are done cleaning, unplug the cord and wrap it around the cord-wrap hooks.

USING YOUR 3-IN-1 CLEANER

FILLING THE CLEAN SOLUTION TANK



Press the release button and lift off the **Clean Solution Tank**.



Unscrew the cap and add water to the tank, up to the WATER line. Next, add Shark HydroVac™ Multi-Surface Concentrate, filling to the HYDROVAC CONCENTRATE line. Replace the cap and reinsert the tank until it clicks into place. The top of the tank should be flush with the top of the body.

NOTE: Only use Shark HydroVac Multi-Surface Concentrate and water with this product.

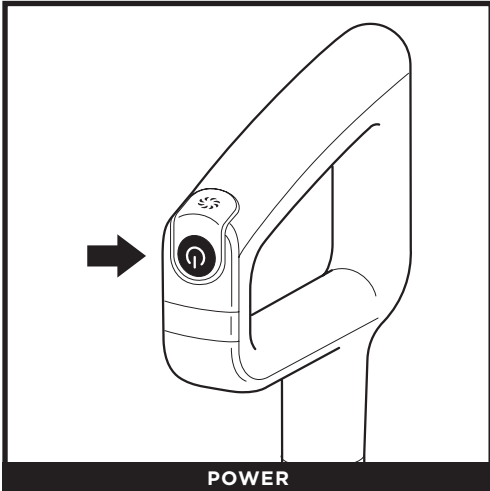
NOTE: If the clean solution tank is empty, the unit may make a pumping sound. This is normal. Refill the clean solution tank to continue.

NOTE: Be sure to not overfill the Clean Solution Tank with more HydroVac Multi-Surface Concentrate than instructed, as this may cause streaking.

NOTE: The 3-in-1 Cleaner will not run without sufficient water supply in the clean solution tank.

USING YOUR 3-IN-1 CLEANER

CONTROLS

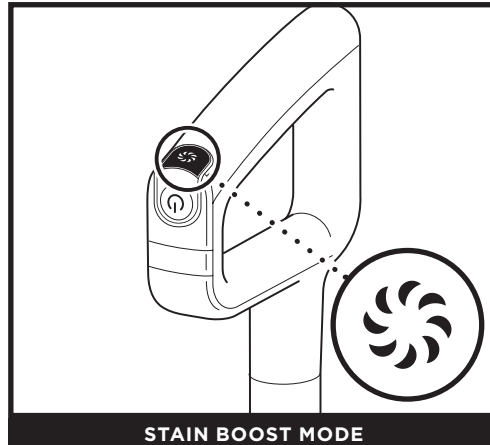


Press and release the **Power** button on the handle to turn on power. To turn off power, press the button again.

CLEANING MODES



Use Hard Floor mode for powerful cleaning on bare floors. To activate Hard Floor mode, turn on the unit and tilt the handle back.



To clean stains, press the Stain Boost icon on top of the handle. The Stain Boost light on the main body will illuminate. To turn off Stain Boost mode, press the button again.

NOTE: To prevent leakage, < place the main body on the floor. The nozzle should always be kept flat on the floor.

NOTE: If your floors are cloudy, streaky, or spotty after cleaning, it may be due to accumulated soap or grease residue. The floor may require several cleanings with the Hydrovac.

NOTE: If you encounter a difficult stain, use Stain Boost Mode for improved stain cleaning.

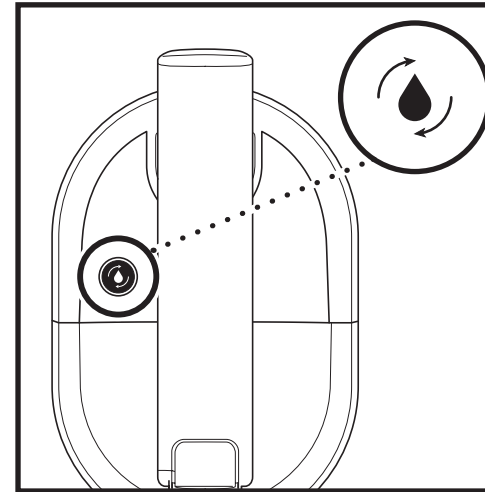
NOTE: If you encounter a stubborn odor on your floor or Stain Boost, continue to clean in Stain Boost Mode until the odor is gone.

MAINTAINING YOUR 3-IN-1 CLEANER

RINSE CYCLE

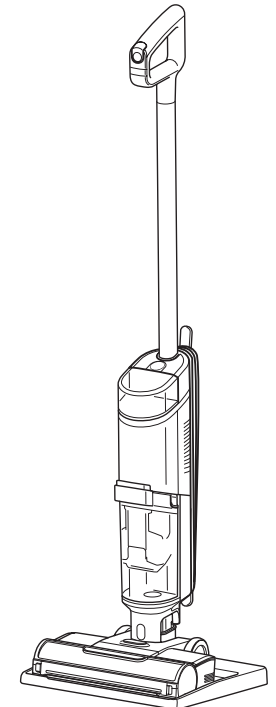
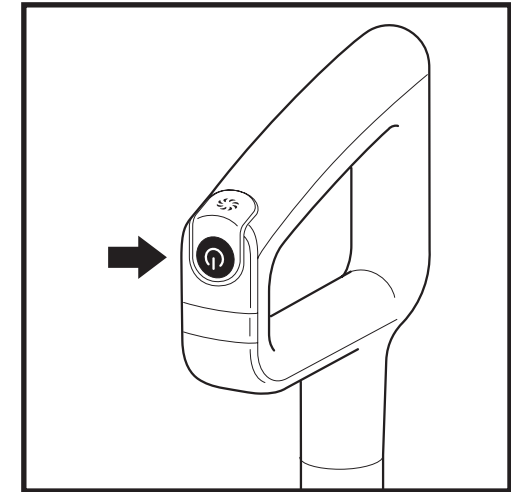
The Rinse Cycle automatically cleans the system and the brushroll.

Recommended after every use



RECOMMENDED AFTER EVERY USE

1. Place the unit on the Storage Tray. The Rinse Cycle icon located on the top of the main body will pulse.
2. Empty the **Dirty Water Tank** and make sure the clean solution tank is at least half full.
3. Press the **Power Button** to start the Rinse Cycle. The icon will illuminate for the full 2-minute duration of the cycle.
4. **DO NOT** remove the unit from the tray during the Rinse Cycle. The icon will turn off when the cycle is complete.
5. Empty the dirty water tank.

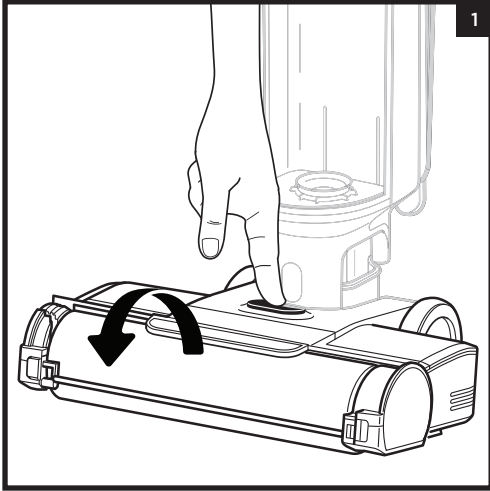


NOTE: Make sure the clean solution tank is at least half full and that the dirty water tank is empty before running the Rinse Cycle.

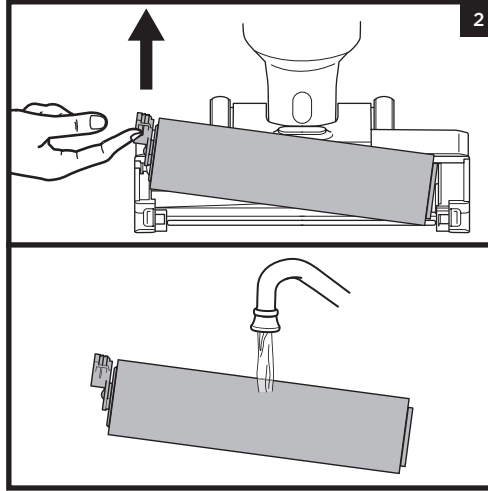
MAINTAINING YOUR 3-IN-1 CLEANER

MANUALLY CLEANING THE BRUSHROLL

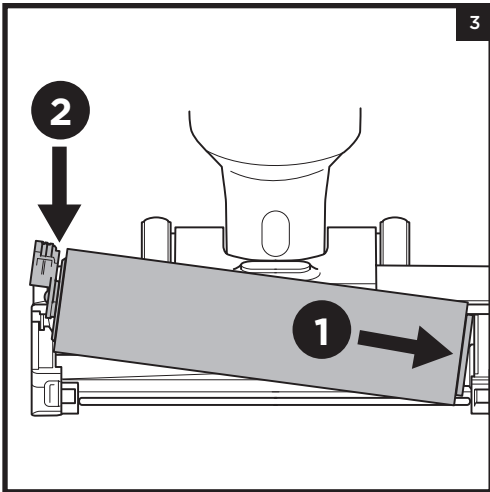
You can clean the brushroll by hand as an alternative to the Rinse Cycle, and to remove debris or hair wrapped around the brushroll.



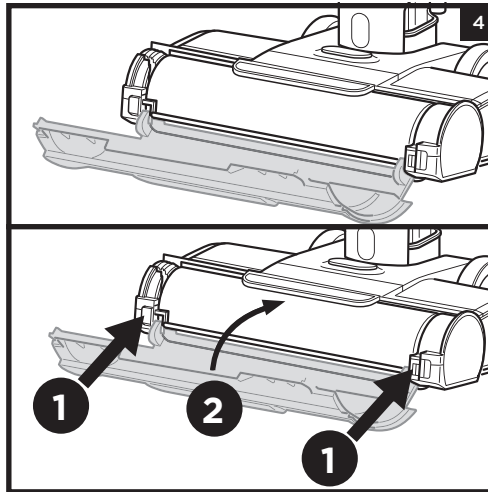
1. To access the brushroll, press the button on the top of the nozzle and lift off the brushroll cover.



2. Remove the brushroll by pulling up on the pull tab on the left side of the nozzle. Wipe away any debris stuck on the back wall. Wash thoroughly with warm water. Allow the brushroll to air-dry completely in a well-ventilated area for at least 24 hours.



3. Reinsert the brushroll by lining up the grooves on the end of the brushroll with the helix on the inner right side of the nozzle, then press down on the left side of the brushroll. When properly installed, the brushroll tab will be flush with the left side of the nozzle.

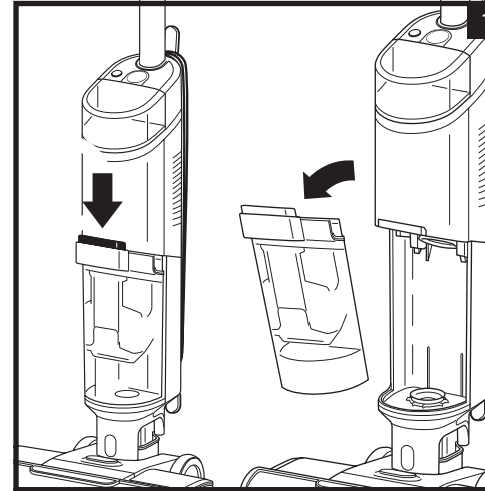


4. To reinstall the brushroll cover, insert the tabs on the cover into the slots on the nozzle. Press down on the cover until it clicks into place.

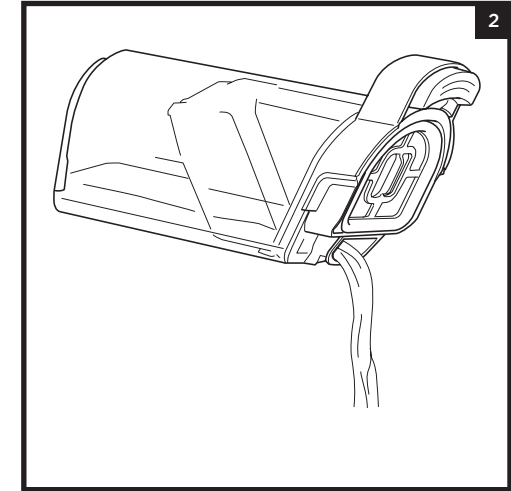
NOTE: Do not place brushroll in washing machine or dishwasher. Replace the brushroll after 6 months.

MAINTAINING YOUR 3-IN-1 CLEANER

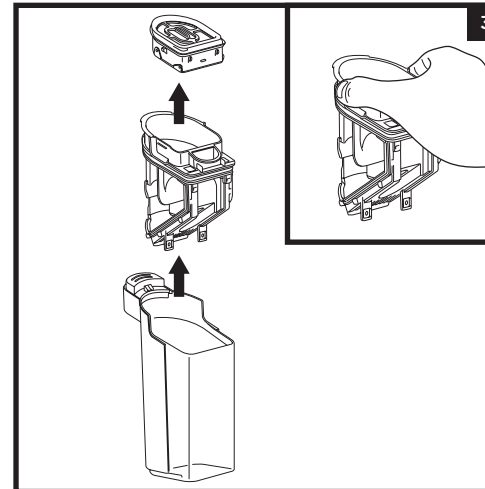
CLEANING THE DIRTY WATER TANK



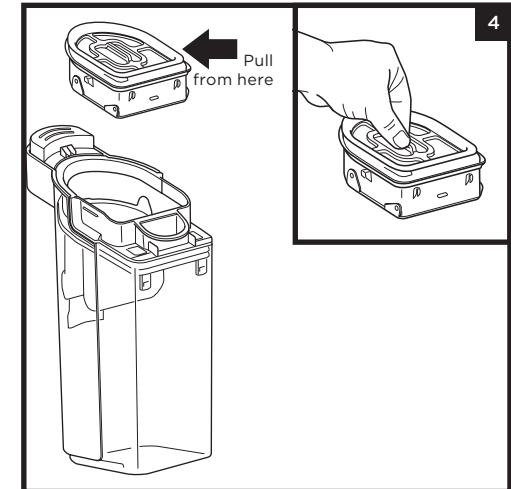
1. To remove the dirty water tank, press the release button and pull out the tank.



2. To dispose of liquid waste only, pour it out through the **Easy Pour** spout on the back of the dirty water tank.



3. To dispose of solid debris, lift out the **Solids Separator**. Grasp the recessed areas on the sides of the separator and lift it out. Empty the solid debris into the trash. If any liquid waste remains in the tank, pour it down a drain. To clean, rinse the separator and the tank with water.

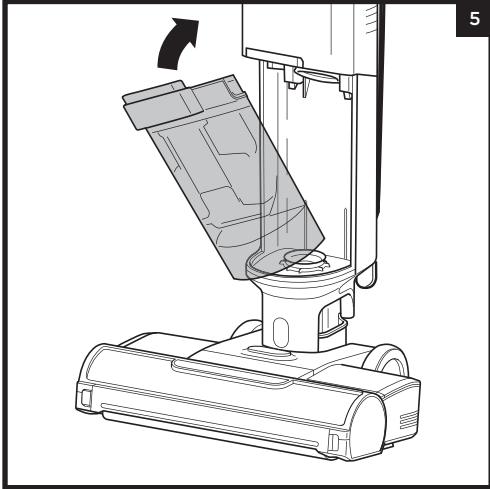


4. Clean the filter housing and the foam filter after every use. Pull out the foam filter and hand-wash with warm water and soap. Allow the foam filter to air-dry completely in a well-ventilated area for **24 hours** before reinstalling back into the unit.

NOTE: Replace the filter every **6 Months**.

NOTE: Do not place dirty water tank in washing machine or dishwasher.

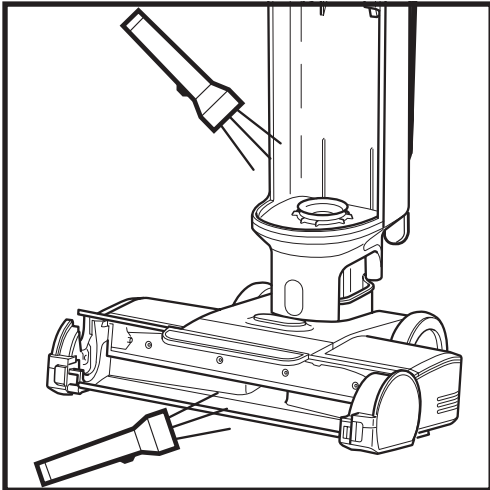
MAINTAINING YOUR 3-IN-1 CLEANER



5. After cleaning the dirty water tank and the solids separator, allow them to air-dry in a well-ventilated area for at least 24 hours. To reinstall the tank, insert the bottom into the opening in the main body, then tilt the tank back until it clicks into place.

CHECKING FOR BLOCKAGES

If you run over a hard or sharp object or notice a noise change while using your unit, check for blockages or objects caught in the brushroll, nozzle chamber, or inlet hose.



1. Turn off the power.
2. Remove the brushroll cover, brushroll, and dirty water tank.
3. Check the openings and remove all debris.
4. When finished, reinstall the brushroll and the cover.

MAINTAINING YOUR 3-IN-1 CLEANER

TROUBLESHOOTING

⚠ WARNING: To reduce the risk of shock and unintended operation, turn off power before servicing.

LED INDICATOR	WHAT IT MEANS	WHAT TO DO
<p>The Water Droplet LED is pulsing red.</p>	The dirty water tank is full.	Empty the fluid in the dirty water tank. *If this is a false error, remove solids separator and clean completely. Allow part to dry for 24 hours or dry manually.
<p>The Water Droplet LED is pulsing aqua.</p>	The clean solution tank is empty.	Fill the clean solution tank. Refer to the "Filling the Clean Solution Tank" section.
<p>The Stain Boost icon and the three water droplet lights are flashing red at the same time.</p>	Brushroll cover is not installed properly.	Refer to the "Cleaning the Brushroll" section, step 4
<p>The Stain Boost icon and the three water droplet lights are flashing red out of sync.</p>	The brushroll is jammed.	Turn off the power before cleaning the brushroll and any debris that may be causing the jam. Refer to the "Cleaning the Brushroll" section.
<p>Rinse Cycle icon and droplets are flashing blue.</p>	Not enough solution to run Rinse Cycle.	Fill clean solution tank to allow Rinse Cycle to run.
<p>Rinse Cycle icon and droplets are flashing red.</p>	Dirty water tank is full and preventing Rinse Cycle to run.	Empty dirty water tank to allow Rinse Cycle to run.

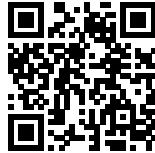
NOTE: If 3-in-1 Cleaner still does not operate properly, contact Customer Service at 1 800 798 7398 or sharkclean.com/support

Ordering Refills and Parts

Replace the filter and brushroll every 6 months.

Only use Shark HydroVac Concentrate, or water with the Shark HydroVac.

To order brushrolls, filters and Shark HydroVac Multi-Surface Concentrate, please visit sharkclean.com or scan the QR code below.



THREE (3) YEAR LIMITED WARRANTY

The Three (3) Year Limited Warranty applies to purchases made from authorized retailers of **SharkNinja Operating LLC**. Warranty coverage applies to the original owner and to the original product only and is not transferable.

SharkNinja warrants that the unit shall be free from defects in material and workmanship for a period of three (3) years from the date of purchase when it is used under normal household conditions and maintained according to the requirements outlined in the Owner's Guide, subject to the following conditions and exclusions:

What is covered by this warranty?

1. The original unit and/or non-wearable parts deemed defective, in SharkNinja's sole discretion, will be repaired or replaced up to three (3) years from the original purchase date.
2. In the event a replacement unit is issued, the warranty coverage ends six (6) months following the receipt date of the replacement unit or the remainder of the existing warranty, whichever is later. SharkNinja reserves the right to replace the unit with one of equal or greater value.

What is not covered by this warranty?

1. Normal wear and tear of wearable parts (such as Shark Cleaner, Pad, etc.), which require regular maintenance and/or replacement to ensure the proper functioning of your unit, are not covered by this warranty. Replacement parts are available for purchase at sharkaccessories.com.
2. Any unit that has been tampered with or used for commercial purposes.
3. Damage caused by misuse (e.g., vacuuming up water or other liquids), abuse, negligent handling, failure to perform required maintenance (e.g., not cleaning the filters or not removing debris from the brushroll), or damage due to mishandling in transit.
4. Consequential and incidental damages.
5. Defects caused by repair persons not authorized by SharkNinja. These defects include damages caused in the process of shipping, altering, or repairing the SharkNinja product (or any of its parts) when the repair is performed by a repair person not authorized by SharkNinja.
6. Products purchased, used, or operated outside North America.

How to get service

If your appliance fails to operate properly while in use under normal household conditions within the warranty period, visit sharkclean.com/support for product care and maintenance self-help. Our Customer Service Specialists are also available at **1-800-798-7398** to assist with product support and warranty service options, including the possibility of upgrading to our VIP warranty service options for select product categories. So we may better assist you, please register your product online at registryyourshark.com and have the product on hand when you call.

SharkNinja will cover the cost for the customer to send in the unit to us for repair or replacement. A fee of \$25.95 (subject to change) will be charged when SharkNinja ships the repaired or replacement unit.

How to initiate a warranty claim


You must call **1-800-798-7398** to initiate a warranty claim. You will need the receipt as proof of purchase. We also ask that you register your product online at registryyourshark.com and have the product on hand when you call, so we may better assist you. A Customer Service Specialist will provide you with return and packing instruction information.

How state law applies

This warranty gives you specific legal rights, and you also may have other rights that vary from state to state. Some states do not permit the exclusion or limitation of incidental or consequential damages, so the above may not apply to you.

NOTES

REGISTER YOUR PURCHASE

 registeryourshark.com



RECORD THIS INFORMATION

Model Number: _____

Date Code: _____

Date of Purchase: _____
(Keep receipt)

Store of Purchase: _____

TIP: You can find the model and serial numbers on the QR code label on the bottom of the back of the 3-in-1 Cleaner.

TECHNICAL SPECIFICATIONS

Voltage: 120V ≈ 60Hz

Power: 200W

PLEASE READ CAREFULLY AND KEEP FOR FUTURE REFERENCE.

This Owner's Guide is designed to help you keep your Shark Hydrovac 3-in-1 Cleaner running at peak performance.

PLEASE READ CAREFULLY AND KEEP FOR FUTURE REFERENCE.

This Owner’s Guide is designed to help you get a complete understanding of your new Shark HydroVac™ MessMaster™ Corded 3-in-1 Cleaner.

SharkNinja Operating LLC
US: Needham, MA 02494
CAN: Ville St-Laurent, QC H4S 1A7
1-800-798-7398
sharkclean.com

Illustrations may differ from actual product. We are constantly striving to improve our products, therefore the specifications contained herein are subject to change without notice.

This product may be covered by one or more U.S. patents. See sharkninja.com/patents for more information.

All testing on carpet (e.g., per ASTM-F608) shall be conducted in Stain Boost mode.

© 2024 SharkNinja Operating LLC. SHARK is a registered trademark of SharkNinja Operating LLC. MESSMASTER and SHARK HYDROVAC are trademarks of SharkNinja Operating LLC.

WD160Series_IB_MP_Mv2



@sharkcleaning